

BC LINE

RECHARGEABLE POOL & SPA VACUUM
WIEDERAUFLADBARER POOL & SPA VAKUUM
ASPIRATEUR RECHARGEABLE POUR PISCINE ET SPA
ASPIRACIÓN RECARGABLE PARA PISCINA Y SPA
ASPIRATORE PER PISCINA E SPA RICARICABILE
OPLAADBARE BODEMZUIGER EN SPA
UPPLADDNINGSBAR POOL & SPA VAKUUM
LADATTAVA POOL & SPA PÖLYNIMURI
OPPLADBART BASSENG OG SPA-VAKUUM
PISCINA RECARREGÁVEL E ASPIRAÇÃO DE SPA
ПЕРЕЗАРЯЖАЕМЫЙ БАСЕЙН И СПА-ВАКУУМ
NABÍJECÍ BAZÉNOVÝ A LÁZEŇSKÝ VYSAVAČ
BC30



**USER MANUAL
BEDIENUNGSANLEITUNG
MANUEL D'UTILISATION
MANUAL DE USUARIO
MANUALE DELL'UTENTE
HANDLEIDING**

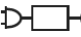
**ANVÄNDARHANDBOK
KÄYTTÖOHJE
BRUKSANVISNING
MANUAL DE UTILIZADOR
РУКОВОДСТВО ПОЛЬЗОВАТЕЛЯ
UŽIVATELSKÝ MANUÁL**

SAFETY WARNINGS & INSTRUCTIONS

Information contained in this Instruction Manual will help you operate the item safely, protect yourself and others from hazards, and prevent damage to the device and other property.

SAVE THESE INSTRUCTIONS

WARNING!

- This is not a TOY. Children should be kept out of reach from this pool vacuum and its accessories.
- Never allow children to operate this pool vacuum.
- This appliance is not intended for use by persons with reduced physical, sensory, mental capabilities, or a lack of experience and knowledge, unless they are given supervision or instructions concerning the safe use of the appliance and understand the hazards involved by a person responsible for their safety.
- Children must not play with this product.
- Cleaning and maintenance of the pool vacuum must not be carried out by children.
- Make sure the pool vacuum is fully immersed in the pool before initiating operation. The minimum water level required to operate the pool vacuum must reach above the power ON/OFF switch of the pool vacuum when it is held in a vertical position. Operating the pool vacuum when it is not immersed correctly could damage the unit and void the warranty.
- Maximum operating depth in water is 3 meters (9.8ft).
- Maximum water temperature: 5°C (41°F) – 35°C (95°F)
-  Detachable supply unit (external adaptor).
- The pool vacuum should only be recharged with the external adaptor and charging base delivered with this product.
- For the purposes of recharging the battery, only use the detachable supply unit (external adaptor model number: DSS12D-0841000-B / DSS12D-0841000-C / DSS12D-0841000-D/ LX084100U) that provided with this pool vacuum to charge the battery.
- Connect the external adaptor to a power source through a residential current device (RCD) / a ground fault circuit interrupter (GFCI). If in doubt, consult a qualified electrician.
- Do not use this pool vacuum if any damage is detected.
- Replace damaged parts with ones that are certified by the distributor or manufacturer.
- Turn off the power, disconnect the external adaptor from the power source, and unplug the external adaptor from the charging base before detaching the pool vacuum from the charging base.
- Disconnect the pool vacuum from the supply mains and make sure the pool vacuum is OFF prior to carrying out regular maintenance – such as cleaning the filter and the charging contact plates.
- Do not attempt to replace the installed rechargeable Li-ion battery pack.

- DO NOT handle the pool vacuum, external adaptor, and charging base while it is charging with wet limbs and without shoes.
- You should not operate this pool vacuum when people/pets are present in the water.
- DO NOT use this pool vacuum without an intact filter cage in place, as your warranty will be voided as a result.
- Suction entrapment hazard: This pool vacuum generates suction. Do not allow hair, body, or any loose parts of your clothing to make contact with the suction hole of the pool vacuum during its operation.
- Never insert body parts, clothing or other objects into the openings and moving parts of the pool vacuum.
- DO NOT use this pool vacuum to pick up any toxic substance, flammable, and combustible liquids (i.e. gasoline) in the presence of explosive or flammable fumes.
- Under no circumstances should you attempt to disassemble the pool vacuum and replace the impeller, motor, and battery by yourself.
- Never insert fingers or any object to touch the impeller.
- The built-in battery must be removed by a skilled technician before it is scrapped.
- This pool vacuum contains a battery that are only to be removed by skilled persons.
- The pool vacuum must be disconnected from the supply mains as the battery is removed.
- For details regarding battery recycling/disposal, refer to the section "BATTERY DISPOSAL" in this manual and contact your local authorities for more information.
- The battery must be disposed safely in accordance with local ordinances or regulations.

- External adaptor and charging base:
 - Never use the external adaptor and charging base for anything other than charging the battery of the pool vacuum that is supplied in the same pack.
 - The external adaptor and charging base should not be used outdoors, nor should it be exposed to rain, humidity, and any liquid or heat.
 - The transformer (or external adaptor) is to be located outside zone 1
 - Keep the external adaptor and charging base out of reach of children.
 - Never use the external adaptor and charging base if any damage is detected.
 - DO NOT handle the external adaptor and charging base with wet hands.
 - DO NOT handle the pool vacuum, external adaptor, and charging base while charging with wet hands and without shoes.

- Keep the external adaptor disconnected from power when it is not in use.
- Never attempt to open the external adaptor and charging base.
- If the supply cord of the external adaptor is damaged, the external adaptor must be replaced by the manufacturer or its service agent to prevent hazards of any kind.
- Make sure the pool vacuum and the charging base are completely dry before charging.

CAUTION!

- This pool vacuum is designed for underwater use only; it is not an all-purpose vacuum cleaner. DO NOT attempt to use it to clean anything other than your pool / spa.
- Use only original accessories delivered with this product.
- DO NOT use this pool vacuum right after pool-shocking. It is recommended to leave the pool circulating for at least 24-48 hours.
- If you are planning on using the pool vacuum in a saltwater pool, make sure all salt are dissolved before deploying the pool vacuum.
- DO NOT use this pool vacuum with another automatic cleaner/cleaner simultaneously in the pool/spa.
- Avoid picking up hard, sharp objects with this product. They may damage the pool vacuum and filter.
- Exercise caution when cleaning pool stairs.
- To avoid damages to the external adaptor and charging base, do not attempt to carry the pool vacuum by the cord of external adaptor / charging base or pull the cord to disconnect it from the power source and charging base.
- Charge the pool vacuum indoor in a clean, dry area with good ventilation and an ambient temperature between 5°C (41°F) and 35°C (95°F).
- DO NOT leave the pool vacuum charged for over 10 hours.
- If the pool vacuum will not be used for an extended period, detach it from the charging base and use a damp cloth to clean and dry the pool vacuum and accessories. Make sure to charge the pool vacuum to about 30% to 50% of the battery capacity before it is stored. Store in a well-ventilated area away from sunlight, heat, ignition sources, pool chemicals, and children. Never leave the pool vacuum plugged in for long-term storage. Recharge the pool vacuum every three months.

Above warnings and cautions are not intended to incorporate all possible instances for risks and / or severe injuries. Pool / spa owners should always exercise extra caution and common sense when utilizing the product.

Remark: Product/parts photos/drawings in this manual are for demonstration only. Product/parts in photos/drawings may vary with the model purchased. Accessories / parts shown in this manual & parts diagram are not necessarily included with every model.

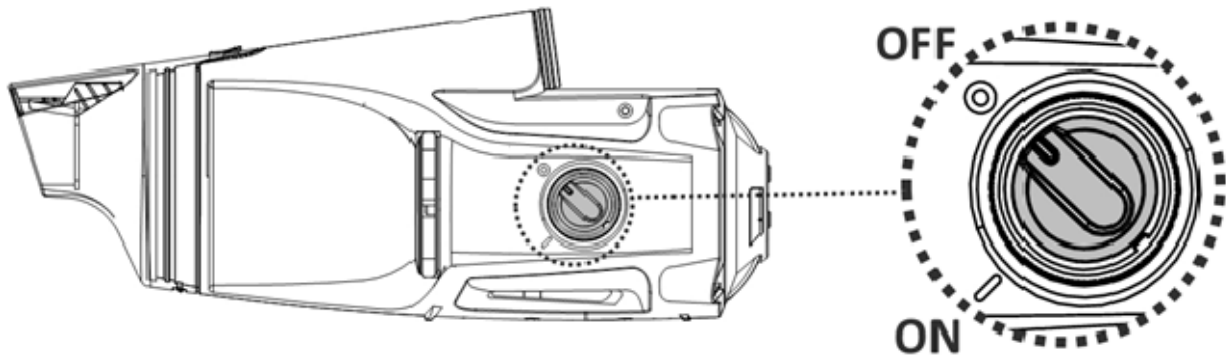
GETTING STARTED

Charging the battery

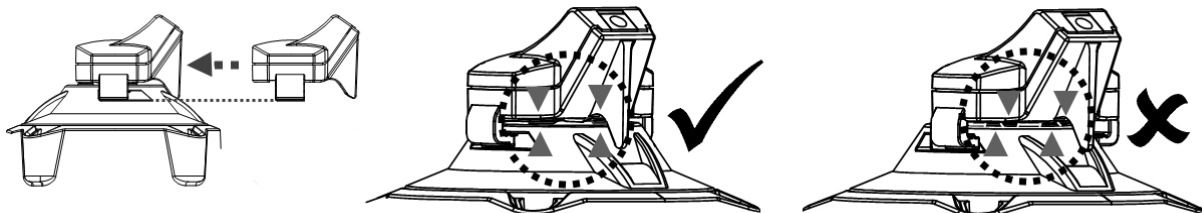
IMPORTANT NOTE: Fully charge the pool vacuum (about 6 hrs) before using it for the first time.

WARNING!

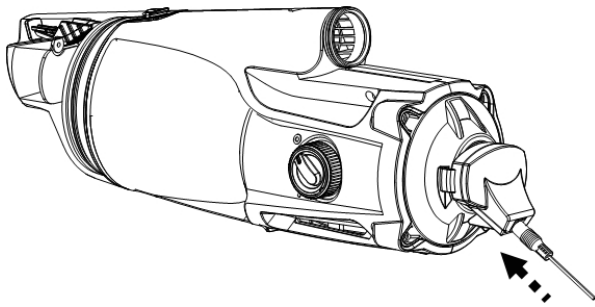
- Use only the original external adaptor and charging base provided.
 - Make sure the pool vacuum and the charging contact plates are clean and dry before set-up and charging. (TIPS: Use a cotton bud to dry the charging contact plates)
 - Charging must be done indoors, in a well-ventilated area away from sunlight, children, heat, ignition sources, and with an ambient temperature between 5°C (41°F) and 35°C (95°F).
 - Never use the external adaptor and charging base if any damage is detected.
 - The charging contact plates are waterproof. However, remnants of water on the contact plates could result in natural occurrence of stains (a byproduct of chemical reaction between water and electric currents). Otherwise, the stains can be removed by light scrubbing with a cotton bud soaked with juice of lemon or vinegar.
 - Make sure that the pool vacuum is turned off prior to charging.
1. Place the unit on a flat surface. Make sure the pool vacuum is off by turning the power ON/OFF switch to the OFF position prior to charging.



2. Align and slide the hook of the charging base onto the side notch at the bottom of the main body until it stops. Make sure their contact plates are properly in contact.



3. Plug the jack of the external adaptor into the charging port at the end of the charging base.



4. Connect the external adaptor to the power source. Once the pool vacuum begins charging, the indicator light on the external adaptor will turn red. Normally, it takes about 4-6 hours to reach a full charge. The indicator light will turn green when the pool vacuum is almost fully charged.

NOTE: if the motor is generating noise, ensure “OFF” is selected on the power switch.

- Immediately disconnect the external adaptor from the power source if you detect any of the following:
 - Offensive or unusual odor
 - Excessive heat
 - Deformation, cracks, leaks
 - Smoke

5. When charging is complete, disconnect the external adaptor from the power source and detach the charging base from the unit and external adaptor.

Normally, the pool vacuum can operate up to 30 minutes on a full charge (charged for 4-6 hours)

Note: Clean the filter cage regularly. Excessive debris inside the filter cage increases the burden to the motor operation and shortens the operating duration as a result.

FACT: Rechargeable lithium-Ion battery is classified as a consumable item. It has a limited life and will gradually lose its capacity to hold a charge. Therefore, running time of the pool vacuum will gradually reduce through repeated charging and discharging in operation.

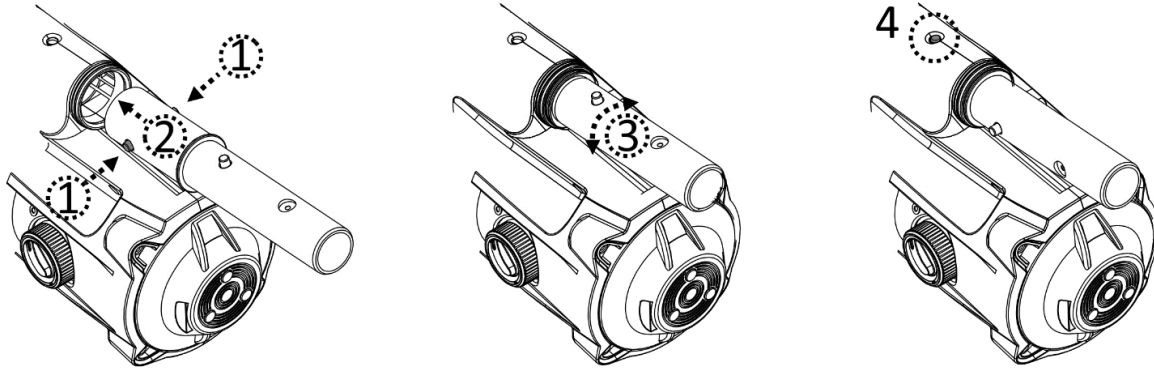
Once the lifespan of the battery reaches its end, refer to section “BATTERY DISPOSAL” for instructions regarding battery disposal.

NOTE: Let the pool vacuum rest for 30 to 40 minutes before charging it again.

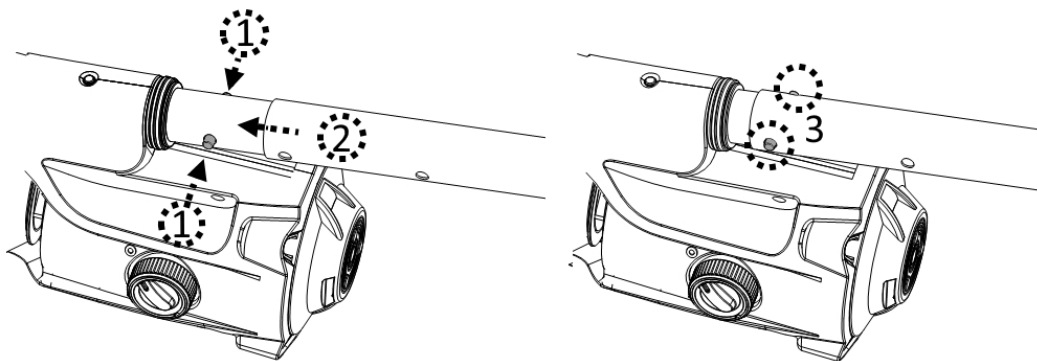
Set-Up Before Use

Telescopic pole (not included) assembly (only for EU & USA)

Press down the side pins of the telescopic pole connector and insert it inside the main body. Turn the connector in either direction until the pin is secured in the hole, as shown in the diagram.



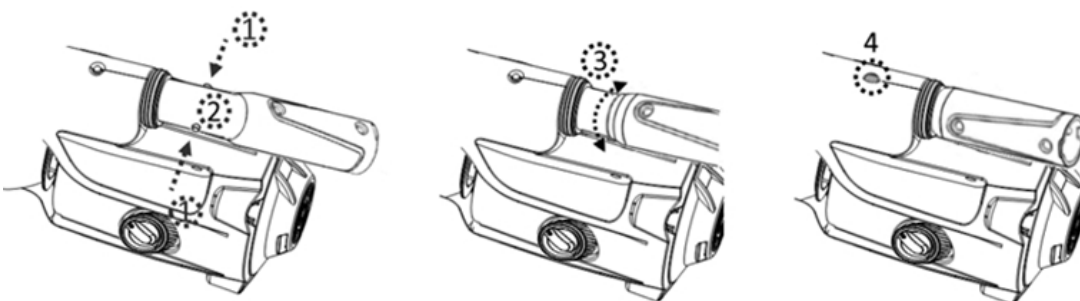
Slide the telescopic pole onto the pole connector. Press on the side pins of the connector and slide the telescopic pole further down until the pins of the connector are secured inside the holes of the pole.



To release the telescopic pole, press down the side pins simultaneously and pull out the pole.

Specific Telescopic pole (not included) assembly (only for Australia & New Zealand)

Insert the end (with two side pins) of the specific telescopic pole connector into the pool vacuum as shown until its side pins are secured to the pole connector's locking hole on the rear body. To install the specific telescopic pole (with internal wishbone clip) to the pole connector as shown:





Pool Preparation

- If there are stones, roots or metal corrosion in contact with the underside of the liner, discard them prior to using the pool vacuum. If necessary, seek assistance from a qualified professional.
- If the liner is brittle, damaged or wrinkled, contact a qualified professional to perform the necessary repairs or perform a liner replacement prior to using the pool vacuum.
- If you are using a saltwater pool, make sure all salt are dissolved before placing the pool vacuum into the water.

OPERATION

WARNING!

- Make sure the pool vacuum is off
- Do not use the pool vacuum if any damage is detected.
- Oil stain could occur due to possible leakage of lubricants applied to the O-ring.
- Do not operate this pool vacuum if there are people/pets present in the water.
- Make sure the pool vacuum is fully immersed in the pool before initiating operation. The minimum water level required to operate the pool vacuum must reach above the power ON/OFF switch of the pool vacuum when it is held in a vertical position. Operating the pool vacuum when it is not immersed correctly could damage the unit and void the warranty.
- DO NOT use the pool vacuum without an intact filter cage in place. Using your pool vacuum without an intact filter cage in place will VOID your warranty.
- DO NOT leave the pool vacuum in the water when it is not in use.

- 1) Bring your pool vacuum to the side of your pool / spa. Immerse the pool vacuum in water and turn the power ON/OFF switch to the ON position to initiate operation.

CAUTION! Make sure the pool vacuum is always facing downwards when it is placed into the pool. Otherwise it may bend the pole connector and damage it during the process.

- 2) To remove the pool vacuum from the pool / spa, lift the pool vacuum while pointing it downwards in order to allow water to escape from the water draining valve. Water is going to escape via the handle / pole connector and draining holes inside the handle chamber on the rear body.

CAUTION! Make sure the pool vacuum is always facing downwards when it is removed from the pool. Otherwise, the pole connector may be bent and damage the pool vacuum in the process.

- 3) Rinse the pool vacuum with fresh water after every use. DO NOT use any detergent.

EMPTYING THE FILTER

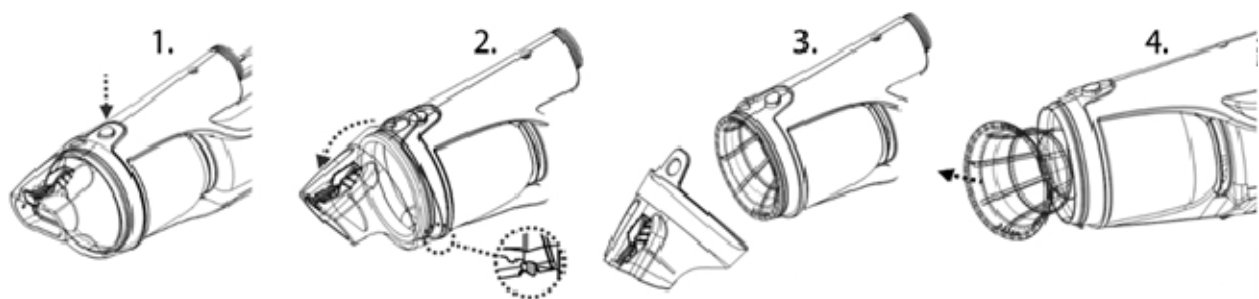
WARNING! Using the pool vacuum without a filter cage in place will **VOID** your warranty.

In order to maximize the cleaning efficiency, be sure to clean the filter cage before and after each use.

CAUTION! If the pool vacuum is charging, disconnect the external adaptor from the power source and detach the pool vacuum from the charging base. Make sure the pool vacuum is OFF

• Emptying the filter cage

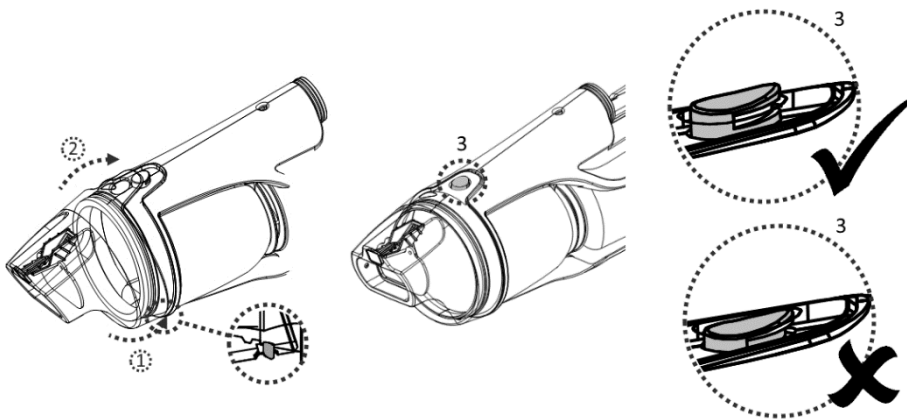
1. Place the pool vacuum on a stable surface.
2. Press the locking button until the locking hole on the clear canister is released. Slide the canister away until the notch on the bottom of canister opening is released from the hook on the bottom of main body. Remove the filter cage from the main body.



CAUTION! Replace the damaged filter cage immediately before the next operation.

3. Clean out the debris and rinse the filter cage with water. If brushing is deemed necessary, use only a soft brush to clean the filter cage gently and carefully.
4. Re-position the filter cage inside the main body. Make sure the filter cage is completely inserted inside the main body.

To re-install the canister, first align the notch of the canister with the hook on main body and then press the canister onto main body. Make sure the locking hole on the clear canister is secured with the locking button.



MAINTENANCE & STORAGE

NOTE:

1. Be sure to clean and dry the charging contact plates after every use to avoid the forming of stains (byproduct of a natural chemical reaction between electric current and water). Otherwise, the stains can be removed by light scrubbing with a cotton bud soaked with juice of lemon or vinegar.
2. Battery discharges on its own during storage. Make sure to charge the pool vacuum to about 30% to 50% of the battery capacity before it is stored.
3. You must re-charge the battery at least once every three months when it is not in use.
 - Unplug the external adaptor from socket and then unplug the adapter jack from the charging base.
 - Detach accessories from the pool vacuum. If necessary, rinse the pool vacuum and accessories with fresh water. **DO NOT** use detergent.
 - Make sure to drain the water from the unit, handle and pole connector.
 - Use a damp cloth to clean and dry the pool vacuum and its accessories.
 - Store them in a well-ventilated area away from the sunlight, children, heat, ignition sources, and pool chemicals. Ambient temperature for storage should be 10°C – 25°C (50°F – 77°F). NOTE: A higher temperature may reduce the battery life during storage.

WARNING!

- Never attempt in any way to disassemble the pool vacuum.
- Under no circumstances should you attempt to disassemble the pool vacuum and replace the impeller, motor and battery by yourself.

CAUTION!

- Excessive heat can damage the battery and reduce its lifespan as a result.

Consult your dealer regarding battery replacement if the following happens:

- Battery does not charge fully.
- Battery operation time is noticeably reduced. Observe and record the run times of the first few operations (on a full charge). Use these run times as a reference point for comparison with run times in the future.
- The battery must be removed from the pool vacuum before it is scrapped.
- The pool vacuum must be disconnected from the supply mains when removing the battery

- The battery is to be disposed safely and according to local ordinances or regulations.
NOTE: Incorrect maintenance may reduce the battery life and affect its capacity as a result.

BATTERY DISPOSAL (To be carried out by an authorized technician)

Your pool vacuum battery is a maintenance-free rechargeable lithium-ion battery pack, which must be disposed properly. Recycling is required; please contact your local authority for information.

WARNING! Never attempt to disassemble a battery pack

- Remove all personal items such as rings, bracelets, necklaces and watches when the battery pack is unwired from the pool vacuum.
- A battery can produce a short circuit current high enough to weld a ring (or similar item) to metal, causing a severe burn in the process.
- Wear complete eye protection, gloves and protective clothing when the battery pack is being removed.
- Avoid touching the wires altogether and avoid allowing them to make contact with any metal items, which could cause sparking and/or short circuit the battery.
- Never smoke or allow a spark or flame in the vicinity of the battery or the pool vacuum.
- Do not expose the battery to fire or intense heat as this may result in an explosion.
-

CAUTION!

If a battery leak occurs, avoid contact with the leaking fluids and place the damaged battery in a plastic bag.

- If leaking fluids come in contact with skin and clothing, wash immediately with plenty of soap and water.
- If leaking fluids come in contact with eyes, immediately flush eyes with cool running water for at least 15 minutes and do not rub them. Seek medical attention as soon as possible.

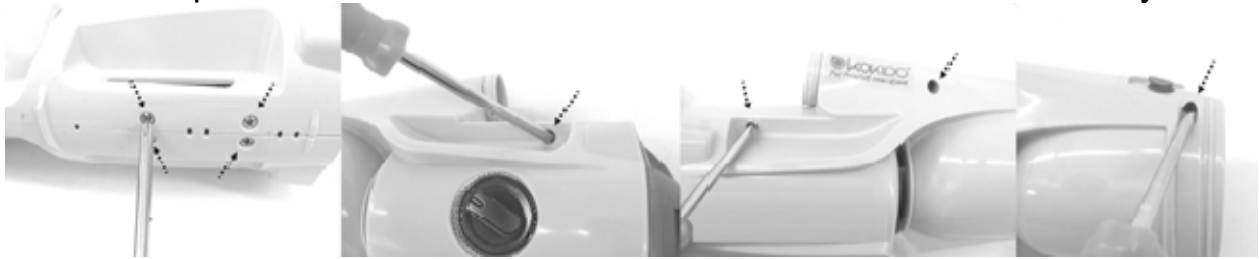
How to remove the battery pack for battery disposal only (To be done by authorized technician)

Recommended tools (not included): Philips screwdriver and small slot screwdriver

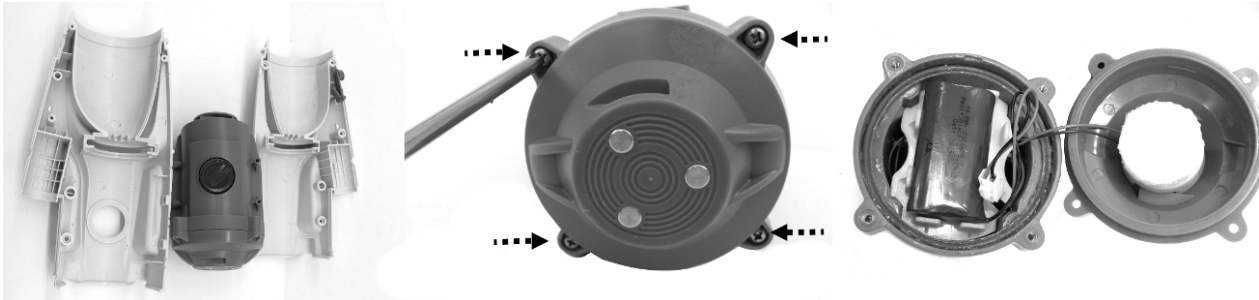
1. Press on the locking button and detach the clear canister from the body. Use a small screwdriver to detach the ring from the body. It is hard to detach the ring by screwdriver, use cutting plier to cut.



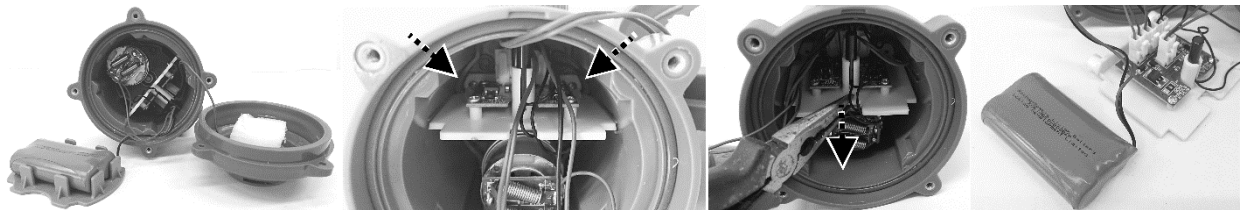
2. Use Philips screwdriver to unscrew all the screws on the main body.



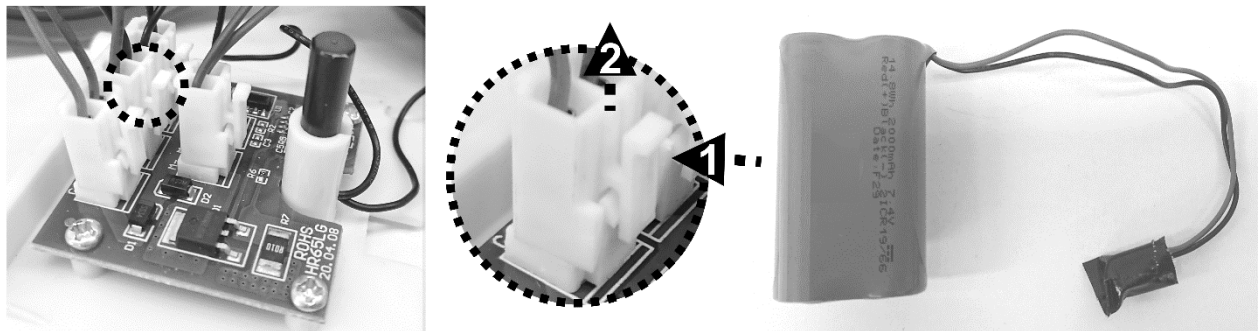
3. Separate the body in two halves to access the main chamber. Use a Philips screwdriver to remove the end cover and access the battery pack.



4. Use Philips screwdriver to unscrew screw on the corner of the supporting plate as pointed at. Use clamp to catch the plate and pull it out to expose the wire connectors on the PCB.





5. Locate the middle connector as indicated, press the clip on the connector and pull it out. NOTE: Wrap the connector immediately with insulating tape in order to avoid short circuit caused by the contact of both wire terminals.



TROUBLESHOOTING

Problem	Possible Cause	Solution
Pool vacuum does not capture debris	Battery is running out	Charge the battery again.
	Impeller is jammed	Power off the pool vacuum and visually check the gap in the middle of the pool vacuum to see if the impeller is jammed by large debris. If possible, use a small tool to remove the debris carefully. If necessary, contact your dealer for further instructions. WARNING! Make sure the pool vacuum is powered off when the unit is being serviced.
	Impeller is broken	Contact your dealer for impeller replacement.
	Filter cage is full	Clean the filter cage.
Debris escapes from the filter	Suction nozzle flap is broken	Suction nozzle flap works like a door to prevent debris from escaping from the filter. Contact dealer for replacement part and instructions.
	Filter cage is damaged.	Replace with a new filter cage.
	Outlet valve comes off.	Without the outlet valve, the pool vacuum might capture debris through this opening. Contact dealer for a valve replacement.
Telescopic pole connector cannot be secured in assembly	Side pin on pole connector is broken	Replace with a new pole connector.
Pool vacuum is activated even though the switch indicates it's off.	Presence of magnetic objects nearby has inadvertently switched on the motor.	Move the magnetic objects or vacuum away from each other.
Pool vacuum cannot be charged / recharged	Battery is damaged	Contact dealer for battery replacement. WARNING! DO NOT open the pool vacuum and replace the battery by yourself. This could result in severe or fatal injury and the warranty will be voided as a result.
	Charging plates on charging base and pool vacuum are not contacted properly	Make sure that the charging base is assembled on the pool vacuum completely and their contact plates are contacted properly
	External adaptor damaged	Contact dealer for replacement. WARNING! Using the wrong external adaptor will result in damaging the pool vacuum / battery and voiding the warranty as a result.
Operation time is shorter as expected	Battery is not fully charged	Charge the pool vacuum for at least 6 hrs. NOTE: if any stains are found on the charging contact plates, remove them by using a cotton bud soaked with lemon juice or vinegar

Environmental Programmes, WEEE European Directive

	Please respect the European Union regulations and help to protect the environment. Return non-working electrical equipment to a facility appointed by your municipality that properly recycles electrical and electronic equipment. Do not dispose them in unsorted waste bins. For items containing removable batteries, remove batteries before disposing of the product.
	© 2021 BWT Holding GmbH. 21010025 All rights reserved. No part of this document may be reproduced or transmitted in any form or by any means, electronic, mechanical, photocopying, recording, or otherwise, without prior written permission of BWT Holding GmbH. (V1)

If soft copy of this instruction manual is required, please contact our customer service by email.


SAVE THESE INSTRUCTIONS

SICHERHEITSWARNUNGEN UND -HINWEISE

Die in dieser Bedienungsanleitung enthaltenen Informationen helfen Ihnen, das Gerät sicher zu bedienen, sich und andere vor Gefahren zu schützen und Schäden am Gerät und anderem Eigentum zu vermeiden.

BEDIENUNGSANLEITUNG GUT AUFBEWAHREN

WARNUNG!

- Dies ist kein SPIELZEUG. Dieser Poolsauger und dessen Zubehörteile sind von Kindern fernzuhalten.
- Erlauben Sie den Kindern niemals die Bedienung des Poolsaugers.
- Dieses Gerät ist nicht für die Verwendung durch Personen mit eingeschränkten physischen, sensorischen oder geistigen Fähigkeiten oder fehlender Erfahrung und mangelndem Wissen bestimmt, es sei denn, sie wurden von einer für ihre Sicherheit verantwortlichen Person beaufsichtigt oder in die sichere Verwendung des Geräts eingewiesen und verstehen die vorhandenen Gefahren.
- Kinder dürfen nicht mit diesem Produkt spielen.
- Die Reinigung und Wartung des Poolsauger darf nicht von Kindern durchgeführt werden.
- Vergewissern Sie sich, dass der Poolsauger vollständig in den Pool eingetaucht ist, bevor Sie mit dem Betrieb beginnen. Der Mindestwasserstand, der zum Betrieb des Poolsaugers erforderlich ist, muss über den EIN/AUS-Schalter des Beckensaugers liegen, wenn dieser in vertikaler Position gehalten wird. Der Betrieb des Poolsaugers bei nicht ordnungsgemäßem Eintauchen könnte das Gerät beschädigen und zum Erlöschen der Garantie führen.
- Die maximale Betriebstiefe im Wasser beträgt 3 Meter (9.8 ft).
- Maximale Wassertemperatur: 5 °C (41 °F) – 35 °C (95 °F).
-  Abnehmbares Ladegerät (externer Adapter).
- Der Poolsauger sollte nur mit dem externen Adapter und dem mit diesem Produkt gelieferten Ladestation aufgeladen werden.
- Verwenden Sie zum Aufladen der Batterie nur die abnehmbare Stromversorgung (Modellnummer des externen Adapters: DSS12D-0841000-B / DSS12D-0841000-C / DSS12D-0841000-D/ LX084100U), die mit diesem Pool-Sauger geliefert wird.
- Verbinden Sie den externen Netzadapter über eine Fehlerstrom - Schutzeinrichtung, (RCD) / einen Fehlerstrom - Schutzschalter (RCCB) mit dem Netz. Ziehen Sie in Zweifelsfällen einen qualifizierten Elektriker zu Rate.
- Verwenden Sie diesen Poolsauger nicht, wenn irgendwelche Schäden festgestellt werden.
- Ersetzen Sie beschädigte Teile durch solche, die vom Händler oder Hersteller zertifiziert sind.
- Schalten Sie den Strom aus, trennen Sie den externen Adapter von der Stromquelle und ziehen Sie den externen Adapter vom Ladestation ab,

- bevor Sie den Poolsauger vom Ladestation ziehen.
- Schalten Sie den Poolsauger vom Versorgungsnetz ab und vergewissern Sie sich, dass der Poolsauger AUS ist, bevor Sie regelmäßige Wartungsarbeiten durchführen - wie z.B. die Reinigung des Filters und der Ladekontaktplatten.
 - Versuchen Sie nicht, den eingebauten wiederaufladbaren Li-Ionen-Akku zu ersetzen.
 - Fassen Sie den Poolsauger, den externen Adapter und den Ladestation NICHT mit nassen Gliedmaßen und ohne Schuhe an, während er geladen wird.
 - Verwenden Sie diesen Poolsauger nicht, wenn sich Personen/Haustiere im Wasser befinden.
 - Diesen Poolsauger KEINESFALLS ohne intakten eingesetzten Filterkäfig verwenden, da ansonsten die Garantie erlischt.
 - Quetschgefahr durch Ansaugen: Dieser Poolsauger erzeugt Saugkraft. Vermeiden Sie, dass während des Betriebs des Poolsaugers Haare, Körperteile oder sonstige lose Kleidungsstücke in die Nähe der Saugöffnung gelangen.
 - Führen Sie unter keinen Umständen Körperteile, Kleidungsstücke oder sonstige Gegenstände in die Öffnungen und beweglichen Teile des Poolsaugers ein.
 - Verwenden Sie diesen Poolsauger NICHT, um toxische Substanzen, entzündliche und brennbare Flüssigkeiten (z. B. Benzin) in Gegenwart von explosiven oder entflammbaren Dämpfen aufzunehmen.
 - Sie sollten unter keinen Umständen versuchen, den Poolsauger auseinanderzubauen und das Flügelrad, den Motor oder die Batterie eigenhändig auszutauschen.
 - Führen Sie niemals Körperteile oder andere Gegenstände in das Laufrad ein, um das Laufrad zu berühren.
 - Die eingebaute Batterie muss von einem Fachmann entfernt werden, bevor sie verschrottet wird.
 - Dieses mit Poolsauger arbeitende Gerät enthält einen Akku, der nur von Fachpersonal entfernt werden darf.
 - Bevor der Akku entfernt wird, muss das Poolsauger von der Stromversorgung getrennt werden.
 - Einzelheiten zum Recycling bzw. zur Entsorgung des Akkus finden Sie im Abschnitt „ENTSORGUNG DES AKKUS“ in dieser Anleitung und wenden Sie sich für weitere Informationen an Ihre örtlichen Behörden.
 - Der Akku muss im Einklang mit den im Verwendungsland geltenden Vorschriften entsorgt werden.
- Externes Ladegerät und Ladestation:
- Verwenden Sie nie das externe Ladegerät und die Ladestation für einen anderen Zweck als das Aufladen der Batterie des im selben Pack gelieferten Poolsaugers.
 - Der externe Netzadapter und der Ladestation dürfen weder im Freien benutzt werden und dürfen weder Regen, Feuchtigkeit, Flüssigkeiten

- noch Hitze ausgesetzt werden.
- Der Transformator (bzw. der externe Adapter) muss außerhalb von Zone 1 aufgestellt werden.
- Halten Sie das externe Ladegerät und die Ladestation von Kindern fern.
- Verwenden Sie niemals das externe Ladegerät und die Ladestation, sollten Sie Schäden festgestellt haben.
- Handhaben Sie das externe Ladegerät und die Ladestation NICHT mit nassen Händen.
- Handhaben Sie den Poolsauger, den externen Stecker und die Ladestation während des Ladevorgangs NICHT mit nassen Händen und Barfuß.
- Trennen Sie das externe Ladegerät von der Stromversorgung, wenn es nicht verwendet wird.
- Versuchen Sie keinesfalls, das externe Ladegerät und die Ladestation zu öffnen.
- Wenn das Netzkabel des externen Adapters beschädigt ist, muss der externe Adapter durch den Hersteller oder seinen Kundendienstvertreter ersetzt werden, um Gefahren jeglicher Art zu vermeiden.
- Vergewissern Sie sich, dass Poolsauger und Ladestation vor dem Aufladen völlig trocken sind.

ACHTUNG!

- Dieser Poolsauger ist ausschließlich für den Unterwassergebrauch konzipiert. Es ist kein Allzweck-Staubsauger. Versuchen Sie NICHT, dieses Gerät zum Reinigen von etwas Anderem als Ihren Pool zu verwenden.
- Verwenden Sie ausschließlich das mit diesem Produkt gelieferte Originalzubehör.
- Verwenden Sie diesen Poolsauger NICHT unmittelbar nach einer Wasserbehandlung. Es wird empfohlen, das Poolwasser mindestens 24-48 Stunden umzuwälzen.
- Bei einem Salzwasserpool müssen Sie sich vergewissern, dass das Salz komplett gelöst ist, bevor Sie den Poolsauger ins Wasser setzen.
- Verwenden Sie diesen Poolsauger NICHT gleichzeitig mit einem anderen automatischen/manuellen Reingigungsgerät im Becken.
- Vermeiden Sie es, mit diesem Produkt harte, scharfe Gegenstände aufzusaugen. Sie können den Poolsauger und den Filter beschädigen.
- Lassen Sie bei der Reinigung von Pooltreppen Vorsicht walten.
- Um Beschädigungen des externen Adapters und der Ladestation zu vermeiden, versuchen Sie nicht, den Poolsauger am Kabel des externen Adapters/Ladestation zu tragen oder am Kabel zu ziehen, um ihn von der Stromquelle und der Ladestation zu trennen.
- Laden Sie den Poolsauger im Inneren in einem sauberen, trockenen und gut belüfteten Bereich bei einer Umgebungstemperatur zwischen 5 °C (41 °F) und 35 °C (95 °F) auf.
- Der Poolsauger DARF NICHT länger als 10 Stunden ununterbrochen aufgeladen werden.
- Ist über einen längeren Zeitraum keine Verwendung des Poolsaugers vorgesehen, nehmen Sie ihn aus der Ladestation und reinigen und trocknen Sie den Poolsauger und das Zubehör mit einem trockenen Tuch. Achten Sie darauf, den Poolsauger auf 30 - 50 % Akkukapazität aufzuladen, bevor er weggelegt wird. Lagern Sie das Gerät an einem gut belüfteten, vor Sonnenlicht, Hitze,

Zündquellen, Poolchemikalien und Kindern geschützten Ort. Lassen Sie den Poolsauger während einer Lagerung über einen längeren Zeitraum niemals angeschlossen. Laden Sie den Poolsauger alle drei Monate wieder auf.

Oben aufgeführte Warnungen und Vorsichtsmaßnahmen umfassen nicht alle möglichen Risiken und/oder schweren Verletzungsgefahren.

Pool/Spa-Eigentümer sollten bei der Verwendung des Produkts stets zusätzliche Vorsicht und gesunden Menschenverstand walten lassen.

Kommentare: Produkte/Teile auf den Fotos/Zeichnungen in dieser Anleitung dienen nur zur Veranschaulichung. Produkte/Teile auf den Fotos/Zeichnungen können beim gekauften Artikel variieren. Das in dieser Anleitung gezeigte Zubehör/Teile, und die Teileübersicht sind nicht unbedingt in jedem Modell enthalten.

ERSTE SCHRITTE

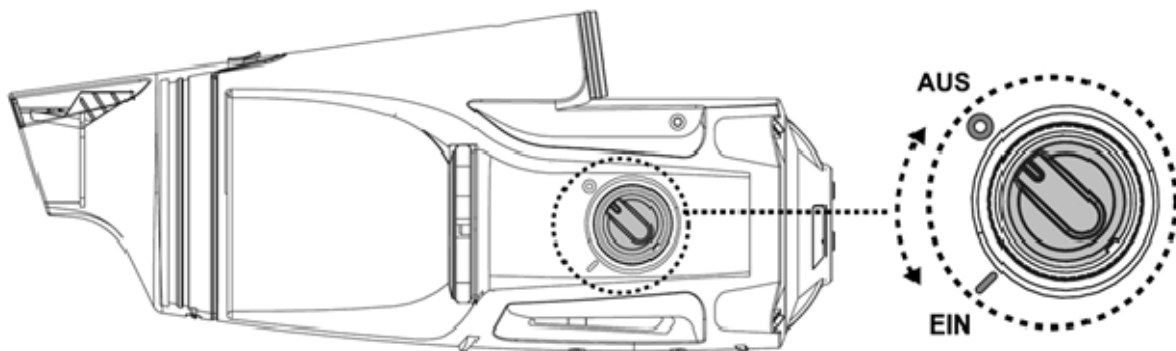
Laden der Batterie

WICHTIGER HINWEIS: Laden Sie den Poolsauger 6 Stunden auf, bevor Sie ihn zum ersten Mal benutzen.

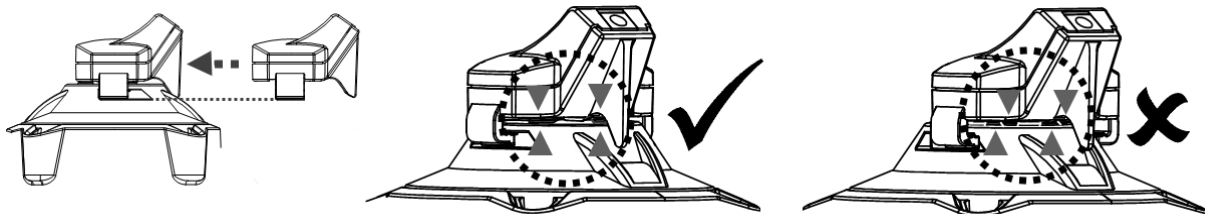
WARNUNG!

- Verwenden Sie nur den mitgelieferten Original-Netzadapter und den mitgelieferten Ladestation
- Vergewissern Sie sich, dass der Poolsauger und die Ladekontaktplatten sauber und trocken sind, bevor Sie das Gerät einrichten und aufladen. (TIPP: Benutzen Sie ein Wattestäbchen, um die Ladekontaktplatten zu trocknen)
- Das Aufladen hat im Inneren in einem gut belüfteten, vor Sonnenlicht, Kindern, Hitze und Zündquellen geschützten Raum bei einer Umgebungstemperatur zwischen 5 °C (41 °F) und 35 °C (95 °F) zu erfolgen.
- Verwenden Sie niemals das externe Ladegerät und die Ladestation, sollten Sie Schäden festgestellt haben.
- Die Ladekontaktplatten sind wasserdicht. Wasserreste auf den Kontaktplatten könnten jedoch zum natürlichen Auftreten von Flecken führen (ein Nebeneffekt der chemischen Reaktion zwischen Wasser und elektrischem Strom). Die Flecken können ansonsten durch leichtes Schrubben mit einem mit Zitronensaft oder Essig getränkten Wattestäbchen entfernt werden.
- Stellen Sie sicher, dass der Poolsauger ausgeschaltet ist, bevor Sie einen Ladevorgang beginnen.

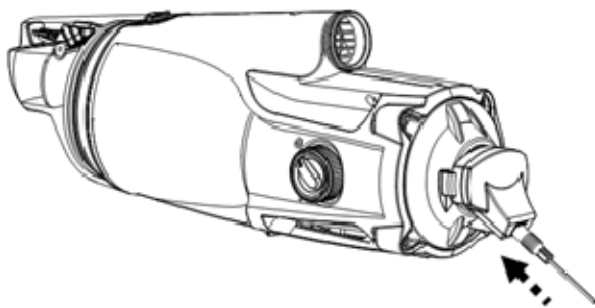
1. Stellen Sie das Gerät auf eine flache Oberfläche. Vergewissern Sie sich, dass der Poolsauger ausgeschaltet ist, indem Sie den EIN-/AUS-Schalter vor dem Aufladen in die Position "AUS" schalten.



2. Richten Sie den Haken der Ladestation aus und schieben Sie ihn bis zum Anschlag in die seitliche Kerbe an der Unterseite des Hauptkörpers. Stellen Sie sicher, dass sich die Kontaktplatten richtig berühren.



3. Stecken Sie die Buchse des externen Adapters in den Ladeanschluss am Ende des Ladestation.



4. Verbinden Sie das externe Ladegerät mit der Stromversorgung. Nachdem der Poolsauger mit der Aufladung begonnen hat, leuchtet die Leuchtanzeige am externen Ladegerät rot. Normalerweise dauert ein vollständiger Ladevorgang 4-6 Stunden. Die Leuchtanzeige leuchtet grün, sobald der Poolsauger fast vollständig aufgeladen ist.

HINWEIS: Falls der Motor Geräusche erzeugt, vergewissern Sie sich, dass am Ein-/Ausschalter "AUS" gewählt ist.

- Sollten Sie eine der folgenden Störungen bemerken, trennen Sie den externen Netzadapter sofort von der Stromversorgung:
 - Starker oder ungewöhnlicher Geruch
 - Übermäßige Wärmeentwicklung
 - Verformung, Risse, Auslaufen
 - Rauch
5. Wenn der Ladevorgang abgeschlossen ist, trennen Sie den externen Adapter von der Stromquelle und ziehen Sie den Ladestation aus dem Gerät und dem externen Adapter.

Normalerweise kann ein vollständig aufgeladener Poolsauger (nach einer Ladezeit von 4-6 Stunden) bis zu 30 Minuten betrieben werden.

HINWEIS: Reinigen Sie das Filterkäfig regelmäßig. Übermäßiger Schmutz im Inneren des Filterkäfig erhöht die Belastung des Motors im Betrieb und verkürzt dadurch die Betriebsdauer.

Hinweis: Reinigen Sie regelmäßig den Filter. Ein übermäßig verschmutzter Filter führt zu einer höheren Beanspruchung des Motors und verkürzt folglich die Betriebsdauer.

FAKTUM: Die wiederaufladbare Li-Ion-Batterie ist als ein Verbrauchsartikel eingestuft. Es hat eine begrenzte Lebensdauer und verliert allmählich seine Fähigkeit, Energie zu speichern. Daher wird die Betriebsdauer des Poolsaugers nach wiederholten Lade- und Entladevorgängen während des Betriebs allmählich abnehmen.

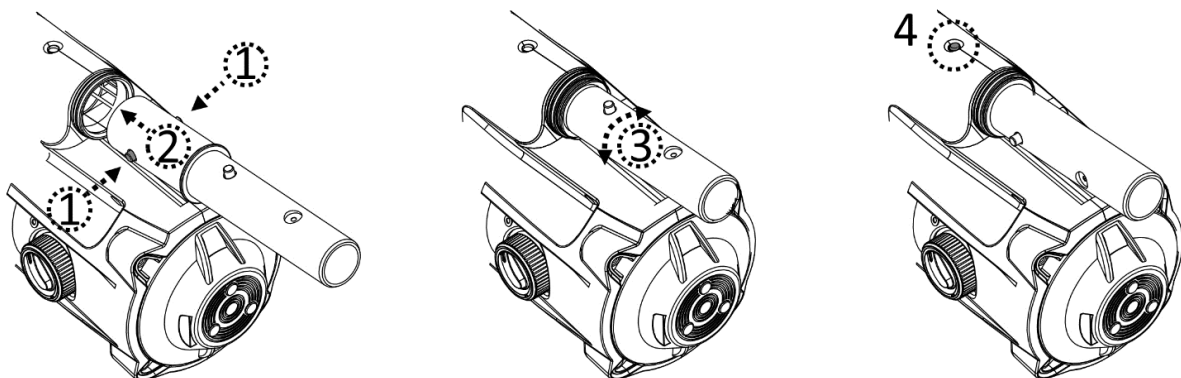
Wenn die Lebensdauer des Akkus erschöpft ist, befolgen Sie die Anweisungen im Abschnitt „ENTSORGUNG DES AKKUS“, um den Akku zu entsorgen.

HINWEIS: Lassen Sie den Poolsauger 30-40 Minuten abkühlen, bevor Sie ihn wieder aufladen.

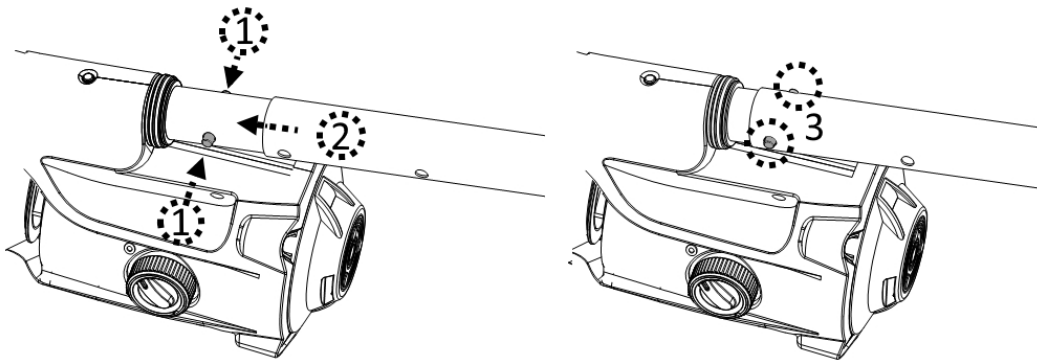
Vorbereitung vor der Benutzung

Montage der Teleskopstange(nicht inbegriffen) (nur für USA / EU-Länder)

Drücken Sie die seitlichen Stifte der Teleskopstangenkupplung herunter und fügen Sie es in den Hauptkörper ein. Drehen Sie die Teleskopstangenkupplung in eine beliebige Richtung, bis der Stift sich in das Loch einfügt, wie in der Abbildung dargestellt.



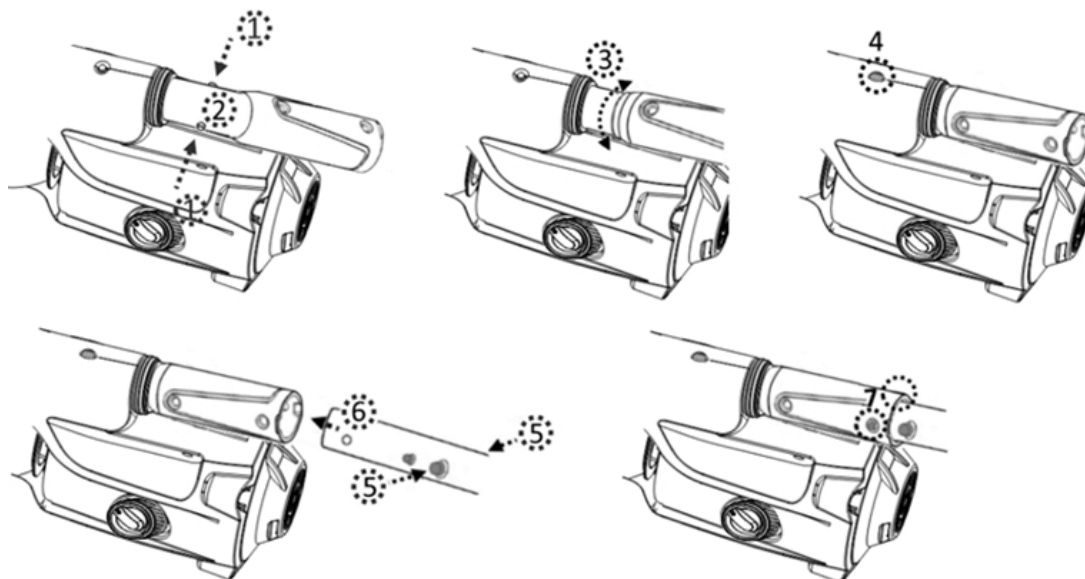
Schieben Sie die Teleskopstange auf die Teleskopstangenkupplung. Drücken Sie die seitlichen Stifte der Kupplung und der Teleskopstange weiter herunter, bis die Kupplungsstifte in den Löchern der Stange einrasten.



Um Teleskopstange zu lösen, drücken Sie die beiden seitlichen Stifte gleichzeitig nach unten und ziehen Sie die Stange heraus.

Montage der Spezifische Teleskopstange (nicht inbegriffen) (nur für Australien/Neuseeland)

Führen Sie das Ende (mit den beiden seitlichen Stiften) des Soezifische Teleskopstangenkupplung wie abgebildet in den Poolsauger ein, bis die seitlichen Stifte im Verriegelungsloch des Kupplung am hinteren Körper gesichert sind. So installieren Sie die Teleskopstange (mit interner Querlenkerklammer) am Pol-Stecker wie abgebildet.



Vorbereitung des Beckens

- Steine, Gras oder Pflanzen oder Rost vor Verwendung des Poolsaugers vom Beckenboden entfernen. Ziehen Sie in Zweifelsfällen Fachpersonal zu Rate.
- Beschädigte, verschlissene oder rissige Beckenböden vor Verwendung des

- Poolsaugers durch Fachpersonal instandsetzen oder auswechseln lassen.
- Bei einem Salzwasserpool müssen Sie sich vergewissern, dass das Salz komplett gelöst ist, bevor Sie den Poolsauger ins Wasser setzen.

BETRIEB

WARNUNG!

- Vergewissern Sie sich, dass der Poolsauger ausgeschaltet ist..
- Verwenden Sie den Poolsauger nicht, wenn irgendwelche Schäden festgestellt werden.
- Durch auf den O-Ring aufgetragenes Schmierfett können Ölflecken auftreten.
- Verwenden Sie diesen Poolsauger nicht, wenn sich Personen/Haustiere im Wasser befinden.
- Stellen Sie sicher, dass der Poolsauger vollständig in das Wasser eingetaucht ist, bevor Sie ihn in Betrieb setzen. Der Mindestwasserstand, der für den Betrieb des Poolsaugers erforderlich ist, muss über dem Ein-/Aus-Schalter des Poolsaugers liegen, wenn dieser in vertikaler Position gehalten wird. Der Betrieb des Poolsaugers, ohne korrekt in das Wasser eingetaucht zu sein, kann zu Schäden und zum Erlöschen der Garantie führen.
- Verwenden Sie den Poolsauger NICHT ohne eingesetzten intakten Filterkäfig. Bei Verwendung des Poolsaugers ohne intakten Filterkäfig **ERLISCHT** die Garantie.
- Lassen Sie den Poolsauger nicht im Wasser eingetaucht, wenn er nicht verwendet wird.

- 1) Bringen Sie den Poolsauger an den Rand Ihres Pools/Spa. Tauchen Sie den Poolsauger in Wasser ein und schalten Sie den EIN/AUS-Schalter auf die Position "EIN", um den Betrieb einzuleiten.

ACHTUNG! Achten Sie darauf, dass der Poolsauger stets nach unten zeigt, wenn er in den Pool gesetzt wird. Sonst kann die Stangenkupplung verbogen und während des Vorgangs beschädigt werden.

- 2) Um den Poolsauger aus dem Pool/Spa herauszunehmen, heben Sie den Poolsauger nach unten zeigend an, damit das Wasser aus dem Entwässerungsventil austreten kann. Das Wasser tritt über den Griff bzw. die Stangenkupplung und den Entwässerungslöchern im Inneren der Griffkammer am rückseitigen Gehäuse aus.

ACHTUNG! Achten Sie darauf, dass der Poolsauger stets nach unten zeigt, wenn aus dem Pool herausgezogen wird. Andernfalls kann die Stangenkupplung verbogen und der Poolsauger beim Vorgang beschädigt werden.

- 3) Spülen Sie den Poolsauger nach jeder Verwendung mit frischem Wasser. Verwenden Sie **KEINESFALLS** Reinigungsmittel.

ENTLEEREN DES FILTERS

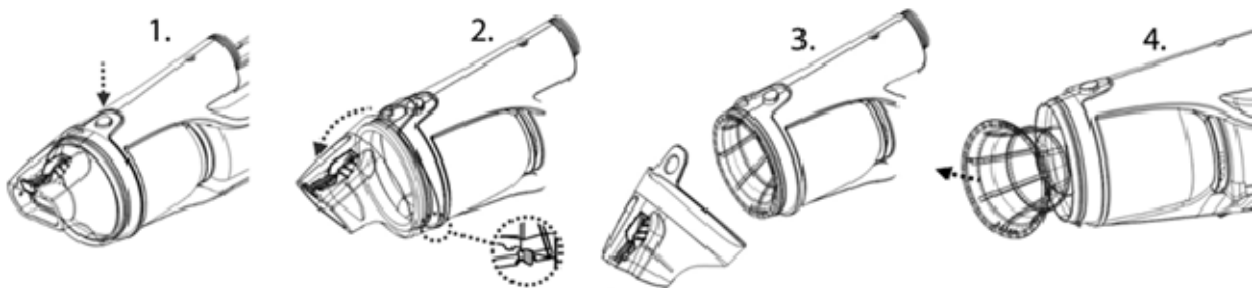
WARNUNG! Bei Verwendung des Poolsaugers ohne intakten Filterkäfig **ERLISCHT** die Garantie.

Um die Reinigungseffizienz zu maximieren, stellen Sie sicher, den Filterkäfig vor und nach jeder Verwendung zu reinigen.

ACHTUNG! Wenn der Poolsauger aufgeladen wird, trennen Sie das externe Ladegerät von der Stromversorgung und ziehen Sie die Buchse aus der Ladestation. Vergewissern Sie sich, dass das Poolsauger ausgeschaltet ist.

• Entleeren des Filterkäfig

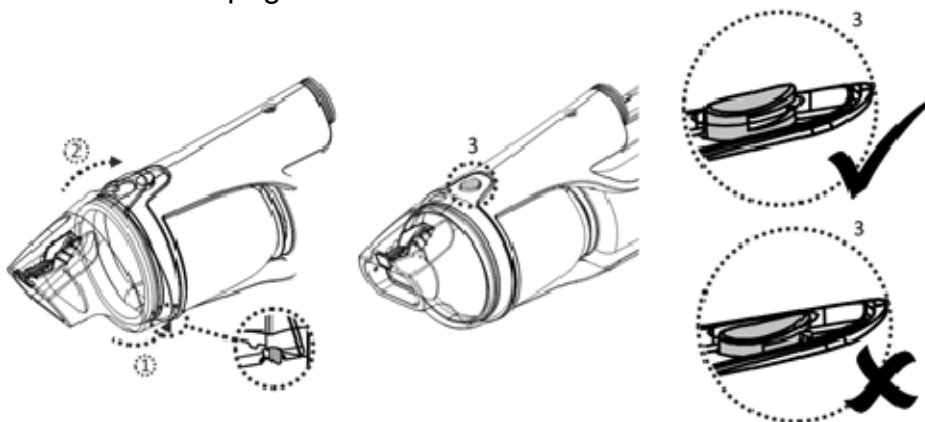
1. Legen Sie den Poolsauger auf einer stabilen Oberfläche ab.
2. Drücken Sie den Arretierknopf, bis sich das Arretierloch im durchsichtigen Behälter löst. Schieben Sie den Behälter weg, bis sich die Aussparung unten am Hauptkörper vom Haken unten an der Behälteröffnung löst. Entfernen Sie den Filterkäfig aus dem Hauptkörper.



ACHTUNG! Ersetzen Sie den beschädigten Filterkäfig sofort vor dem nächsten Einsatz.

3. Entfernen Sie den Schmutz und spülen Sie den Filterkäfig mit Wasser. Sollte es erforderlich sein, den Filterkäfig zu bürsten, benutzen Sie ausschließlich eine weiche Bürste und reinigen Sie den ihn mit Vorsicht und sanft.
4. Setzen Sie den Filterkäfig wieder in den Hauptkörper ein. Achten Sie darauf, dass das Filterkäfig vollständig im Inneren des Hauptkörpers eingesetzt ist.

Um den Behälter wieder einzubauen, richten Sie zunächst die Aussparung des Behälters mit dem Haken am Hauptkörper aus und drücken Sie dann den Behälter auf den Hauptkörper. Stellen Sie sicher, dass das Arretierloch am durchsichtigen Behälter mit dem Arretierknopf gesichert ist.



INSTANDHALTUNG UND LAGERUNG

HINWEIS:

1. Achten Sie darauf, die Ladekontaktplatten nach jedem Gebrauch zu reinigen und zu trocknen, um die Bildung von Flecken (Nebeneffekt einer natürlichen chemischen Reaktion zwischen elektrischem Strom und Wasser) zu vermeiden. Die Flecken können ansonsten durch leichtes Schrubben mit einem mit Zitronen- oder Essigsaft getränkten Wattestäbchen entfernt werden.
2. Achten Sie darauf, den Poolsauger auf 30 - 50 % Akkukapazität aufzuladen, bevor er weggelegt wird..
3. Sie müssen die Batterie mindestens alle drei Monate neu aufladen, wenn das Gerät nicht verwendet wird.
 - Ziehen Sie den externen Stecker aus der Buchse heraus und ziehen Sie die Buchse des Ladegeräts aus der Ladestation heraus.
 - Entfernen Sie das Zubehör vom Poolsauger. Sofern erforderlich, spülen Sie den Poolsauger und das Zubehör mit frischem Wasser. Verwenden Sie KEINESFALLS Reinigungsmittel.
 - Stellen Sie sicher, dass das Wasser aus dem Gerät, dem Griff und der Stangenkupplung ausläuft.
 - Reinigen und trocknen Sie den Poolsauger und sein Zubehör mit einem feuchten Tuch.
 - Lagern Sie alle in einem gut belüfteten, vor Sonnenlicht, Kindern, Hitze, Zündquellen und Poolchemikalien geschützten Ort. Die Umgebungstemperatur sollte 10 °C – 25 °C (50 °F – 77 °F) betragen. HINWEIS: Bei einer höheren Lagertemperatur kann die Batterielebensdauer beeinträchtigt werden.

WARNUNG!

- Versuchen Sie unter keinen Umständen, den Poolsauger auseinanderzubauen.
- Sie sollten unter keinen Umständen versuchen, den Poolsauger auseinanderzubauen und das Flügelrad, den Motor oder die Batterie eigenhändig auszutauschen.

ACHTUNG!

- Übermäßige Hitze kann die Batterie beschädigen und deren Lebensdauer reduzieren. Wenden Sie sich an den Händler, um den Akku auszutauschen, wenn Sie Folgendes feststellen:
 - Akku erscheint beschädigt oder lädt nicht vollständig auf.
 - Die Betriebsdauer mit einer Batterieladung ist wesentlich verkürzt. Beobachten und notieren Sie die Betriebsdauer, wenn das Gerät die ersten Male benutzt wird (nach vollständigem Aufladen). Verwenden Sie diese Aufzeichnungen als Referenz zum Vergleich der Betriebsdauer bei älteren Akkus.
- Die Batterie muss vor Entsorgung des Poolsaugers ausgebaut werden.
- Der Poolsauger ist von der Stromversorgung zu trennen, wenn die Batterie ausgebaut wird.
- Die Batterie ist sicher und gemäß den lokalen Vorschriften oder Regelungen zu entsorgen.

HINWEIS: Unsachgemäße Instandhaltung kann zu einer Reduzierung der Lebensdauer der Batterie führen und deren Kapazität beeinträchtigen.

ENTSORGUNG DES AKKUS (von einem autorisierten Techniker

durchzuführen)

Die Batterie Ihres Poolsaugers ist ein wartungsfreies, wiederaufladbares Lithium-Ion-Batteriepack, das ordnungsgemäß zu entsorgen ist. Wenden Sie sich hinsichtlich Informationen bezüglich der Entsorgung an ihre lokale Behörde.

WARNUNG! Versuchen Sie nicht, das Batteriepack auseinanderzubauen.

- Legen Sie alle persönlichen Gegenstände wie Ringe, Armreife, Halsketten und Uhren ab, wenn das Batteriepack vom Poolsauger abgeklemmt wird.
- Ein Batteriepack kann einen Kurzschluss mit einer Stromstärke erzeugen, die ausreicht, um einen Ring mit Metall zu verschweißen und dabei schwere Verletzungen zu verursachen.
- Tragen Sie beim Entfernen des Batteriepacks einen geschlossenen Augenschutz, Handschuhe und Schutzkleidung.
- Vermeiden Sie es, alle Kabel gleichzeitig zu berühren und vermeiden Sie den Kontakt der Kabel mit metallischen Gegenständen, da dies zu Funkenbildung und/oder zum Kurzschluss der Batterie führen könnte.
- Rauchen Sie keinesfalls und vermeiden Sie Funken oder Flammen in der Nähe der Batterie oder des Poolsaugers.
- Setzen Sie die Batterie nicht dem Feuer oder intensiver Hitze aus, da dies eine Explosion verursachen könnte.

ACHTUNG!

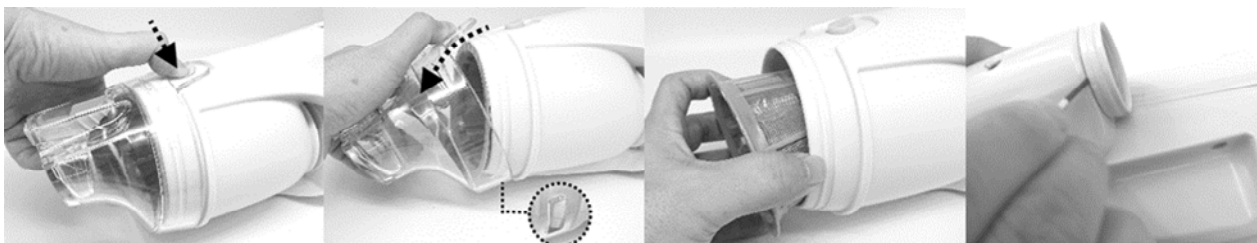
Vermeiden Sie bei einer Undichtigkeit der Batterie den Kontakt mit der austretenden Flüssigkeit und verstauen Sie die Batterie in einem Plastikbeutel.

- Sollte die austretende Flüssigkeit mit der Haut und der Kleidung in Berührung kommen, waschen Sie Haut und Kleidung sofort mit reichlich Seife und Wasser.
- Sollte die austretende Flüssigkeit in die Augen gelangen, spülen Sie die Augen sofort mindestens 15 Minuten mit kaltem fließendem Wasser und reiben Sie sie nicht. Suchen Sie schnellstmöglich ärztliche Hilfe auf.

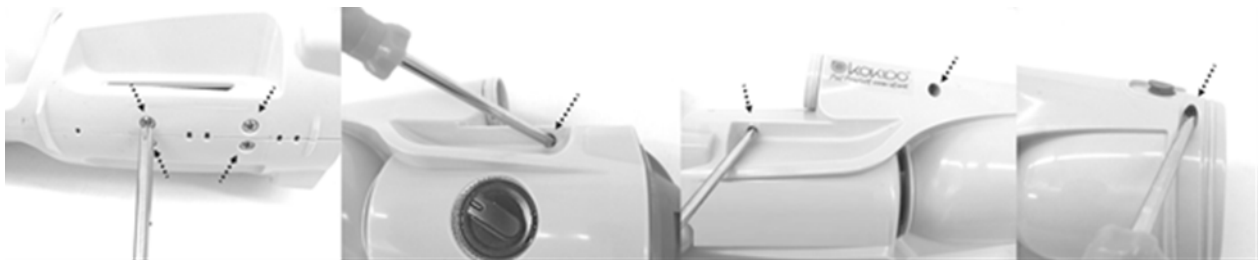
Entfernen den Akku nur zu dessen Entsorgung (von einem autorisierten Techniker durchzuführen)

Empfohlenes Werkzeug (nicht inbegriffen): Phillips-Schraubendreher und kleiner Schlitzschraubendreher.

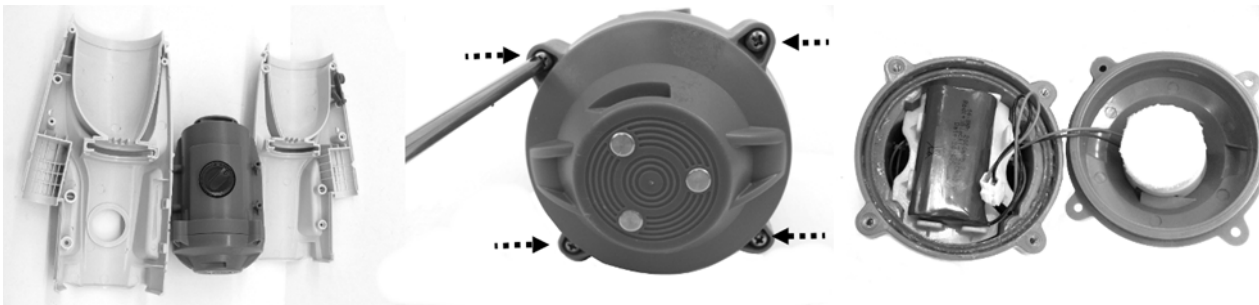
1. Drücken Sie auf den Verriegelungsknopf und lösen Sie den durchsichtigen Behälter vom Gehäuse. Lösen Sie mit einem kleinen Schraubendreher den Ring vom Gehäuse. Der Ring lässt sich schwer mit einem Schraubendreher lösen, schneiden Sie ihn mit einer Schneidezange durch.



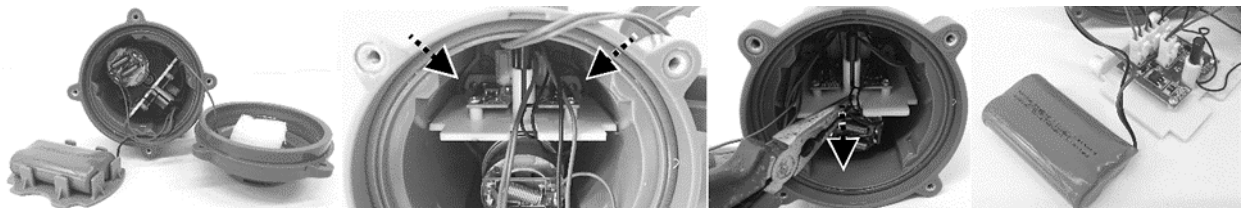
2. Verwenden Sie einen Kreuzschlitzschraubendreher, um alle Schrauben am Hauptgehäuse zu lösen.



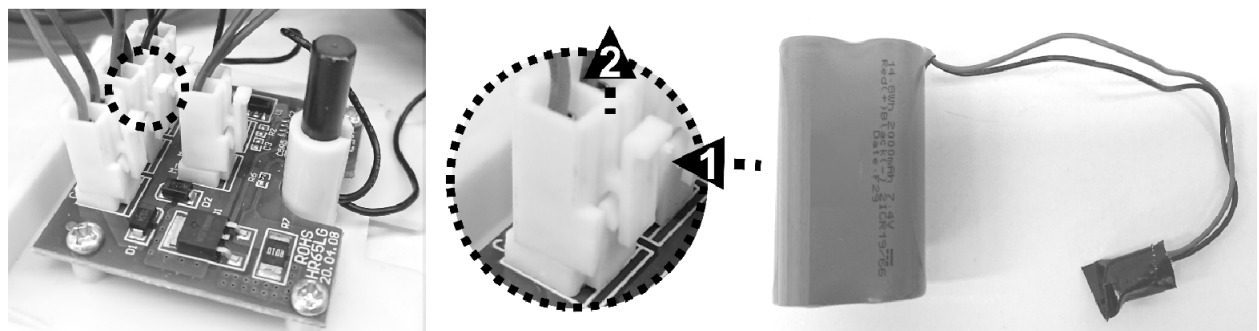
3. Trennen Sie die Gehäusehälften, um die Haupteinheit freizulegen. Lösen Sie mit einem Kreuzschlitzschraubendreher alle Schrauben an der Endabdeckung und entfernen Sie die Endabdeckung, um Zugang zum Batteriepack zu erhalten.





4. Verwenden Sie einen Kreuzschlitzschraubendreher, um die Schraube an der Ecke der geraden Trägerplatte zu lösen. Ziehen Sie die Platte mit einer Klemme heraus, um die Leiterplatte und ihre Kabelstecker freizulegen



5. Lokalisieren Sie den mittleren Stecker wie gezeigt - drücken Sie den Clip und ziehen Sie ihn heraus. HINWEIS: Umwickeln Sie den Steckverbinder sofort mit Isolierband, um einen Kurzschluss durch den Kontakt der beiden Drahtanschlüsse zu vermeiden.



FEHLERBEHEBUNG

Problem	Mögliche Ursache	Behebung
Poolsauger saugt keinen Schmutz auf.	Batterie ist entladen.	Laden Sie der Batterie wieder auf.
	Flügelrad klemmt.	Schalten Sie den Poolsauger ab und sichtsprüfen sie den Spalt in der Mitte des Poolsaugers, ob das Flügelrad durch größere Fremdkörper blockiert wird. Entfernen Sie nach Möglichkeit den Fremdkörper vorsichtig mit einem kleinen Werkzeug. Sofern erforderlich, wenden Sie sich für weitere Anweisungen an Ihren Händler. WARNUNG! Stellen Sie sicher, dass der Poolsauger abgeschaltet ist, wenn er gewartet wird.
	Flügelrad gebrochen.	Wenden Sie sich zwecks Austauschs des Flügelrads an Ihren Händler.
Schmutz tritt aus dem Filter aus.	Filterkäfig voll.	Reinigen Sie den Filterkäfig.
	Saugdüsenklappe ist gebrochen.	Die Saugdüsenklappe funktioniert als eine Absperrung, um den Austritt von Schmutz aus dem Filter zu verhindern. Wenden Sie sich für Ersatzteile und Anweisungen an Ihren Händler.
	Filterkäfig ist beschädigt.	Ersetzen Sie ihn durch einen neuen Filterkäfig.
Das Ablassventil schließt nicht.	Das Ablassventil schließt nicht.	Ohne funktionierendes Ablassventil könnte der Poolsauger Schmutz über dessen Öffnung aufsaugen. Wenden Sie sich zwecks Austausch des Ventils an Ihren Händler.
	Teleskopstangenkupplung kann bei der Montage nicht gesichert werden	Seitenstift am Pol-Stecker ist gebrochen.
Der Poolsauger ist aktiviert, obwohl der Schalter anzeigt, dass er ausgeschaltet ist.	Magnetische Objekte in der Nähe haben den Motor versehentlich eingeschaltet.	Die magnetischen Objekte oder den Sauger voneinander weg bewegen.
Der Poolsauger kann nicht geladen/wieder aufgeladen werden.	Batterie ist beschädigt.	Wenden Sie sich zwecks Austausch der Batterie an Ihren Händler. WARNUNG! Öffnen Sie NICHT den Poolsauger und tauschen Sie die Batterie NICHT eigenhändig aus. Dies könnte zu schweren oder tödlichen Verletzungen und zum Erlöschen der Garantie führen.
	Ladestation auf der Poolsauger sind nicht richtig angeschlossen.	Vergewissern Sie sich, dass die Ladestation vollständig auf dem Poolsauger montiert ist und ihre Kontaktplatten richtig angeschlossen sind.
	Externes Ladegerät beschädigt.	Wenden Sie sich zwecks Austausch an Ihren Händler. WARNUNG! Die Verwendung eines falschen externen Geräts führt zu einer Beschädigung des Poolsaugers bzw. der Batterie und zum Erlöschen der Garantie.
Die Betriebszeit ist kürzer als erwartet	Der Akku ist nicht vollständig geladen	Laden Sie den Poolsauger mindestens 6 Stunden lang auf. HINWEIS: Falls Flecken auf den Ladekontaktplatten gefunden werden, entfernen Sie diese mit einem mit Zitronensaft oder Essig getränkten Wattestäbchen.
Umweltschutzprogramme, EEAG-Richtlinie		
	Beachten Sie bitte die Vorschriften der Europäischen Union und helfen Sie, die Umwelt zu schützen. Geben Sie unbrauchbare elektronische Geräte an einer von Ihrer Stadtverwaltung vorgegebenen Stelle zur sachgemäßen Entsorgung von elektrischen und elektronischen Komponenten ab. Entsorgen Sie sie nicht über den Hausmüll. Entfernen Sie bei Produkten mit austauschbaren Batterien die Batterien, bevor Sie das Produkt entsorgen.	
	© 2021 BWT Holding GmbH. 21010025 Alle Rechte vorbehalten. Dieses Dokument darf weder ganz noch teilweise in irgendeiner elektronischen oder mechanischen Weise oder mithilfe von irgendwelchen Medien ohne vorherige schriftliche Genehmigung von BWT Holding GmbH reproduziert, weitergegeben, fotokopiert, aufgenommen oder in sonstiger Weise vervielfältigt werden. (V1)	

Sollten Sie eine elektronische Ausgabe dieser Anleitung benötigen, wenden Sie sich bitte per E-Mail an unseren Kundendienst.


BEDIENUNGSANLEITUNG GUT AUFBEWAHREN

AVERTISSEMENTS DE SÉCURITÉ ET INSTRUCTIONS

Les informations contenues dans ce manuel d'instructions vous permettront d'utiliser l'appareil en toute sécurité, à vous protéger ainsi que les autres et à éviter d'endommager l'appareil ou d'autres biens.

CONSERVER CE MANUEL

AVERTISSEMENT !

- Ceci n'est pas un JOUET. Les enfants doivent être maintenus hors de la portée de cet aspirateur de piscine et de ses accessoires.
- Ne jamais permettre aux enfants de faire fonctionner ce aspirateur de piscine.
- Ce dispositif n'est pas destiné à être utilisé par des personnes ayant des capacités physiques, sensorielles ou mentales diminuées, ou un manque d'expérience et de connaissances, sauf si elles sont sous supervision ou ont reçu des instructions concernant l'utilisation sûre de l'appareil par une personne responsable de leur sécurité.
- Les enfants ne doivent pas jouer avec ce aspirateur de piscine..
- Le nettoyage et l'entretien du aspirateur de piscine ne doit pas être effectués par des enfants.
- Assurez-vous que l'aspirateur de piscine est totalement immergé dans la piscine avant de commencer l'opération. Le niveau d'eau minimum exigé pour faire fonctionner l'aspirateur de piscine doit dépasser l'interrupteur Marche / Arrêt de l'aspirateur de piscine lorsqu'il est maintenu en position verticale. Faire fonctionner l'aspirateur de piscine lorsqu'il n'est pas immergé correctement pourrait endommager l'unité et annuler la garantie.
- La profondeur maximale de fonctionnement dans l'eau est de 3 mètres (9.8 pieds).
- Température maximale de l'eau : 5°C – 35°C.
-  Unité d'alimentation détachable (transformateur).
- À l'effet de recharger la batterie, utiliser seulement l'unité d'alimentation amovible (modèle adaptateur externe : DSS12D-0841000-B / DSS12D-0841000-C / DSS12D-0841000-D / LX084100U) qui est fourni avec cet aspirateur de piscine pour charger la batterie.
- Pour recharger la batterie, utilisez uniquement l'unité d'alimentation amovible (adaptateur externe) fournie avec ce produit
- Connecter le transformateur à une source d'alimentation par l'intermédiaire d'un dispositif différentiel à courant résiduel (DDR) ou d'un disjoncteur de fuite à la terre (GFCI). En cas de doute, consultez un électricien professionnel qualifié.
- Ne pas utiliser cet aspirateur de piscine si un dommage quelconque est détecté.
- Remplacer les pièces endommagées avec des pièces certifiées par le distributeur ou le fabricant.

- Mettre hors tension, débrancher l'adaptateur externe de la source d'alimentation, et débrancher l'adaptateur externe de la base de chargement avant de séparer l'aspirateur de piscine de la base de chargement.
- Débrancher l'aspirateur de piscine du réseau d'alimentation et s'assurer que l'aspirateur de piscine est hors tension avant d'effectuer l'entretien régulier – tel que le nettoyage du filtre et des plaques de contact de chargement.
- Ne remplacez pas la batterie rechargeable Li-ion pré-installée.
- NE manipulez PAS le aspirateur de piscine, l'adaptateur externe et la base de chargement pendant la charge avec des membres mouillés et sans chaussures..
- Vous ne devez pas faire fonctionner cet aspirateur de piscine lorsque des personnes/animaux de compagnie sont présents dans l'eau.
- Ne pas utiliser cet aspirateur de piscine sans une cage de filtre intact en place, car votre garantie serait annulée de ce fait.
- Danger de piégeage de l'aspiration : Cet aspirateur de piscine produit une aspiration. Ne pas permettre que les cheveux, le corps, ou toutes parties lâches de vos vêtements entrent en contact avec l'orifice d'aspiration de l'aspirateur de piscine pendant son fonctionnement.
- Ne jamais introduire des parties du corps, vêtements ou autres objets dans les ouvertures et pièces mobiles de l'aspirateur de piscine.
- NE PAS utiliser cet aspirateur de piscine pour ramasser des substances toxiques, inflammables ou liquide combustibles (comme de l'essence), ni en présence de vapeurs explosives ou inflammables.
- En aucun cas, vous ne devez tenter de démonter l'aspirateur de piscine et de remplacer la turbine, le moteur, et la batterie de par vous-même.
- Ne jamais insérer les doigts ou un quelconque objet dans la turbine.
- La batterie intégrée doit être retirée par un technicien qualifié avant d'être mise au rebut.
- Cet aspirateur de piscine contient une batterie qui ne peut être retirée que par des personnes qualifiées.
- L'aspirateur de piscine doit être déconnecté du réseau d'alimentation lors du retrait de la batterie..
- Pour plus de détails sur la mise au rebut de la batterie veuillez vous reporter à la section "MISE AU REBUT DE LA BATTERIE" de ce manuel et contactez les autorités locales pour plus d'informations.
- La batterie doit être détruite en toute sécurité conformément aux réglementations locales.

- Adaptateur externe et base de chargement :
 - Ne jamais utiliser l'adaptateur externe et la base de chargement pour tout autre chose que le chargement de la batterie de l'aspirateur de piscine qui est fournie dans le même bloc.
 - L'adaptateur externe et la base de chargement ne doivent pas être utilisés à l'extérieur, ni exposés à la pluie, à l'humidité et à tout liquide ou chaleur.

- Le transformateur (ou le transformateur) doit être situé à l'extérieur de la zone 1
- Maintenir l'adaptateur externe et la base de chargement hors de la portée des enfants.
- Ne jamais utiliser l'adaptateur externe et la base de chargement si un dommage quelconque est détecté.
- NE PAS manipuler l'adaptateur externe et la base de chargement avec des mains humides.
- NE PAS manipuler l'aspirateur de piscine, l'adaptateur externe, et la base de chargement pendant la charge avec des mains humides et sans chaussures.
- Maintenir l'adaptateur externe débranché du courant lorsqu'il n'est pas utilisé.
- Ne jamais tenter d'ouvrir l'adaptateur externe et la base de chargement.
- Si le cordon d'alimentation de l'adaptateur externe est endommagé, cet adaptateur externe doit être remplacé par le fabricant ou son agent de service pour empêcher des dangers de toute nature.
- S'assurer que l'aspirateur de piscine et la base de chargement sont complètement secs avant de charger.

MISE EN GARDE !

- Cet aspirateur de piscine est uniquement conçu pour une utilisation sous l'eau ; il ne s'agit pas d'un aspirateur tout usage. NE PAS tenter de l'utiliser pour nettoyer tout autre chose que votre piscine / spa.
- Utiliser uniquement les accessoires originaux livrés avec ce produit.
- Ne pas utiliser cet aspirateur de piscine juste après le nettoyage chimique de la piscine. Il est recommandé de laisser circuler l'eau dans la piscine durant au moins 24-48 heures.
- Pour les piscines d'eau salée, s'assurer que tout le sel est dissous avant de placer le aspirateur de piscine dans l'eau.
- Ne pas utiliser cet aspirateur de piscine avec un autre aspirateur / nettoyeur électrique simultanément.
- Éviter de ramasser des objets durs ou pointus avec ce aspirateur de piscine.. Ils peuvent endommager l'aspirateur de piscine et le filtre.
- Prendre des précautions lors du nettoyage des marches de la piscine.
- Pour éviter d'endommager l'adaptateur externe et la base de chargement, ne tentez pas de porter l'aspirateur de piscine par le cordon de l'adaptateur externe / base de chargement et ne tirez pas sur le cordon pour le débrancher de la source d'alimentation et de la base de chargement..
- Charger l'aspirateur de piscine à l'intérieur dans une zone propre et sèche avec une bonne aération et une température ambiante entre 5°C et 35°C.
- NE PAS laisser l'aspirateur de piscine chargé pendant plus de 10 heures.
- Si l'aspirateur de piscine n'est pas utilisé pendant une longue période de temps, le séparer de la base de chargement et utiliser un chiffon humide pour nettoyer et sécher l'aspirateur de piscine et ses accessoires. S'assurer de recharger l'aspirateur électrique à 30%- 50% avant de le stocker. Le ranger dans une zone bien aérée éloignée de la lumière solaire, de la chaleur, des sources d'ignition, des produits chimiques pour la piscine et des enfants. Ne jamais laisser

l'aspirateur de piscine branché pour un stockage à long terme. Recharger l'aspirateur de piscine tous les trois mois.

Les avertissements et mises en garde ci-dessus ne prétendent pas inclure tous les possibles cas de risques et / ou de blessures graves. Les propriétaires de piscine / spas doivent toujours prendre des précautions supplémentaires et utiliser leur bon sens lorsqu'ils utilisent le produit.

Remarque: Les photos / dessins de produits / pièces de ce manuel sont uniquement à titre de démonstration. Le produit / les pièces dans les photos / dessins peuvent varier en fonction du modèle acheté

Tous les accessoires / pièces illustrés dans ce manuel et le diagramme des pièces sont pas inclus avec chaque modèle.

DÉBUT DES OPÉRATIONS

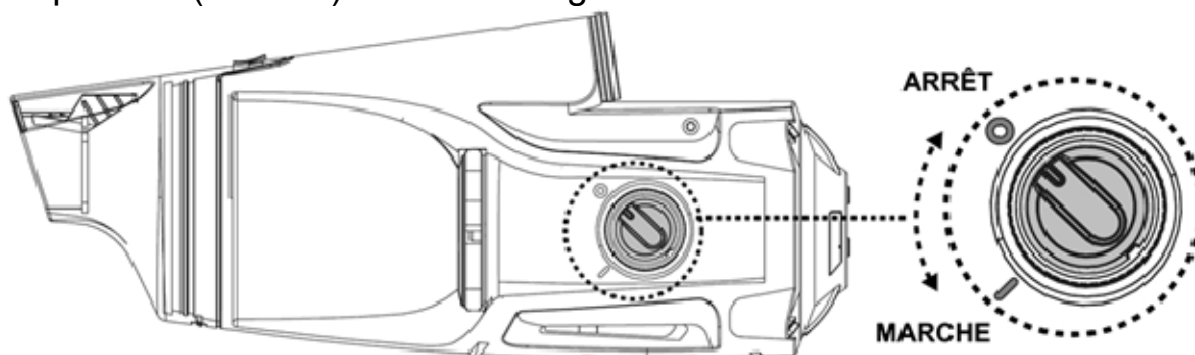
Chargement de la batterie

REMARQUE IMPORTANTE: Charger complètement l'aspirateur de piscine (environ 6 heures) avant la première utilisation.

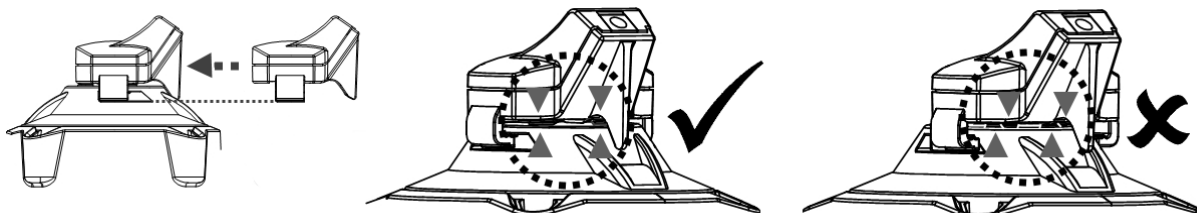
AVERTISSEMENT !

- Utiliser uniquement le transformateur et la base de chargement fournis.
- S'assurer que l'aspirateur de piscine et les plaques de contact de chargement sont propres et secs avant la configuration et le chargement. (ASTUCES : Utiliser un bâtonnet de coton pour sécher les plaques de contact de chargement.)
- Le chargement doit être effectué à l'intérieur, dans une zone bien aérée éloignée de la lumière solaire, des enfants, de la chaleur, des sources d'ignition, et avec une température ambiante entre 5°C et 35°C.
- Ne jamais utiliser l'adaptateur externe et la base de chargement si un dommage quelconque est détecté.
- Les plaques de contact de chargement sont étanches à l'eau. Néanmoins, des restes d'eau sur les plaques de contact pourraient donner lieu à la survenance naturelle de taches (un sous-produit de réaction chimique entre l'eau et les courants électriques). Par ailleurs, les taches peuvent être éliminées par un léger nettoyage avec un bâtonnet de coton imbibé de jus de citron ou de vinaigre.
- S'assurer que l'aspirateur de piscine est hors tension avant de le charger.

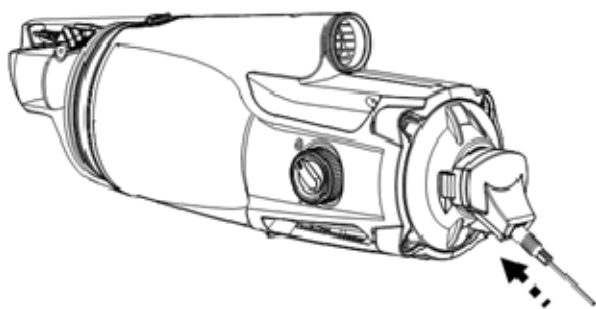
1. Placer l'unité sur une surface plate. S'assurer que l'aspirateur de piscine est hors tension en plaçant l'interrupteur MARCHÉ / ARRÊT sur la position (ARRÊT) avant le chargement.



2. Aligner et glisser le crochet de la base de chargement sur l'encoche latérale au fond du corps principal jusqu'à ce qu'il s'arrête. S'assurer que leurs plaques de contact sont correctement en contact.



3. Brancher la prise de l'adaptateur externe dans l'orifice de chargement à la fin de la base de chargement.



4. Brancher l'adaptateur externe à la source d'alimentation. Une fois que l'aspirateur de piscine commence à se charger, le voyant lumineux sur l'adaptateur externe passera au rouge. Normalement, il faut environ 4-6 heures pour atteindre une charge complète. Le voyant lumineux passe au vert lorsque l'aspirateur de piscine est chargé presque complètement.

NOTE : si le moteur produit du bruit, s'assurer que (ARRÊT) a été sélectionné sur l'interrupteur de courant.

- Déconnecter immédiatement le transformateur de la source d'alimentation en cas de:
 - Odeur forte ou inhabituelle
 - Chaleur excessive
 - Déformation, fissure ou fuite
 - Fumée
5. Lorsque la charge est terminée, déconnecter l'transformateur de la source d'alimentation et débrancher la base de chargement du transformateur.

Normalement l'aspirateur de piscine peut fonctionner jusqu'à 30 minutes avec une charge complète (chargement pendant environ 4-6 heures)

REMARQUES: Nettoyez régulièrement le cage de filtre. Des débris excessifs à l'intérieur de cette cage de filtre augmentent l'effort de fonctionnement du moteur et raccourcissent ainsi la durée de fonctionnement.

FAIT : La batterie au lithium rechargeable est classée comme un article consommable. Elle a une durée de vie limitée et elle perdra progressivement sa capacité de maintenir une charge. Par conséquent, le temps de fonctionnement de l'aspirateur de piscine se réduira progressivement à travers un chargement et déchargement répétés en fonctionnement.

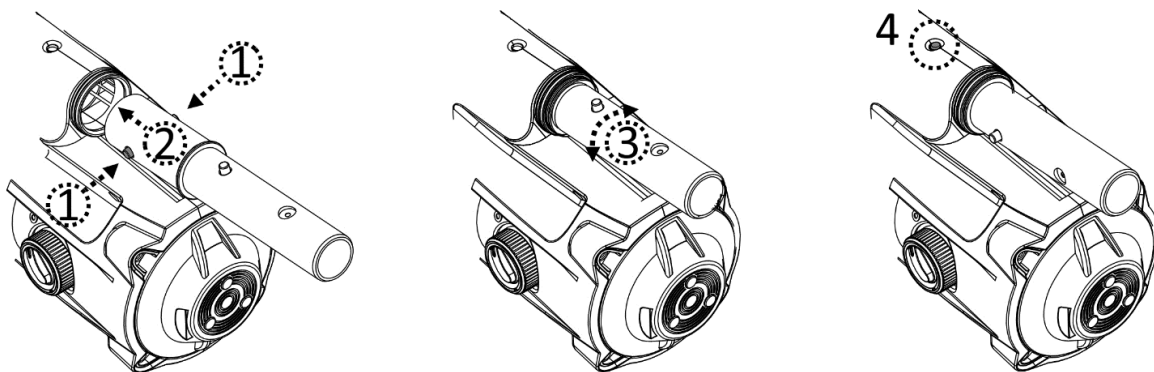
Une fois que la durée de vie de la batterie arrive à sa fin, consulter la section « MISE AU REBUT DE LA BATTERIE » pour connaître les instructions relatives à la mise au rebut de la batterie

NOTE : Laisser l'aspirateur de piscine au repos pendant environ 30 à 40 minutes avant de le recharger.

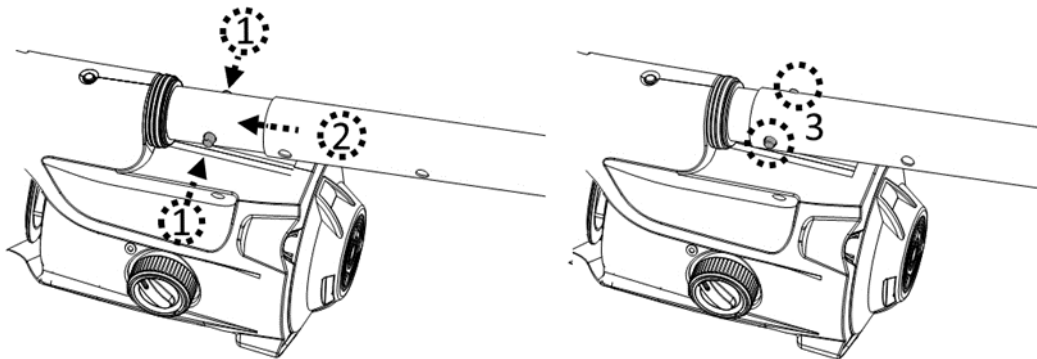
Réglage avant l'utilisation

Montage du manche télescopique (non inclus) (uniquement pour l'USA /EU)

Appuyer sur les clips latéraux du connecteur du manche télescopique et l'insérer dans le corps principal. Faites tourner le connecteur dans une direction ou une autre jusqu'à ce que la broche soit bien fixée dans le trou, comme montré sur le diagramme.



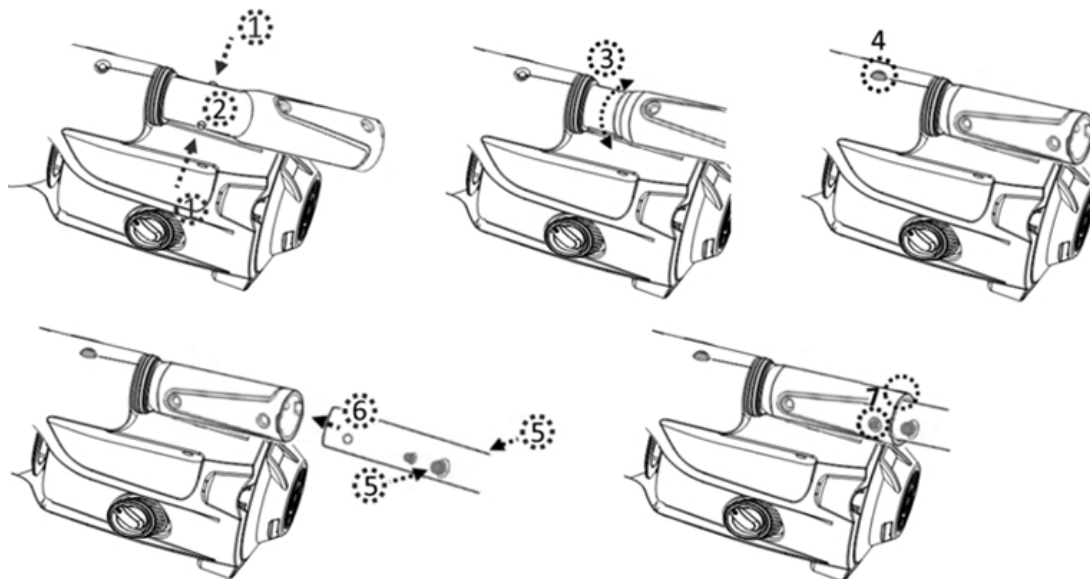
Glisser le manche télescopique autour du connecteur. Appuyer sur les broches latérales du connecteur and continuer à faire glisser le manche télescopique plus bas jusqu'à ce que les broches des connecteurs soient insérées dans les trous du manche.



Pour libérer le manche télescopique, appuyer sur les deux broches latérales simultanément et glisser le manche vers l'extérieur.

Montage du manche télescopique spécifique (non inclus) (uniquement pour l'Australie /Nouvelle-Zélande)

Introduire l'extrémité (avec deux broches latérales) du connecteur du manche spécifique télescopique dans l'aspirateur de piscine comme montré jusqu'à ce que les broches latérales soient fixées à l'orifice de blocage du connecteur du manche sur le corps arrière. Installer le manche télescopique (avec un clip wishbone interne) au connecteur de manche comme montré:



Préparation de la piscine

- S'il y a des cailloux, des racines ou de déchets métalliques sur le liner, les retirer avant utilisation. Si nécessaire, demander l'aide d'un professionnel qualifié.
- Si le liner est friable, endommagé ou froissé, contacter un professionnel qualifié pour effectuer les réparations nécessaires ou effectuer un remplacement du liner avant utilisation de l'aspirateur de piscine.

- Pour les piscines d'eau salée, s'assurer que tout le sel est dissous avant de placer l'aspirateur de piscine dans l'eau.

FONCTIONNEMENT

AVERTISSEMENT !

- S'assurer d'éteindre l'aspirateur de piscine avant de commencer.
- Ne pas utiliser l'aspirateur de piscine si un dommage quelconque est détecté.
- Une tache d'huile peut se produire qui serait due à une fuite possible des lubrifiants appliqués au joint torique.
- Ne pas faire fonctionner cet aspirateur de piscine s'il y a des personnes/animaux de compagnie, présents dans l'eau.
- S'assurer que l'aspirateur de piscine est totalement immergé dans la piscine avant de commencer l'opération. Le niveau d'eau minimum exigé pour faire fonctionner l'aspirateur de piscine doit dépasser l'interrupteur Marche / Arrêt de l'aspirateur de piscine lorsqu'il est maintenu en position verticale. Faire fonctionner l'aspirateur de piscine lorsqu'il n'est pas immergé correctement pourrait endommager l'unité et annuler la garantie.
- Ne pas utiliser l'aspirateur de piscine sans une cage de filtre intact en place. L'utilisation de votre aspirateur de piscine sans un cage de filtre intact en place ANNULERA votre garantie.
- NE PAS laisser l'aspirateur de piscine dans l'eau lorsqu'il n'est pas utilisé.

- 1) Amener votre aspirateur de piscine sur le bord de votre piscine / spa. Immerger l'aspirateur de piscine dans l'eau et tourner l'interrupteur de courant MARCHE / ARRÊT sur la position (MARCHE) pour commencer l'opération.

MISE EN GARDE ! S'assurer que l'aspirateur de piscine est toujours tourné vers le bas lorsqu'il est placé dans la piscine. Dans le cas contraire, il peut courber le connecteur du manche et l'endommager durant le processus.

- 2) Pour retirer l'aspirateur de la piscine / spa, faire monter l'aspirateur de piscine tout en l'orientant vers le bas afin de permettre à l'eau de s'échapper par la valve de drainage. L'eau s'échappera à travers la poignée / connecteur de manche et les orifices d'évacuation à l'intérieur la chambre de la poignée sur le corps arrière.

MISE EN GARDE ! S'assurer que l'aspirateur de piscine est toujours orienté vers le bas lorsqu'il est retiré de la piscine. Dans le cas contraire, le connecteur du manche peut être courbé et endommager l'aspirateur de piscine dans le processus.

- 3) Rincer l'aspirateur de piscine à l'eau fraîche après chaque utilisation. N'utiliser aucun détergent.

VIDER LE FILTRE

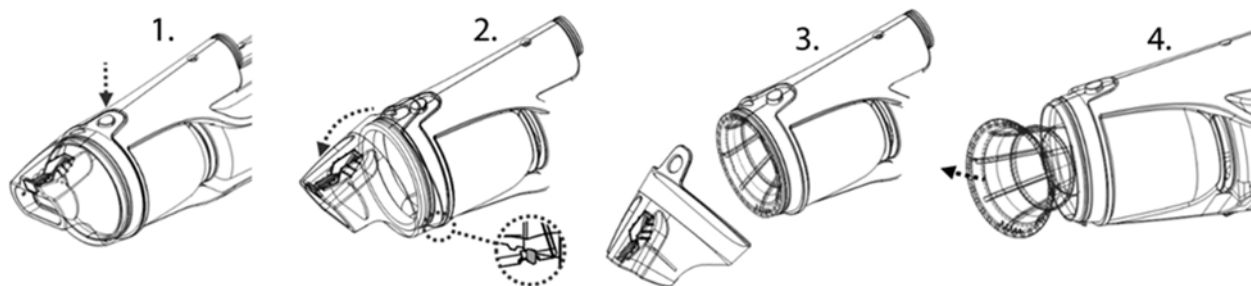
AVERTISSEMENT ! L'utilisation de l'aspirateur de piscine sans une cage de filtre en place **ANNULERA** votre garantie.

Afin de maximiser l'efficacité du nettoyage, assurez-vous de nettoyer la cage de filtre avant et après chaque utilisation.

MISE EN GARDE ! Si l'aspirateur de piscine est en charge, débrancher l'adaptateur externe de la source d'alimentation et séparer l'aspirateur de piscine de la base de chargement. S'assurer d'éteindre l'aspirateur de piscine avant de commencer.

- Vider la cage de filtre

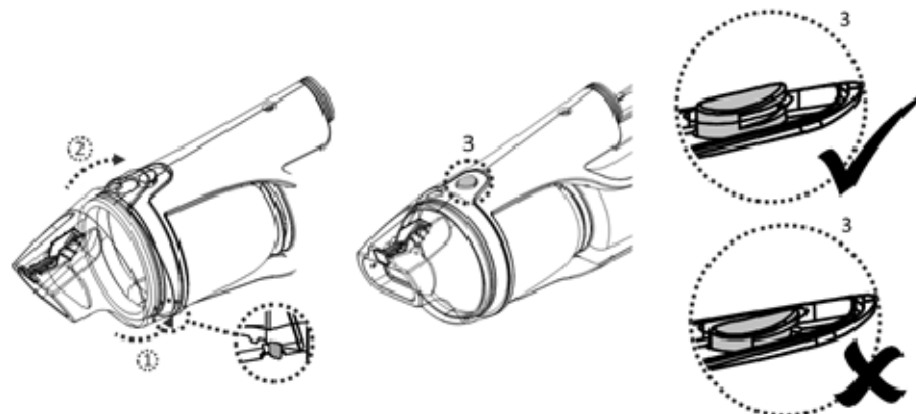
1. Placer l'aspirateur de piscine sur une surface stable.
2. Appuyer sur le bouton de blocage jusqu'à ce que le trou de blocage sur le récipient transparent soit libéré. Faire glisser le récipient jusqu'à ce que l'encoche sur la partie arrière de l'ouverture du récipient soit libérée du crochet au fond du corps principal. Retirer la cage de filtre du corps principal.



MISE EN GARDE ! Remplacer immédiatement une cage de filtre endommagé par un nouveau avant la prochaine opération.

3. Vider les débris et rincer le cage de filtre avec de l'eau. Si brosser est nécessaire, utiliser uniquement une brosse souple pour nettoyer la cage de filtre avec précaution.
4. Repositionner le cage de filtre dans le corps principal. S'assurer que la cage de filtre soit positionnée entièrement dans le corps principal.

Pour repositionner le couvercle transparent, aligner le trou du couvercle avec le crochet sur le corps principal et appuyer les deux pièces pour les assembler. S'assurer que le couvercle transparent soit maintenu en place par le bouton de verrouillage du corps principal.



ENTRETIEN ET STOCKAGE

REMARQUE:

1. S'assurer de nettoyer et sécher les plaques de contact de chargement après chaque utilisation pour éviter la formation de taches (sous-produit d'une réaction chimique naturelle entre le courant électrique et l'eau). Par ailleurs, les taches peuvent être éliminées par un léger brossage avec un bâtonnet de coton imbibé de jus de citron ou de vinaigre.
2. La batterie se décharge de par elle-même durant le rangement. S'assurer de recharger l'aspirateur de piscine à 30%- 50% avant de le stocker.
3. Vous devez recharger la batterie au moins une fois tous les trois mois lorsqu'elle n'est pas utilisée.
 - Débrancher l'adaptateur externe de la prise et débrancher ensuite le jack de l'adaptateur de la base de chargement.
 - Séparer les accessoires de l'aspirateur de piscine. Si nécessaire, rincer l'aspirateur de piscine et les accessoires à l'eau fraîche. Ne pas utiliser de détergent.
 - S'assurer de vider l'eau du corps principal et du connecteur.
 - Utiliser un chiffon humide pour nettoyer et sécher l'aspirateur de piscine et ses accessoires.
 - Les ranger dans une zone bien aérée éloignée de la lumière solaire, de la chaleur, des sources d'ignition et des produits chimiques pour la piscine et tenir hors de portée des enfants. La température ambiante de stockage doit être de 10°C – 25°C.
NOTE : Une température plus élevée peut réduire la vie de la batterie.

AVERTISSEMENT !

- Ne jamais tenter d'une façon quelconque de démonter l'aspirateur de piscine.
- En aucun cas, vous ne devez tenter de démonter l'aspirateur de piscine et de remplacer la turbine, le moteur et la batterie par vous-même

MISE EN GARDE !

- La chaleur excessive peut endommager la batterie et réduire par conséquent sa durée de vie.

Consulter un revendeur concernant le remplacement de la batterie dans les cas suivants:

- La batterie ne se charge pas complètement.
- La durée d'utilisation est sensiblement réduite. Observer et enregistrer les temps d'exécution des premières utilisations (sur une pleine charge). Utiliser ces temps d'exécution comme point de référence pour comparaison avec les temps d'exécution futurs.
- La batterie doit être retirée de l'aspirateur de piscine avant d'être éliminée.
- L'aspirateur de piscine doit être débranché de l'alimentation principale pendant le retrait de la batterie
- La batterie doit être éliminée sous une forme sûre et conformément aux ordonnances ou réglementations locales.

NOTE : Une maintenance incorrecte peut réduire la durée de vie de la batterie et affecter de ce fait sa capacité.

MISE AU REBUT DE LA BATTERIE (Ceci doit être réalisé par un technicien autorisé)

Votre aspirateur de piscine est équipé d'un bloc de batteries rechargeables au lithium libre de toute maintenance, qui doit être éliminé correctement. Son recyclage est requis ; veuillez contacter les autorités locales de votre région pour une plus ample information.

AVERTISSEMENT ! Ne jamais tenter de démonter un bloc de batteries

- Retirer tous les objets personnels tels que bagues, bracelets, colliers et montres lorsque le bloc de batteries n'est pas connecté à l'aspirateur de piscine.
- Une batterie peut produire un courant de court-circuit suffisamment élevé pour souder une bague (ou un article similaire) au métal, causant ainsi une grave brûlure dans le processus.
- Porter un protecteur complet pour les yeux, des gants et des vêtements de protection lorsque le bloc de batteries est retiré.
- Éviter absolument de toucher les fils et éviter de leur permettre de faire contact avec tous objets métalliques, ce qui pourrait causer une émission d'étincelles et/ou court-circuiter la batterie.
- Ne jamais fumer ni permettre qu'une étincelle ou une flamme ne se produise dans le voisinage de la batterie ou de l'aspirateur de piscine.
- Ne pas exposer la batterie au feu ou à une chaleur intense car cela pourrait produire une explosion.

MISE EN GARDE !

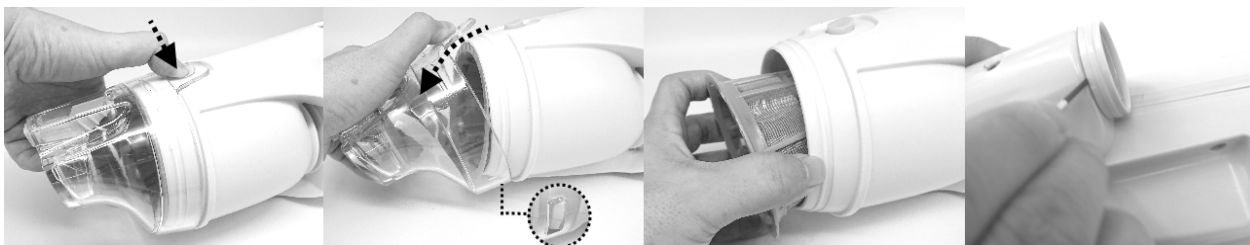
Si une fuite de la batterie se produit, éviter le contact avec les liquides de fuite et placer la batterie endommagée dans un sac en plastique.

- Si les liquides de fuite entrent en contact avec la peau et les vêtements, les laver immédiatement avec une grande quantité de savon et d'eau.
- Si les liquides de fluides entrent en contact avec les yeux, ne pas se frotter les yeux, rincer immédiatement les yeux à l'eau courante froide pendant 15 minutes au moins et ne pas les frotter. Demander une assistance médicale le plus rapidement possible.

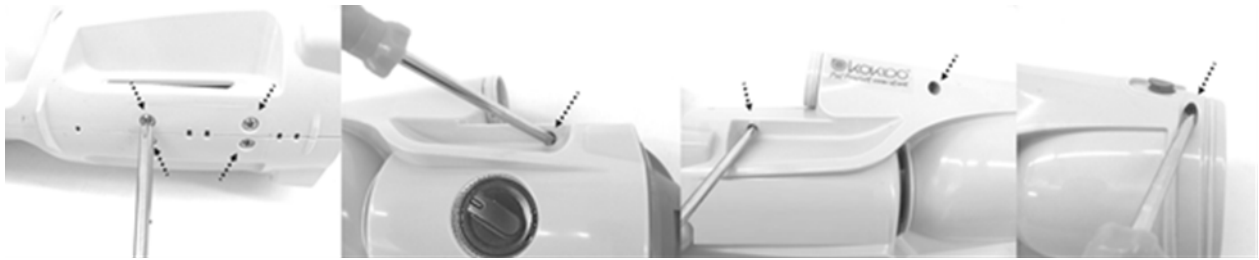
Comment retirer le bloc de batteries uniquement à des fins de recyclage de la batterie (Ceci doit être réalisé par un technicien autorisé)

Outils recommandés (non inclus) : Tournevis Philips et petit tournevis à fente.

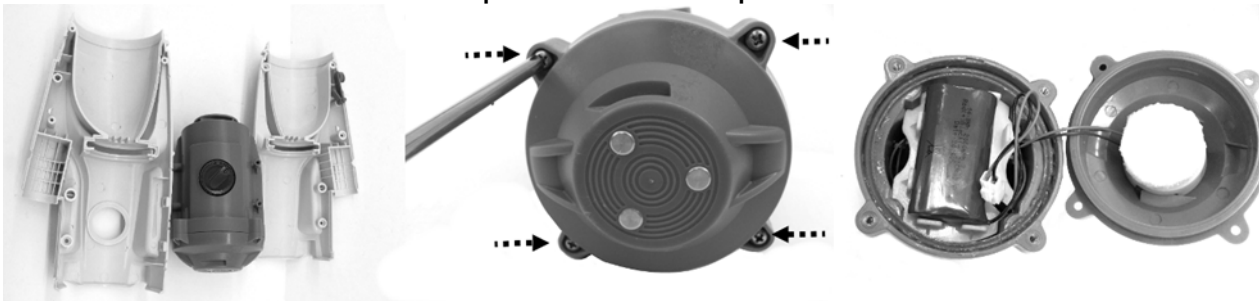
1. Appuyer sur le bouton de verrouillage et séparer le récipient transparent du corps. Utiliser un petit tournevis pour séparer l'anneau du corps. Il est difficile de séparer l'anneau par tournevis, utiliser une pince coupante pour couper.



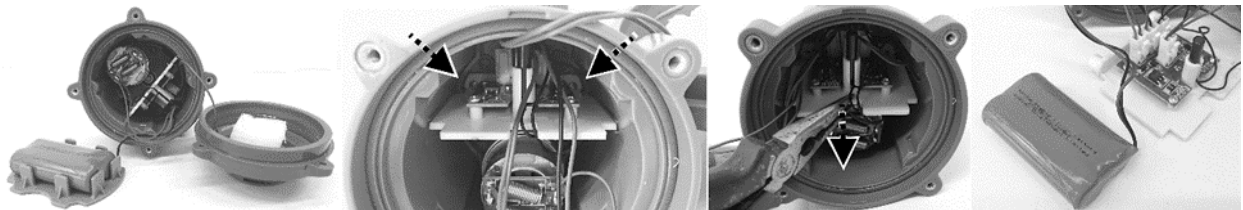
- Utiliser le tournevis Philips pour desserrer toutes les vis sur le corps principal.



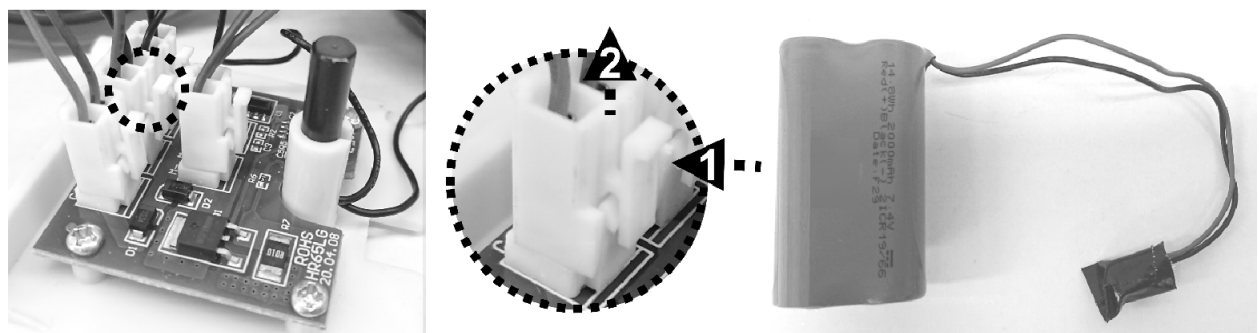
- Séparer le corps en deux moitiés pour accéder à l'unité principale. Utiliser un tournevis Philips pour desserrer toutes les vis sur le capot d'extrémité et retirer le capot d'extrémité pour accéder au bloc-batterie.



- Utiliser un tournevis pour desserrer la vis sur le coin de la plaque de support rectiligne. Utiliser une fixation pour retirer la plaque afin de laisser à découvert le PCB et ses serre-fils.





- Situer le connecteur du milieu comme montré – appuyer sur son clip et l'extraire. NOTE: Enrouler le connecteur immédiatement avec du ruban isolant pour éviter un court-circuit causé par un contact des deux bornes de fils.



DEPANNAGE

Problème	Cause possible	Solution
L'aspirateur n'aspire pas les débris	La batterie est déchargée	Recharger la batterie à nouveau
	La turbine est bloquée	Éteindre l'aspirateur et vérifier visuellement que la turbine ne soit pas bloquée par de gros débris. Si possible, utiliser un petit outil afin de retirer les débris et débloquer la turbine. Si nécessaire, contactez votre concessionnaire pour des instructions supplémentaires. AVERTISSEMENT ! S'assurer que l'aspirateur de piscine soit bien débranché lorsque l'unité est en cours d'entretien.
	La turbine est cassée	Contactez votre concessionnaire pour le remplacement de la turbine.
Les débris s'échappent du filtre	La cage de filtre est pleine	Nettoyer la cage de filtre.
	Rabat d'aspiration est cassé	Le rabat d'aspiration fonctionne comme une porte pour empêcher les débris de s'échapper du filtre. Contactez le concessionnaire pour les pièces de rechange et les instructions nécessaires.
	La cage de filtre et endommagée	Remplacer avec une nouvelle cage de filtre.
La valve de drainage d'eau est cassée	La valve de drainage d'eau est cassée	Sans la valve de drainage l'aspirateur pourrait aspirer des débris par l'ouverture et salir l'eau filtrée.
	La broche latérale sur la connecteur du manche est cassée	Remplacer avec une nouvelle connecteur de manche.
La connecteur du manche télescopique ne peuvent pas être fixés dans le montage	La broche latérale sur la connecteur du manche est cassée	Remplacer avec une nouvelle connecteur de manche.
L'aspirateur de piscine est activé bien que l'interrupteur indique qu'il est hors tension	La présence d'objets magnétiques à proximité a mis sous tension par inadvertance le moteur	Eloignez les objets magnétiques ou l'aspirateur les uns des autres.
L'aspirateur de piscine ne peut pas être chargé / rechargé	La batterie est endommagée	Contactez le concessionnaire pour le remplacement de la batterie. AVERTISSEMENT ! NE PAS ouvrir l'aspirateur de piscine et remplacer la batterie de par vous-même. Cela pourrait causer des blessures graves ou mortelles et la garantie serait annulée de ce fait.
	Les plaques du chargeur sur la base de chargement et l'aspirateur de piscine ne font pas contact correctement	S'assurer que la base du chargeur est complètement montée sur l'aspirateur de piscine et que leurs plaques de contact sont correctement mises en contact
	L'adaptateur externe est endommagé	Contactez votre concessionnaire pour le remplacer. AVERTISSEMENT ! L'utilisation d'un adaptateur externe incorrect donnera pour résultat l'endommagement de l'aspirateur de piscine / batterie et annulera de ce fait la garantie.
Le temps de fonctionnement est plus court que celui espéré	La batterie n'est pas complètement chargée	Charger l'aspirateur de piscine au moins pendant 6 heures. NOTE : si des taches sont trouvées sur les plaques de contact de chargement, les éliminer en utilisant un bâtonnet de coton imbibé de jus de citron ou de vinaigre.

Programmes environnementaux, Directive européenne DEEE

	Veillez respecter les réglementations de l'Union européenne et aider à protéger l'environnement. Portez les équipements électriques qui ne fonctionnent pas à une installation désignée par votre municipalité qui recycle correctement les équipements électriques et électroniques. Ne les jetez pas dans des poubelles sans triage. Pour les articles contenant des batteries démontables, retirer les batteries avant d'éliminer le produit.
	© 2021 BWT Holding GmbH. 21010025 Tous droits réservés. Aucune partie de ce document ne peut être reproduite ou transmise sous une forme quelconque ou par tous moyens, électroniques, mécaniques, photocopies, enregistrement ou de toute autre façon, sans l'autorisation écrite préalable de BWT Holding GmbH. (V1)

Si vous avez besoin d'une copie sur papier de ce manuel d'instructions, veuillez contacter notre service clientèle par email.

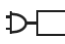
CONSERVER CE MANUEL

AVISOS E INSTRUCCIONES DE SEGURIDAD

La información contenida en este Manual de instrucciones le ayudará a operar el artículo de forma segura, protegerse a sí mismo y a otros de los peligros, y evitar daños al dispositivo y otras propiedades.

GUARDE ESTAS INSTRUCCIONES

¡ATENCIÓN!

- Este dispositivo no es un JUGUETE. Mantenga a los niños lejos de esta aspiradora de piscina y de sus accesorios.
- Los niños no deben usar este aspiradora de piscina.
- Este aparato no está diseñado para ser utilizado por personas con capacidades físicas, sensoriales o mentales disminuidas o falta de experiencia y conocimiento, a menos que estén bajo supervisión o hayan recibido instrucciones para el uso del dispositivo por parte de una persona responsable de su seguridad y entiendan los peligros que entraña.
- Los niños no deben jugar con este aspiradora de piscina.
- La limpieza y el mantenimiento del aspiradora de piscina no deben ser realizados por niños.
- Asegúrese de que la aspiradora de piscina está totalmente sumergida en el agua antes de usarla. El nivel mínimo de agua necesario para usar el dispositivo debe estar por encima del interruptor de encendido / apagado de la aspiradora de piscina en posición vertical. El uso de la aspiradora de piscina, si no está correctamente sumergida en el agua, podría dañar la unidad y anular la garantía.
- La profundidad máxima a la que se puede usar el dispositivo es de 3 metros.
- Temperatura máxima del agua: 5 °C–35 °C.
-  Unidad de alimentación desmontable (adaptador externo).
- La aspiradora de piscina únicamente debe recargarse con el adaptador externo y el base de carga suministrados con este producto.
- Para recargar la batería, utilice exclusivamente la unidad de fuente de alimentación extraíble (número de modelo de adaptador externo: DSS12D-0841000-B / DSS12D-0841000-C / DSS12D-0841000-D / LX084100U) provista con la aspiradora de piscina.
- Conecte el adaptador externo a una fuente de alimentación mediante un interruptor diferencial (ID) (también conocido como RCD) / un interruptor de circuito por defecto a tierra (GFCl, por sus siglas en inglés). En caso de duda, consulte a un electricista profesional cualificado.
- No use esta aspiradora de piscina si detecta cualquier daño.
- Cambie las piezas dañadas con piezas certificadas por el distribuidor o el fabricante
- Desactive el dispositivo, desconecte el adaptador externo de la fuente de alimentación y desenchufe el adaptador externo de la base de carga

- antes de retirar la aspiradora de piscina de la base de carga.
- Desconecte la aspiradora de piscina de la corriente general y asegúrese de que esté apagada antes de realizar las tareas de mantenimiento habituales, como limpiar el filtro y las placas de contacto para la recarga.
- NO intente cambiar la batería recargable de iones de litio preinstalada.
- NO manipule el aspiradora de piscina el adaptador externo y el base de carga mientras se tenga extremidades húmedas y sin zapatos.
- No debe usar esta aspiradora de piscina si hay personas/mascotas en el agua.
- NO use esta aspiradora de piscina sin un filtro rígido intacto instalados, ya que de lo contrario la garantía quedará anulada.
- Peligro de atrapamiento por succión: Esta aspiradora de piscina genera succión. No permita que su pelo, cuerpo o prendas sueltas entren en contacto con el orificio de succión de la aspiradora de piscina cuando esté en funcionamiento.
- No introduzca nunca partes del cuerpo, ropa u otros objetos en las aberturas y piezas móviles de la aspiradora de piscina.
- NO use este aspiradora de piscina para recoger sustancias líquidas tóxicas, inflamables o combustibles (como gasolina), ni en presencia de vapores explosivos o inflamables.
- No intente, bajo ninguna circunstancia, desmontar la aspiradora de piscina y sustituir el propulsor, el motor y la batería por sí mismo.
- Nunca debe introducir los dedos ni ningún objeto para tocar el propulsor.
- La extracción de la batería incorporada para su eliminación debe realizarla un técnico especializado.
- Este aspiradora de piscina incluye una batería que solo puede ser desmontada por personal formado.
- Debe desconectar el aspiradora de piscina de la alimentación eléctrica al retirar la batería.
- Para obtener más detalles sobre la eliminación de la batería, consulte la sección "ELIMINACIÓN DE LA BATERÍA" de este manual y póngase en contacto con las autoridades locales para obtener más información.
- La batería debe desecharse de manera segura y de acuerdo con las ordenanzas o regulaciones.

- Adaptador externo y base de carga:
 - Sólo debe usar el adaptador externo y la base de carga para recargar la batería de la aspiradora de piscina suministrada en el mismo paquete.
 - El adaptador externo y el base de carga no deben usarse en el exterior, ni deben exponerse a la lluvia, la humedad, líquidos o fuentes de calor.
 - El transformador (o adaptador externo) debe estar situado fuera de la zona 1
 - Mantenga el adaptador externo y la base de carga fuera del alcance de los niños.

- Nunca debe usar el adaptador externo ni la base de carga si detecta cualquier daño.
- NO coja el adaptador externo ni la base de carga con las manos mojadas.
- Mientras el dispositivo se esté cargando, NO manipule la aspiradora de piscina, el adaptador externo ni la base de carga, con las manos mojadas y sin zapatos.
- Mantenga el adaptador externo desconectado de la corriente eléctrica cuando no lo esté usando.
- No intente abrir el adaptador externo ni la base de carga.
- Si el cable de alimentación del adaptador externo está dañado, el fabricante o su proveedor de servicios debe reemplazar el adaptador externo para prevenir cualquier posible riesgo.
- Asegúrese de que la aspiradora de piscina y la base de carga están completamente secas antes de iniciar la recarga.

¡PRECAUCIÓN!

- Esta aspiradora de piscina sólo está diseñada para ser usada bajo el agua; no es una aspiradora de uso general. NO intente usarla para limpiar una superficie que no sea su piscina/spa.
- Sólo debe usar accesorios originales provistos junto con este producto.
- NO use esta aspiradora de piscina justo después de aplicar el tratamiento de choque a la piscina. Se recomienda dejar circular el agua de la piscina durante al menos 24-48 horas.
- Si tiene una piscina de agua salada, asegúrese de que toda la sal esté disuelta antes de introducir el aspiradora de piscina en el agua.
- NO use este aspiradora de piscina al mismo tiempo que otra aspiradora / aspiradora eléctrica
- Evite recoger objetos duros y afilados con este dispositivo. Podrían dañar la aspiradora de piscina y el filtro.
- Tenga cuidado al limpiar las escaleras de la piscina.
- Para evitar daños en el adaptador externo y el base de carga, no transporte el aspiradora de piscina por el cable del adaptador externo / base de carga y no tire del cable desconectar de la fuente de alimentación y el base de carga.
- Recargue la aspiradora de piscina en una zona interior limpia y seca, con buena ventilación y con una temperatura ambiente de entre 5°C y 35°C.
- NO deje la aspiradora de piscina cargando durante más de 10 horas.
- Si no va a usar la aspiradora de piscina durante un periodo de tiempo prolongado, sepárela de la base de carga y use un paño húmedo para limpiar y secar la con sus accesorios. Asegúrese de cargar el limpiafondos entre el 30 % y el 50 % de la capacidad de su batería antes de guardarlo. Guárdela en una zona bien ventilada y libre de luz solar, calor, fuentes de ignición y productos químicos para piscina, fuera del alcance de los niños. No deje nunca la aspiradora de piscina conectada si va a guardarla durante un periodo de tiempo prolongado. Recargue la aspiradora de piscina cada tres meses.

Los avisos y precauciones anteriores pueden no incluir todas posibles situaciones de riesgo y/o lesiones graves. Los propietarios de piscina/spa deben tener siempre mucho cuidado y sentido común al utilizar el producto.

Observación: Las fotografías/ilustraciones del producto o de sus piezas que aparecen en este manual solo se incluyen a modo de muestra. El producto o las piezas que aparecen en las fotografías/ilustraciones pueden variar respecto al modelo adquirido.

Todos los accesorios / piezas en este manual y el diagrama de las partes no están incluidos con todos los modelos

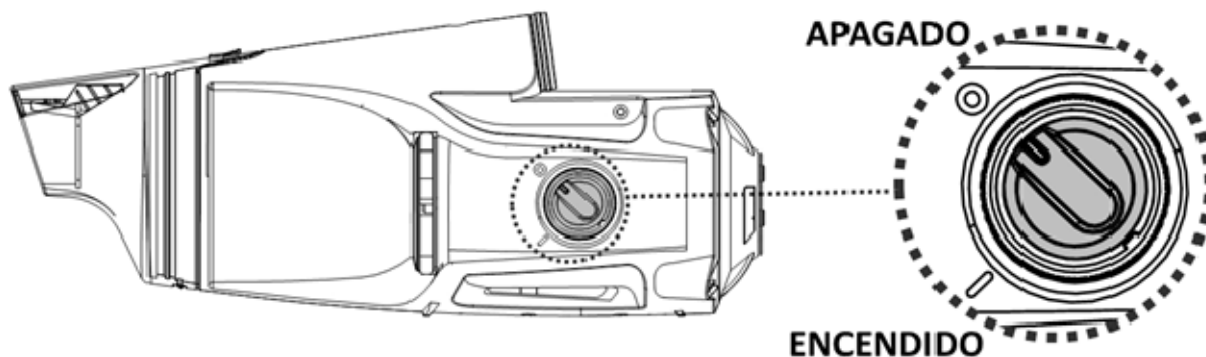
PRIMEROS PASOS

Cargando la batería

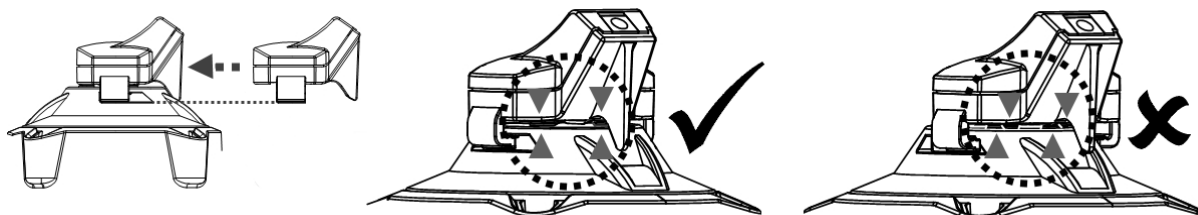
AVISO IMPORTANTE: Recargue completamente el aspiradora de piscina (unas 6 horas) antes de usarlo por primera vez.

¡ATENCIÓN!

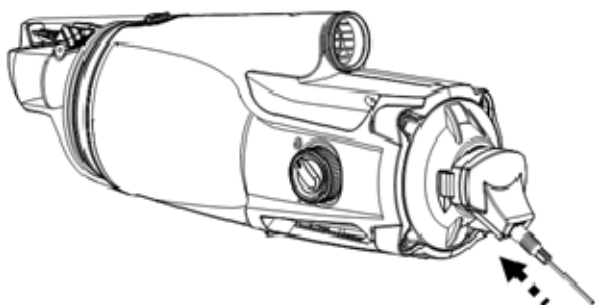
- Solo debe usar el adaptador externo y el base de carga originales incluidos en el producto.
 - Asegúrese de que la aspiradora de piscina y las placas de contacto para la recarga estén limpias y secas antes de cargar el aparato. (CONSEJO: Utilice un bastoncillo de algodón para secar las placas de contacto para la recarga.)
 - La carga debe ser hecho dentro, en un área bien ventilada lejos de luz del sol, niños, calor, fuentes de ignición, y con una temperatura ambiental entre 5°C y 35°C.
 - Nunca debe usar el adaptador externo ni la base de carga si detecta cualquier daño.
 - Las placas de contacto para la recarga son impermeables. Sin embargo, si quedan restos de agua en placas de contacto pueden aparecer manchas (un efecto ocasionado por la reacción química natural entre el agua y la corriente eléctrica). En caso de aparecer manchas, elimínelas frotándolas con cuidado con un bastoncillo de algodón impregnado en zumo de limón o vinagre.
 - Asegúrese de que la aspiradora de la piscina esté apagada antes de cargarla.
1. Coloque la unidad sobre una superficie plana. Asegúrese de que la aspiradora de la piscina esté apagada girando el interruptor de ENCENDIDO / APAGADO a la posición de "APAGADO" antes de cargar.



2. Alinee y deslice el gancho de la base de carga en la muesca lateral en la parte inferior del cuerpo principal hasta que se detenga. Asegúrese de que las placas de contacto estén correctamente en contacto



3. Enchufe el conector del adaptador externo en el puerto de carga al final de la base de carga.



4. Conecte el adaptador externo a la fuente de alimentación. Cuando la aspiradora de piscina empiece a cargarse, el piloto indicador del adaptador externo se pondrá rojo. Normalmente se tardan unas 4-6 horas en conseguir una carga completa. El piloto indicador se pondrá verde cuando la aspiradora de piscina esté casi cargada al máximo.

NOTA: Si el motor hace ruido, asegúrese de que el interruptor se encuentre en la posición de "APAGADO".

- Desconecte inmediatamente el adaptador externo de la fuente de alimentación si detecta cualquiera de las siguientes condiciones:
 - Olor extraño o inusual
 - Calor excesivo
 - Deformación, grietas o fugas
 - Humo

5. Cuando la carga haya terminado, desconecte el adaptador exterior de la fuente de alimentación y desenchufe el base de carga de la unidad y del adaptador externo.

En condiciones normales, la aspiradora de piscina se puede usar hasta 30 minutos si tiene carga completa (recargada durante 4-6 horas)

NOTA: Limpie el filtro rígido regularmente. El exceso de suciedad en el filtro rígido aumenta el trabajo del motor y, como consecuencia, disminuye el tiempo de funcionamiento.

HECHO: La batería recargable de iones de litio está clasificada como un producto consumible. Tiene una vida útil limitada y perderá gradualmente su capacidad de retener la carga. Así pues, el tiempo de funcionamiento de la aspiradora de piscina se reducirá gradualmente a medida que se cargue y se descargue la aspiradora por su uso.

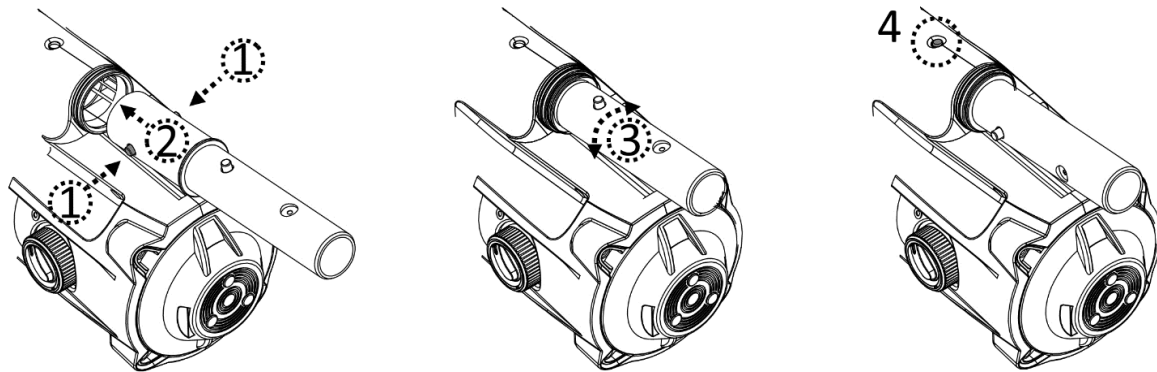
Cuando se agote la vida útil de la batería, consulte en el apartado «ELIMINACIÓN DE LA BATERÍA» las instrucciones para eliminar la batería.

NOTA: Deje reposar la aspiradora de piscina durante unos 30 o 40 minutos antes de volverla a cargar.

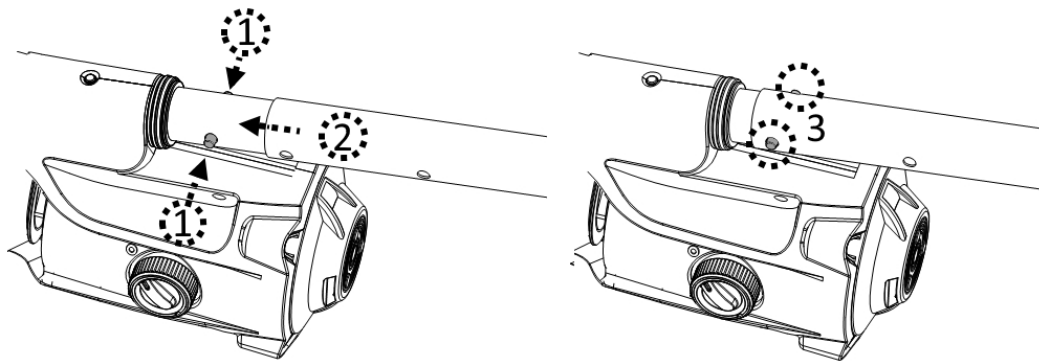
Montaje previo al uso

Asamblea del la pértiga telescópica(no incluido) (solo para USA/EU)

Pulse los dos pasadores laterales del conector de la pértiga telescópica y insertarlo dentro el cuerpo principal. Giren el conector en cualquier dirección hasta que los pasadores queden fijados en los orificios, como indicado en el diagrama.

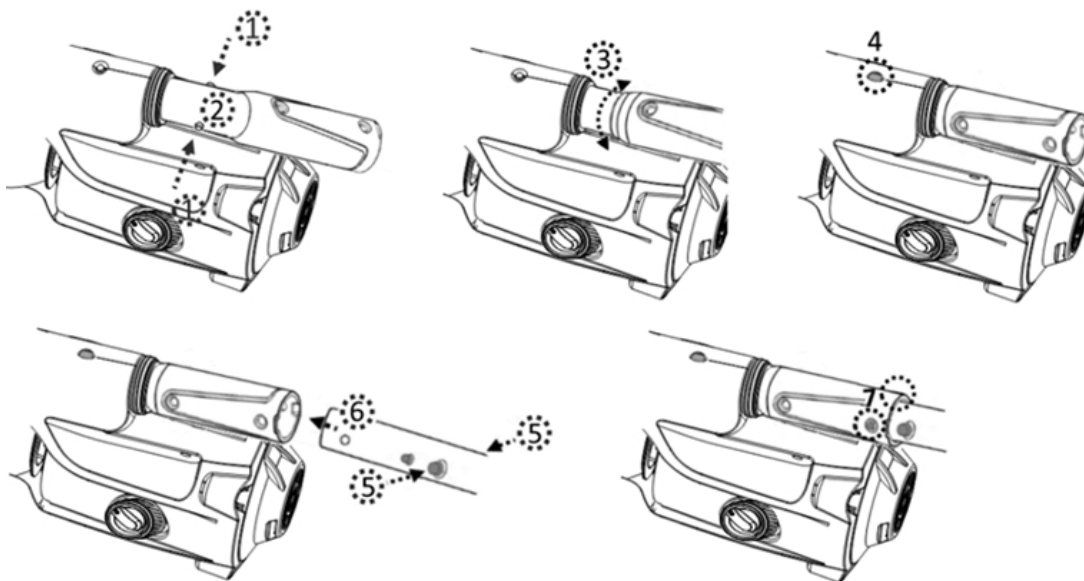


Inserte el conector dentro la pértiga telescópica. Pulse los pasadores laterales del conector y deslice la pértiga telescópica hasta que los pasadores laterales queden fijados en los orificios de la pértiga.



Para liberar la pértiga telescópica, pulse los pasadores laterales simultáneamente y tire la pértiga.

Asamblea del la pértiga telescópica específico (no incluido) (solo para Australia/Nueva Zelanda)
 Inserte el extremo (con los dos pasadores laterales) del conector de la pértiga telescópica específico en la aspiradora de piscina, tal como se muestra en las imágenes, hasta que los pasadores laterales queden bien fijados en el orificio de bloqueo del conector de la pértiga situado en la parte posterior del cuerpo del aparato. Acople la pértiga telescópica (con clip de espoleta interno) al conector de la pértiga tal como se muestra en las ilustraciones:



Preparación de la piscina

- Si hay piedras, raíces o corrosión metálica en contacto con la parte inferior del revestimiento, retírelas antes de usar el aspiradora de piscina. Pida la ayuda de un profesional cualificado si fuera necesario.
- Si el revestimiento está resquebrajado, dañado o arrugado, contacte con un profesional cualificado para que realice las reparaciones necesarias o sustituya el revestimiento antes de usar el aspiradora de piscina.
- Si tiene una piscina de agua salada, asegúrese de que toda la sal esté disuelta antes de introducir el aspiradora de piscina en el agua.

FUNCIONAMIENTO

¡ATENCIÓN!

- Asegúrese de apagar el aspiradora de piscina.
 - No use la aspiradora de piscina si detecta cualquier daño.
 - Es posible que se generen manchas de aceite causadas por el derrame de lubricante que se suele aplicar al anillo sellador.
 - No debe usar esta aspiradora de piscina si hay personas/mascotas en el agua.
 - Asegúrese de que la aspiradora de piscina esté completamente sumergida en el agua antes de ponerla en funcionamiento. El nivel mínimo de agua requerido para operar la aspiradora de piscina debe llegar por encima del interruptor de encendido / apagado de la aspiradora de piscina cuando se mantiene en posición vertical. Utilizar la aspiradora sin estar correctamente sumergida podría dañarla e invalidar la garantía.
 - NO use la aspiradora de piscina sin un filtro rígido intacto instalados. El uso de la aspiradora de piscina sin un filtro rígido intacto instalados ANULARÁ su garantía.
 - NO deje la aspiradora de piscina en el agua cuando no la esté usando.
- 1) Lleve la aspiradora de piscina hacia el lateral de la piscina/spa. Sumérjala en el agua y gire el interruptor de ENCENDIDO y APAGADO hacia la posición "ENCENDIDO" para ponerla en funcionamiento.

¡PRECAUCIÓN! Asegúrese de que la aspiradora de piscina siempre esté colocada hacia abajo al introducirla en la piscina. Si no, el conector de la pértiga podría doblarse y dañarse durante el proceso.

- 2) Para sacar la aspiradora de la piscina/spa, levántela apuntando hacia abajo para que el agua que contenga salga por la válvula de drenaje. El agua saldrá por el mango / conector de la pértiga por los orificios de drenaje situados dentro del depósito del mango, en la carcasa trasera.

¡PRECAUCIÓN! Asegúrese de que la aspiradora de piscina siempre esté apuntando hacia abajo al sacarla de la piscina. Si no, el conector de la pértiga podría doblarse y dañar la aspiradora de piscina.

- 3) Enjuague la aspiradora de piscina con agua limpia tras cada uso. NO use detergente

VACIADO DEL FILTRO

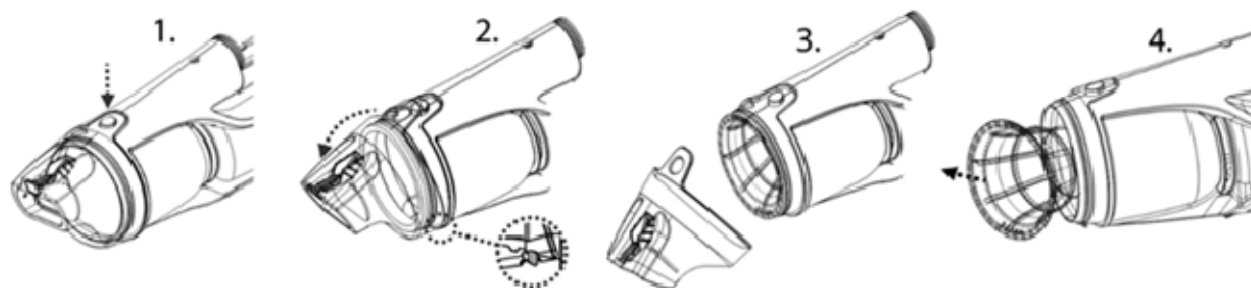
¡ATENCIÓN! El uso de la aspiradora de piscina sin un filtro rígido instalado ANULARÁ su garantía.

Para maximizar la eficiencia del lavado, asegúrese de limpiar el filtro rígido antes y después de cada uso.

¡PRECAUCIÓN! Si la aspiradora de piscina se está recargando, desconecte el adaptador externo de la fuente de alimentación y retire la aspiradora de la base de carga. Asegúrese de apagar el aspiradora de piscina.

• Vaciado del filtro rígido

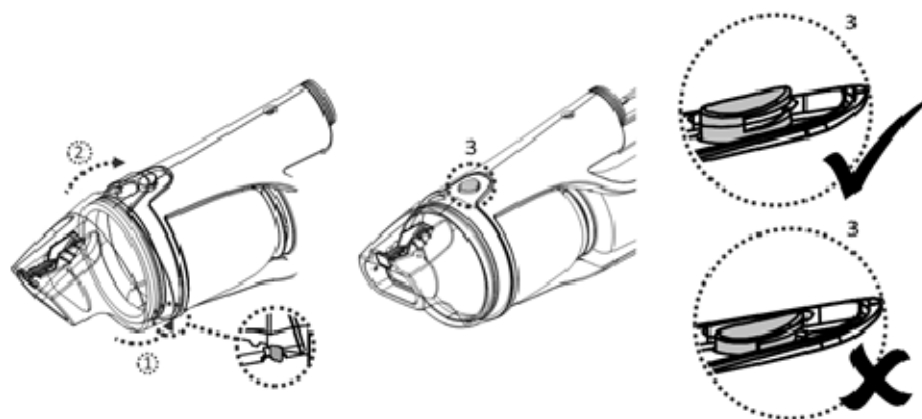
1. Coloque la aspiradora de piscina sobre una superficie estable.
2. Pulse el botón de bloqueo para liberar el orificio del contenedor transparente. Deslice el contenedor transparente para liberar el orificio en la parte trasera hasta que el contenedor y el cuerpo principal sean completamente separados. Retire el filtro rígido del cuerpo principal.



¡PRECAUCIÓN! Sustituya el filtro rígido dañado inmediatamente por uno nuevo antes de volver a usar el dispositivo.

3. Vacíe el filtro rígido y limpie el interior del filtro rígido. Se recomienda limpiar la red del filtro rígido con agua. Si cree necesario cepillarla, use un cepillo suave para limpiarla con cuidado. NO aplique presión a la red.
4. Re-posicione el filtro rígido dentro el cuerpo principal. Asegúrese que el filtro rígido sea completamente dentro el cuerpo.

Para re-instalar el contenedor transparente al cuerpo principal, alinee el orificio del lado trasero con el gancho del cuerpo principal y apreté el contenedor transparente en el cuerpo principal. Asegúrese que el orificio de bloqueo del contenedor transparente quede fijado con el botón de bloqueo.



MANTENIMIENTO Y ALMACENAMIENTO

NOTA:

1. Asegúrese de limpiar y secar las placas de contacto para la recarga después de cada uso para evitar que aparezcan manchas (ocasionadas por una reacción química natural entre la corriente eléctrica y el agua). En caso de aparecer manchas, puede eliminarlas frotándolas suavemente con un bastoncillo de algodón impregnado en zumo de limón o vinagre.
2. La batería se descarga durante los periodos de almacenamiento. Asegúrese de cargar el limpiafondos entre el 30 % y el 50 % de la capacidad de su batería antes de guardarlo.
3. Debe recargar la batería al menos una vez cada tres meses si no la va a usar.
 - Desenchufe el adaptador externo del enchufe y desconecte el conector adaptador de la base de carga.
 - Separe los accesorios de la aspiradora de piscina. Si fuera necesario, enjuague la aspiradora de piscina y sus accesorios con agua limpia. NO use detergente.
 - Asegúrese de drenar el agua del mango a través del orificio situado en la parte inferior.
 - Use un paño húmedo para limpiar y secar la aspiradora de piscina y sus accesorios.
 - Guárdelos en una zona bien ventilada y libre de luz solar, calor, fuentes de ignición y productos químicos para piscina, fuera del alcance de los niños. La temperatura ambiente de almacenamiento debe ser de 10 °C - 25 °C. NOTA: Una temperatura de almacenamiento superior podría reducir la vida útil de la batería.

¡ATENCIÓN!

- No intente nunca desmontar la aspiradora de piscina.
- No intente, bajo ninguna circunstancia, desmontar la aspiradora de piscina y sustituir el propulsor, el motor y la batería por sí mismo.

¡PRECAUCIÓN!

- El calor excesivo puede dañar la batería y reducir su vida útil.

Consulte con su distribuidor para la sustitución de la batería si ocurre lo siguiente:

- La batería parece dañada o no se carga completamente.
- El tiempo de funcionamiento de la batería se ha reducido considerablemente. Observe y anote el tiempo de funcionamiento durante los primeros usos (con una carga completa). Use esta información como referencia para comparar el tiempo de funcionamiento en el futuro.
- La batería debe sacarse de la aspiradora de piscina antes de ser desechada.
- La aspiradora de piscina debe estar desconectada de la alimentación eléctrica para retirar la batería.
- La batería debe desecharse de manera segura y de acuerdo con las ordenanzas o regulaciones locales.

NOTA: Un mantenimiento incorrecto puede reducir la vida útil de la batería y afectar a su capacidad.

ELIMINACIÓN DE LA BATERÍA (Debe hacerlo un técnico autorizado)

Su aspiradora de piscina está equipada con un paquete de baterías de iones de litio recargable que no requiere mantenimiento y que debe ser desechado correctamente. Su reciclaje es obligatorio; contacte con su autoridad local para obtener más información.

¡ATENCIÓN! Nunca debe intentar desmontar un paquete de baterías.

- Retire todos los objetos personales, como anillos, pulseras, collares y relojes, cuando el paquete de baterías esté desconectado de la aspiradora de piscina.
- Una batería puede generar una corriente de cortocircuito lo suficientemente elevada como para soldar un anillo (u objeto similar) al metal, causando graves quemaduras.
- Al retirar el paquete de baterías debe llevar gafas protectoras, guantes y ropa protectora.
- Evite tocar los cables y que éstos entren en contacto con cualquier objeto metálico, lo cual podría causar chispas y/o un cortocircuito en la batería.
- No fume ni permita la presencia de chispas o llamas cerca de la batería ni de la aspiradora de piscina.
- No exponga la batería al fuego o a calor intenso, ya que se podría producir una explosión.

¡PRECAUCIÓN!

Si se produce una fuga, evite entrar en contacto con los líquidos y coloque la batería dañada en una bolsa de plástico.

- Si los líquidos de la fuga entran en contacto con piel o ropa, lávese inmediatamente con mucha agua y jabón.
- Si los líquidos de la fuga entran en contacto con sus ojos, no los frote; láveselos inmediatamente con agua fresca durante un mínimo de 15 minutos sin frotar. Busque atención médica lo antes posible.

Cómo retirar el paquete de baterías solo para la eliminación de la batería **(debe hacerlo un técnico autorizado)**

Herramientas recomendadas (no incluidas): Destornillador Philips y destornillador con punta pequeña.

1. Pulse el botón de bloqueo para separar el recipiente transparente de la carcasa. Ayúdese de un destornillador pequeño para separar la anilla de la carcasa. Si le resulta difícil desprenderla con el destornillador, utilice unos alicates de corte para cortarla.



RESOLUCIÓN DE PROBLEMAS

Problema	Posible causa	Solución
La aspiradora de piscina no captura la suciedad	La batería se está acabando	Vuelva a cargar la batería.
	El propulsor está atascado	Apague la aspiradora de piscina y compruebe visualmente el hueco situado en el centro de la aspiradora para ver si el propulsor está atascado a causa de restos grandes. Si es posible, use una herramienta pequeña para retirar los restos con mucho cuidado. Si es necesario, contacte con su proveedor para obtener más instrucciones. ¡ATENCIÓN! Asegúrese de que la aspiradora de piscina está desconectada antes de manipular la unidad.
	El propulsor está roto	Contacte con su proveedor para sustituir el propulsor.
	El filtro rígido está lleno	Limpie el filtro rígido.
La suciedad sale del filtro	La solapa de la boquilla de succión está rota	La solapa de la boquilla de succión actúa como una puerta, evitando que la suciedad salga del filtro. Contacte su proveedor para sustituir piezas y recibir instrucciones.
	La red de filtro rígido está dañada	Sustituya con un filtro rígido nuevo.
	La válvula de salida se sale	Sin la válvula de salida, la aspiradora de piscina podría succionar restos a través de esta abertura. Contacte con su proveedor para sustituir la válvula.
No es posible ensamblar de manera segura el conector de pértiga telescópica	El pasador lateral del conector de la pértiga está roto	Sustitúyalo por un conector de pértiga nuevo.
La aspiradora de piscina está activada aunque el interruptor indica que está apagada	La presencia de objetos magnéticos en las proximidades ha enendido el motor sin querer	Aleje los objetos magnéticos de la aspiradora de piscina.
La aspiradora de piscina no se puede cargar / recargar	La batería está dañada	Contacte con su proveedor para sustituir la batería. ¡ATENCIÓN! NO abra la aspiradora de piscina ni sustituya la batería por si mismo. Podría sufrir heridas graves o fatales y la garantía quedaría anulada.
	Las placas de carga de la base de carga y la aspiradora de piscina no hacen buen contacto	Asegúrese de que la base de carga esté completamente acoplada a la aspiradora de piscina y de que sus placas de contacto hagan buen contacto.
	El adaptador externo no funciona	Contacte con su proveedor para la sustitución. ¡ATENCIÓN! Si usa un adaptador externo incorrecto podría dañar la aspiradora de piscina / la batería, por lo que la garantía quedaría anulada.
El tiempo de funcionamiento es inferior al esperado	La batería no está completamente cargada	Cargue la aspiradora de piscina al menos durante 6 horas. NOTA: Si aparecen manchas en las placas de contacto para la recarga, límpielas con un bastoncillo de algodón impregnado en zumo de limón o vinagre.
Programas medioambientales, Directiva Europea WEEE		
	Respete las regulaciones de la Unión Europea y ayúdenos a proteger el medio ambiente. Devuelva los equipos eléctricos desechados al punto indicado por su municipio, en el que se recicle correctamente el equipo eléctrico y electrónico. No lo deposite en contenedores de basura sin separar. En el caso de objetos que incluyan pilas, sáquelas antes de depositar el producto.	
	© 2021 BWT Holding GmbH. Todos los derechos reservados. Queda prohibida la reproducción o transmisión parcial o total de este documento de ninguna forma y por ningún medio electrónico, mecánico, en fotocopia, grabación u otros, sin la autorización previa por escrito de BWT Holding GmbH. (V1).	21010025

Si necesita una copia digital de este manual de instrucciones, contacte con nuestro servicio de Atención al Cliente por correo electrónico.

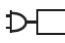
GUARDE ESTAS INSTRUCCIONES

AVVERTENZE DI SICUREZZA & ISTRUZIONI

Le informazioni contenute in questo Manuale di Istruzioni vi aiuteranno a far funzionare l'oggetto in sicurezza, a proteggere voi stessi e gli altri da pericoli e a prevenire danni al dispositivo e ad altri beni.

CONSERVARE LE PRESENTI ISTRUZIONI

ATTENZIONE!

- Questo non è un giocattolo. I bambini devono essere tenuti lontani da questo aspiratore per piscina e dai suoi accessori.
- Non permettere ai bambini di usare questo aspiratore per piscina.
- Il presente apparecchio non deve essere utilizzato da persone con ridotte capacità fisiche, sensoriali o mentali o se privi di esperienza e conoscenza, salvo siano soggetti a supervisione o se gli sono state fornite istruzioni inerenti all'uso dell'apparecchio da parte di un responsabile incaricato della loro sicurezza.
- Non è consentito ai minori di giocare con questo aspiratore per piscina.
- Non è consentita ai minori la manutenzione e la pulizia del aspiratore per piscina.
- Assicurarsi che l' aspiratore per piscina sia completamente immerso nella piscina prima di avviare il funzionamento. Il livello minimo dell'acqua richiesto per azionare l'aspiratore per piscina deve oltrepassare l'interruttore di accensione / spegnimento dell'aspiratore per piscina quando è tenuto in posizione verticale. L'utilizzo dell'aspiratore per piscina quando non è immerso correttamente potrebbe danneggiare l'unità e invalidare la garanzia.
- Massima profondità di utilizzo: 3m.
- Massima temperatura di utilizzo: da 5°C (41°F) a 35°C (95°F)
-  Unità di alimentazione rimovibile (adattatore esterno).
- L'aspiratore per piscina deve essere ricaricato solo con l'adattatore esterno e la base di ricarica forniti con questo prodotto.
- Per ricaricare la batteria, utilizzare solo l'unità di alimentazione rimovibile (numero modello adattatore esterno: DSS12D-0841000-B / DSS12D-0841000-C / DSS12D-0841000-D / LX084100U) fornita con questo pulitore per piscina per caricare la batteria.
- Collegare l'adattatore esterno a una presa elettrica tramite il dispositivo differenziale (RCD)/ un interruttore di messa a terra (GFCI). In caso di dubbi, consultare un elettricista professionista qualificato.
- Non utilizzate il aspiratore per piscina se risulta danneggiato.
- Sostituire le parte danneggiate con altre dotate dell'apposita certificazione che è stata fornita dal distributore o fabbricante.
- Spegnerne l'alimentatore, scollegare l'adattatore dall'alimentatore, e scollegare l'adattatore esterno dalla base di ricarica prima di staccare il aspiratore per piscina apparecchio dalla base di ricarica.
- Scollegare l'aspiratore della piscina dalla rete di alimentazione e assicurarsi che l'aspiratore della piscina sia spento prima di eseguire la

manutenzione regolare, come la pulizia del filtro e delle piastre di contatto di ricarica.

- Non tentare di sostituire la batteria ricaricabile agli ioni di litio installata.
 - NON maneggiare il aspiratore per piscina, l' adattatore esterno e la base di ricarica mentre è in carica con arti bagnati e senza scarpe.
 - É vietato azionare il aspiratore per piscina dell ' apparecchio in presenza di persone/ animali in acqua.
 - Non utilizzare questo aspiratore per piscina dell 'apparecchio se priva di calza filtrante in posizione , altrimenti la garanzia verrà annullata immediatamente.
 - Rischio di intrappolamento: il aspiratore per piscina funziona in aspirazione, non permettere a nessuna parte del corpo o agli indumenti di prendere contatto con la bocca di aspirazione del aspiratore per piscina durante l'utilizzo.
 - Non inserite parti del corpo, vestiti o altri oggetti all'interno delle aperture o delle parti in movimento del aspiratore per piscina.
 - NON utilizzare questo aspiratore per piscina per raccogliere sostanze tossiche, infiammabili e liquidi combustibili (ad es. Benzina) in presenza di fumi esplosivi o infiammabili.
 - Non tentare di sostituire la girante, il motore e la batteria da soli
 - Non inserire mai le dita né altri oggetti per toccare la ventola.
 - La batteria integrata deve essere rimossa da un tecnico qualificato prima di essere scaricata.
 - Quest' aspiratore per piscina contiene una batteria che dev'essere rimossa soltanto da personale qualificato.
 - L' aspiratore per piscina deve essere disconnesso dall'alimentazione principale quando la batteria viene rimossa.
 - Per i dettagli relativi al riciclaggio / smaltimento della batteria, consultare la sezione "SMALTIMENTO DELLA BATTERIA" in questo manuale e contattare le autorità locali per ulteriori informazioni.
 - La batteria dev'essere smaltita in modo sicuro, secondo quanto stabilito dalle ordinanze e i regolamenti locali.
- Adattatore esterno e base di ricarica:
- Utilizzare l'adattatore esterno e la base di ricarica unicamente per ricaricare il pacco batterie del aspiratore per piscina consegnato con la fornitura.
 - L'adattatore esterno e la base di ricarica non devono essere usati all'aperto né esposti a pioggia, umidità, qualsiasi tipo di liquido o calore.
 - Il trasformatore (o adattatore esterno) dev'essere collocato fuori dalla zona 1.
 - Mettere l'adattatore esterno e il base di ricarica fuori dalla portata dei bambini.
 - Non utilizzate l'adattatore esterno e il base di ricarica se sono danneggiati.

- Non maneggiate l'adattatore esterno e il base di ricarica con le mani bagnate.
- NON maneggiare il aspiratore per piscina, l' adattatore esterno e la base di ricarica mentre è in carica con arti bagnati e senza scarpe.
- Tenete l'adattatore disconnesso dalla rete elettrica quando non è in uso.
- Non tentate mai di aprire l'adattatore esterno e il base di ricarica
- Se il cavo di alimentazione dell'adattatore esterno è danneggiato, l'adattatore esterno deve essere sostituito dal produttore o dal suo agente di servizio per evitare rischi di qualsiasi genere.
- Accertarsi che il aspiratore per piscina e il base di ricarica siano completamente asciutti prima di iniziare la ricarica.

ATTENZIONE!

- Questo aspiratore per piscina è stato progettato per essere utilizzato solamente sott'acqua; non è un aspiratore per piscina universale. Non utilizzate il aspiratore per piscina se non per pulire la vostra piscina o SPA.
- Utilizzate solamente gli accessori originali di corredo al prodotto.
- Non utilizzare il aspiratore per piscina immediatamente dopo un trattamento shock. Si raccomanda di lasciare circolare l'acqua della piscina per almeno 24/48 ore.
- Se usi una piscina con acqua salata, accertati che tutto il sale si sia dissolto prima di collocare il aspiratore per piscina nell'acqua.
- Non è raccomandato l'uso del aspiratore per piscina contemporaneamente a un altro aspiratore per piscina automatico/aspiratore per piscina.
- Evitare di raccogliere oggetti pesanti e a punta con questo prodotto. Possono danneggiare il aspiratore per piscina e il suo filtro.
- Fate attenzione quando pulite le scale della piscina.
- Per evitare danni all'adattatore esterno e alla base di ricarica, non trasportare il aspiratore per piscina dal cavo dell'adattatore esterno/base di ricarica né tirare la corda per disconnetterlo dalla fonte di alimentazione e dalla base di ricarica
- Caricare il aspiratore per piscina in un'area interna asciutta e pulita con una buona ventilazione e con una temperatura ambiente dai 5 ai 35°C.
- Non lasciate il aspiratore per piscina in carica per più di 10 ore.
- Se il aspiratore per piscina non viene utilizzato per un lungo periodo, scollegatelo dal base di ricarica e utilizzate un panno umido per pulire e asciugare il aspiratore per piscina e i suoi accessori. Accertarsi di portare la capacità della batteria del aspiratore per piscina tra il 30% e il 50% prima di conservarlo. Riponete il aspiratore per piscina in un area ben ventilata lontano dalla luce del sole, dal calore, dai prodotti chimici e dai bambini.

Le avvertenze e precauzioni che precedono non sono intese a comprendere tutti i possibili rischi e/o lesioni. I proprietari di piscine/spa dovranno avere una speciale attenzione e usare il buon senso comune durante l'uso del prodotto.

Precisazione: I prodotti/foto dei pezzi/bozzetti nel presente manuale sono solo a scopo dimostrativo. I prodotti/pezzi nelle foto/bozzetti possono variare rispetto al modello acquistato.

Gli accessori / parti indicate in questo manuale e lo esploso ricambi non sono necessariamente incluse in ciascun modello.

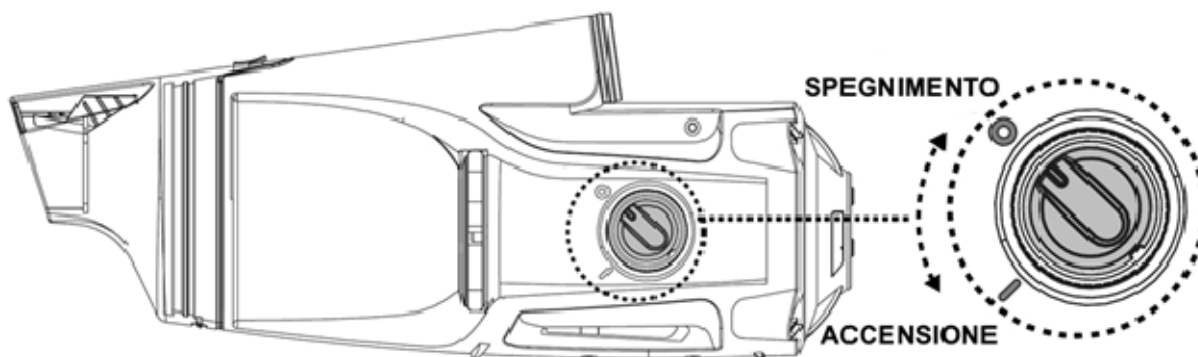
PER INIZIARE

Caricare la batteria

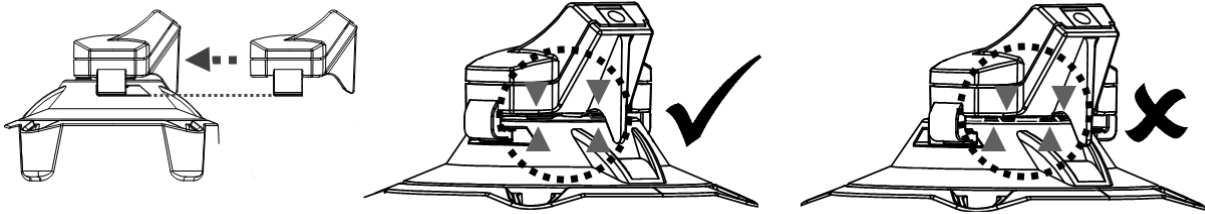
NOTA IMPORTANTE: Caricare completamente il aspiratore e per piscina (circa 6 ore) prima di usarlo per la prima volta.

ATTENZIONE!

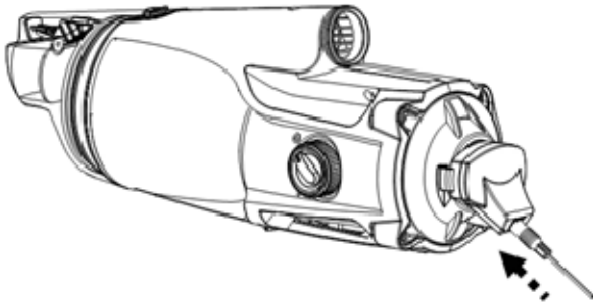
- Usare soltanto l'adattatore esterno originale e la base di ricarica fornito.
 - Assicurarsi che l' aspiratore per piscina e le piastre di contatto per la ricarica siano puliti e asciutti prima di impostare e caricare. (SUGGERIMENTO: utilizzare un batuffolo di cotone per asciugare le piastre di contatto di ricarica.)
 - La carica deve essere effettuata in casa, in una zona ben areata, lontano da luce solare, bambini, fonti di calore, combustibili, e con una temperature ambiente compresa tra 5°C e 35°C.
 - Non usare mai l'adattatore esterno e il base di ricarica se sono danneggiati.
 - Le piastre di contatto per la ricarica sono impermeabili. Tuttavia, i resti d'acqua nel porto e piastre di contatto provocare la presenza naturale di macchie (un sottoprodotto della reazione chimica tra acqua e correnti elettriche). Altrimenti, le macchie possono essere rimosse strofinando leggermente con un batuffolo di cotone imbevuto di succo di limone o aceto.
 - Assicurarsi che il aspiratore per piscina sia spento prima di ricaricarlo.
1. Posizionare l'unità su una superficie piana. Accertarsi che l' aspiratore per piscina sia spento posizionando l'interruttore ACCENSIONE / SPEGNIMENTO in posizione "SPEGNIMENTO" prima della ricarica.



2. Allineare e far scorrere il gancio della base di ricarica sulla tacca laterale nella parte inferiore del corpo principale finché non si ferma. Assicurati che le loro piastre di contatto siano correttamente a contatto.



3. Collega il jack dell'adattatore esterno alla porta di ricarica all'estremità della base di ricarica.



4. Collegare l'adattatore esterno alla fonte di alimentazione. Una volta che il aspiratore per piscina inizia a caricarsi, la spia sull'adattatore esterno diventa rossa. Normalmente, ci vogliono circa 4- 6 ore per raggiungere una carica completa. La spia diventa verde quando il aspiratore per piscina è quasi completamente carico.

NOTA: se il motore genera rumore, assicurarsi che sia selezionato "SPEGNIMENTO" sull'interruttore di alimentazione.

- Spegnere e disconnettere immediatamente l'adattatore esterno dalla fonte di alimentazione se si verifica una delle seguenti condizioni:
 - Odore sgradevole o insolito
 - Calore eccessivo
 - Deformazione, rotture, fughe
 - Fumo
5. Quando la ricarica è completa, disconnettere l'adattatore esterno dalla fonte di alimentazione e scollegare la base di ricarica dall'adattatore esterno e dall'unità.

Normalmente, il aspiratore per piscina può operare fino a 30 minuti se ha una carica completa (caricato per 4-6 ore)

NOTA: Pulire regolarmente il calza filtrante. Detriti eccessivi all'interno del calza filtrante aumentano il carico per il funzionamento del motore e di conseguenza riducono la durata operativa.

IMPORTANTE: la batteria ricaricabile agli ioni di litio è classificata come un articolo di consumo. Ha una durata di vita limitata e perderà gradualmente la sua capacità di mantenere la carica. Pertanto, la durata di funzionamento del aspiratore per piscina si ridurrà gradualmente dopo ripetute cariche ed utilizzi.

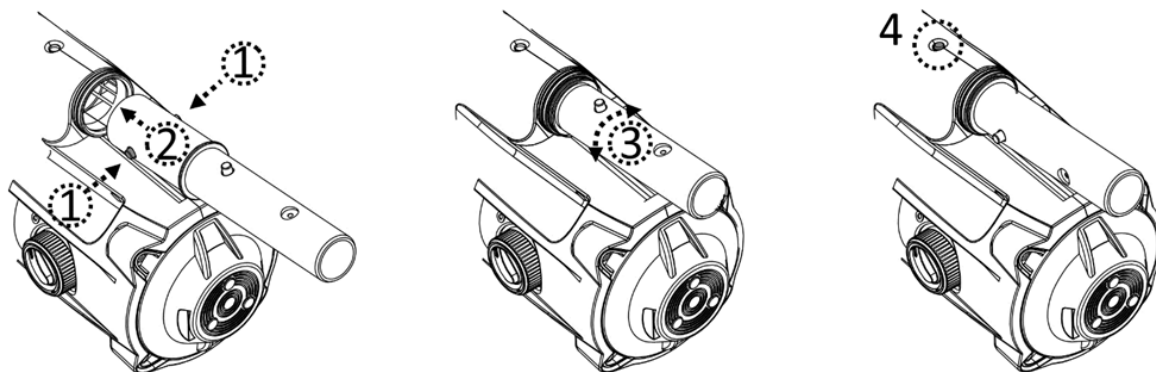
Una volta terminata la vita utile della batteria, leggere la sezione “SMALTIMENTO DELLA BATTERIA” per ottenere istruzioni per lo smaltimento della batteria.

NOTA: Lasciare riposare il aspiratore per piscina da 30 a 40 minuti prima di caricarlo di nuovo.

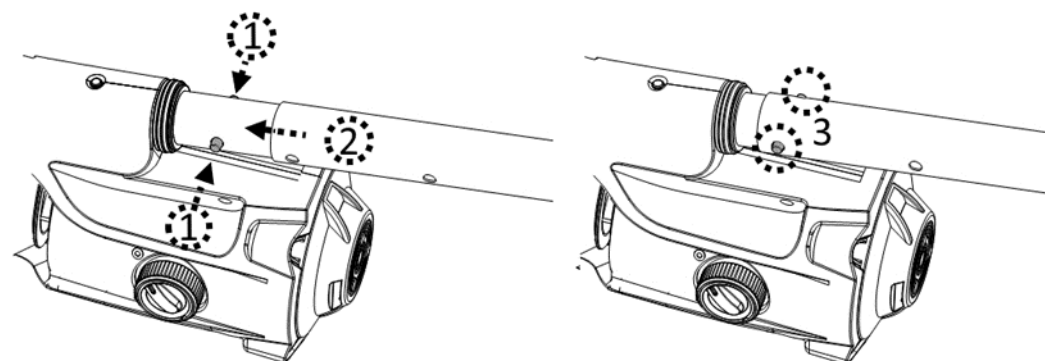
Montaggio prima dell'uso

Assemblaggio del palo telescopico(non incluso) (solo per USA / EU)

Premere i perni laterali della connettore per palo telescopico ed inserirlo all'interno del corpo principale. Ruotare il connettore in una delle due direzioni fino a quando il perno non sarà fissato nel foro, come mostrato nello schema.

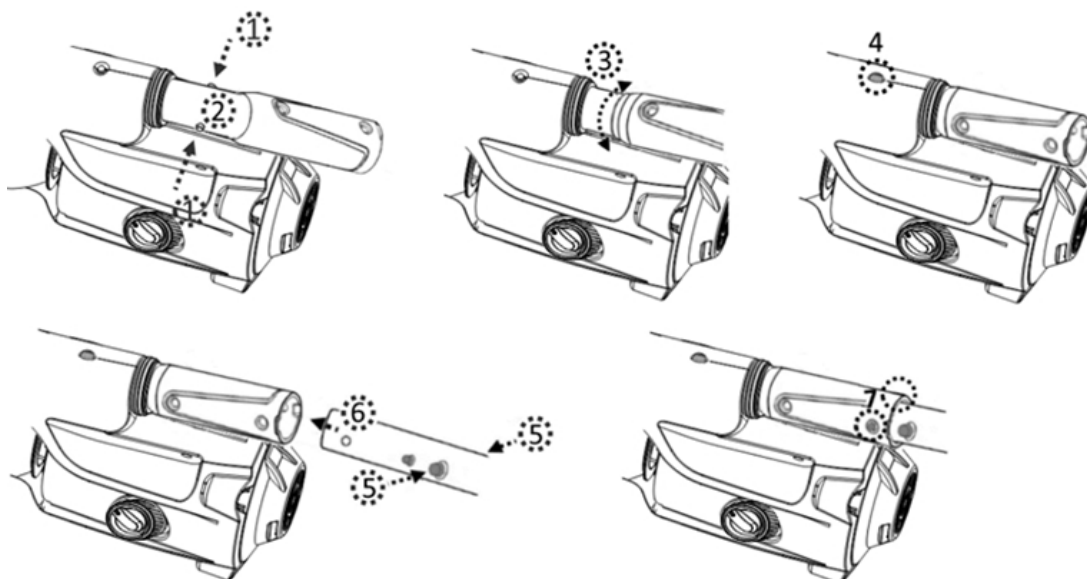


Far scorrere il manico telescopico nel connettore del palo. Premere i perni laterali del connettore e far scorrere il palo telescopico all'interno finché i perni del connettore sono fissati all'interno dei fori del palo telescopico.



Per rilasciare il palo telescopico, premere dall'esterno verso l'interno i perni laterali contemporaneamente e tirare fuori il palo telescopico.

Assemblaggio del palo telescopico specifico (non incluso) (solo per Australia/Nuova Zelanda)
Inserire l'estremità (con due perni laterali) del connettore per palo telescopico specifico nell'aspiratore per piscina come mostrato fino a quando i suoi perni laterali sono fissati al foro di bloccaggio della palo sul corpo posteriore. Per installare l'asta telescopica (con clip a forcina interna) al connettore dell'asta come mostrato.



Preparazione della piscina

- Se ci sono pietre, radici o materiali soggetti a corrosione metallica a contatto con il fondo della piscina, eliminarli prima di usare il aspiratore per piscina. Se necessario, richiedere l'aiuto di un professionista qualificato.
- Se il rivestimento è usurato, danneggiato o grinzoso, contattare un professionista qualificato per l'esecuzione delle riparazioni necessarie o procedere alla sostituzione del rivestimento prima di usare il aspiratore per piscina.
- Se usi una piscina con acqua salata, accertati che tutto il sale si sia dissolto prima di collocare il aspiratore per piscina nell'acqua

FUNZIONAMENTO

ATTENZIONE!

- Accertarsi previamente che il aspiratore per piscina sia spento
- Potrebbero esserci macchie di olio dovute a perdite di lubrificante dagli O'ring.
- Non utilizzare il aspiratore per piscina in presenza di persone/animali in piscina.
- Assicurarsi che l'aspiratore per piscina sia completamente immerso nella piscina prima di avviare il funzionamento. Il livello minimo dell'acqua richiesto per azionare l'aspiratore per piscina deve

oltrepassare l'interruttore di accensione / spegnimento dell'aspiratore per piscina quando esso è tenuto in posizione verticale. L'utilizzo dell'aspiratore per piscina quando non è immerso correttamente potrebbe danneggiare l'unità e invalidare la garanzia.

- Utilizzare il aspiratore per piscina SOLO SE il calza filtrante è integro e ben inserito. Usare il aspiratore per piscina se il calza filtrante non è inserito correttamente comporta l'ANNULLAMENTO della garanzia.
- NON lasciare il aspiratore per piscina in acqua quando non viene utilizzato

- 1) Porta l'aspiratore per piscina a lato della piscina / spa. Immergere l'aspiratore della piscina in acqua e posizionare l'interruttore di accensione / spegnimento in posizione "ACCENSIONE" per avviare il funzionamento.

ATTENZIONE!! Assicurarsi che il aspiratore per piscina sia sempre rivolto verso il basso quando viene messo in piscina, altrimenti il connettore potrebbe piegarsi e danneggiarsi durante l'utilizzo.

- 2) Per estrarre il aspiratore per piscina dalla piscine o dalla SPA, sollevare l'aspiratore, tenendolo rivolto verso il basso, per permettere all'acqua di fuoriuscire dalla valvola di scarico. L'acqua uscirà attraverso il manico e i fori di drenaggio all'interno del manico nella parte posteriore.

ATTENZIONE ! ASSICURARSI che il aspiratore per piscina sia sempre rivolto verso il basso, quando viene rimosso dalla piscina, altrimenti i connettori possono piegarsi e il aspiratore per piscina si può rovinare

- 3) Sciacquare il aspiratore per piscina con acqua pulita dopo ogni utilizzo. NON usare detersivi.

SVUOTARE IL FILTRO

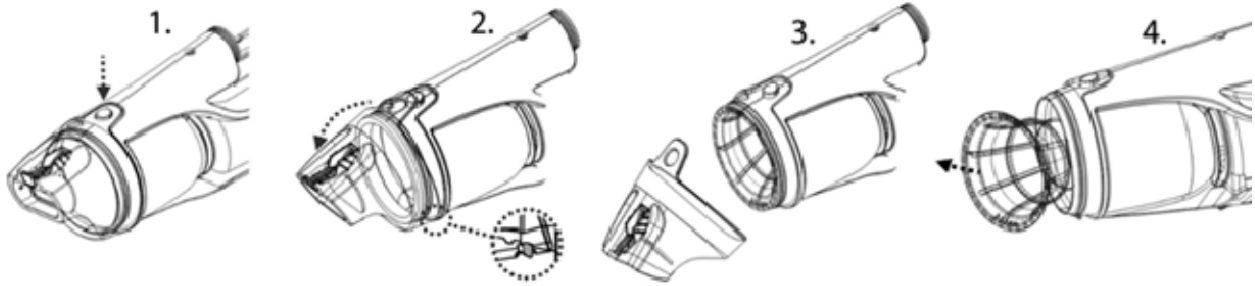
ATTENZIONE! Usare il aspiratore per piscina senza il calza filtrante annulla la garanzia.

Per ottimizzare le prestazioni di pulizia, pulire il calza filtrante prima e dopo ogni utilizzo. Attenzione! Se il aspiratore per piscina si sta caricando disconnettere l'adattatore esterno dalla rete elettrica e togliere il aspiratore per piscina dalla base di ricarica. Accertarsi previamente che il aspiratore per piscina sia spento.

• Pulire il calza filtrante

1. Posizionare il aspiratore per piscina su una superficie piana.
2. Premi il pulsante di bloccaggio finché il foro di bloccaggio sul contenitore trasparente non viene rilasciato. Fai scorrere il contenitore fino a quando la tacca sul fondo dell'apertura del contenitore non viene rilasciato dal gancio sulla parte inferiore del

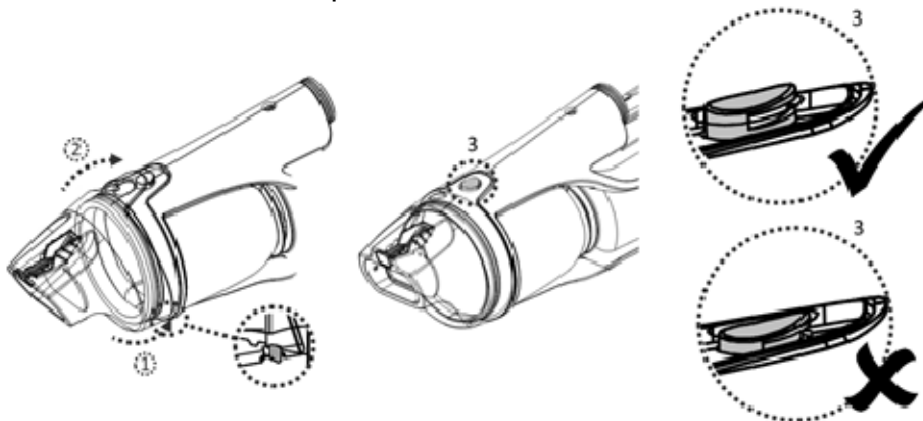
corpo principale. Togliere il calza filtrante.



ATTENZIONE! Sostituire immediatamente il calza filtrante danneggiato, prima di riutilizzare il aspiratore per piscina.

3. Rimuovere lo sporco e sciacquare calza filtrante con acqua. Se è strettamente necessario spazzolare, usare solamente una spazzola morbida per pulire il calza filtrante delicatamente e con cura.
4. Riposizionare il calza filtrante nel corpo del aspiratore per piscina. Assicurarsi che il calza filtrante sia inserito completamente all'interno del aspiratore per piscina.

Per reinstallare il filtro, prima allineare l'incavo del filtro con il gancio centrale e poi spingere il filtro nel corpo centrale. Assicurarsi che il pulsante di fissaggio del sul corpo filtro sia bloccato con il pulsante di chiusura.



MANUTENZIONE & STOCCAGGIO

NOTE:

1. Assicurarsi di pulire e asciugare le piastre di contatto di ricarica dopo ogni utilizzo per evitare la formazione di macchie (sottoprodotto di una reazione chimica naturale tra corrente elettrica e acqua). Altrimenti, le macchie possono essere rimosse strofinando leggermente con un batuffolo di cotone imbevuto di succo di limone o aceto.
2. La Batteria si scarica da sè durante il periodo di stoccaggio. Accertarsi di portare la capacità della batteria del aspiratore per piscina tra il 30% e il 50% prima di conservarlo.
3. Si deve ricaricare la batteria almeno una volta ogni tre mesi quando non è in utilizzo.
 - Disconnettere l'adattatore esterno dalla presa di corrente e quindi riconnettere il jack dell'adattatore dalla base di ricarica..

- Staccare gli accessori dall'aspiratore della piscina. Se necessario, risciacquare l'aspiratore della piscina e gli accessori con acqua fresca. Tassativo, **NON UTILIZZARE ALCUN DETERGENTE**.
- Assicurarsi di drenare l'acqua dall'unità, dalla maniglia e dal polo di connessione.
- Utilizzare un panno umido per pulire ed asciugare l'aspiratore della piscina ed i relativi accessori.
- Provvedere ad uno stoccaggio in un'area ben ventilata ed al riparo dalla luce solare, dal calore, da materiale infiammabile e da prodotti chimici e fuori dalla portata dei bambini. La temperatura dell'ambiente di stoccaggio deve essere compresa tra i 10°C – 25°C. NB: una temperatura più elevata può ridurre il ciclo di vita della batteria durante lo stoccaggio stesso

ATTENZIONE!

- Mai tentare in alcun modo di smontare il aspiratore per piscina.
- In nessun caso si deve tentare di smontare il aspiratore per piscina e rimontare in autonomia la girante, il motore e la batteria.

ATTENZIONE!

- Un calore eccessivo può danneggiare la batteria e ridurre la sua durata. Consultare il proprio rivenditore per la sostituzione della batteria se si verifica una delle seguenti condizioni:
 - La batteria appare danneggiata o non si ricarica completamente.
 - Il tempo di funzionamento della batteria è notevolmente ridotto. Osservare e registrare i tempi di funzionamento delle prime attività (a ricarica completa). Usare questi tempi come punto di riferimento per compararli con i tempi di funzionamento di batterie più vecchie.
- La batteria deve essere rimossa dall'aspiratore della piscina prima dello smaltimento/rottamazione.
- L'aspiratore della piscina deve essere disconnesso dalla rete di alimentazione prima di rimuovere la batteria.
- La batteria deve essere smaltita con cura ed in sicurezza, in accordo con le legislazioni ed i regolamenti locali vigenti.

NB: Una manutenzione non appropriata può ridurre il ciclo di vita della batteria ed intaccare le sue capacità.

SMALTIMENTO DELLA BATTERIA (Da eseguirsi solo da parte di un tecnico autorizzato)

L'aspiratore della piscina della batteria è una confezione contenente una batteria a LITIO-ION ricaricabile che non richiede manutenzione e che deve essere smaltita in maniera appropriata. Il riciclo è obbligatorio: si prega di contattare l'autorità locale in materia per informazioni in proposito.

ATTENZIONE! Mai tentare di smontare il kit batteria

- Togliere tutti gli oggetti personali come ad esempio anelli, braccialetti, collane ed orologi quando il kit batteria è disconnesso dall'aspiratore della piscina.
- Una batteria può produrre un breve corto circuito sufficientemente forte

da saldare un anello (od un oggetto simile) al metallo, provocando gravi ustioni.

- Indossare una protezione completa per gli occhi, guanti ed un abbigliamento di sicurezza appropriato durante la rimozione del kit batteria.
- Evitare di toccare tutti i cavi contemporaneamente ed evitare di consentire un contatto tra i cavi ed un oggetto di metallo poichè si possono provocare scintille o corto circuiti.
- Mai fumare o avvicinare fonti di scintille o fiamme in prossimità della batteria o dell'aspiratore della piscina.
- Non esporre la batteria al fuoco o ad alte fonti di calore poichè possono provocare un' esplosione.

ATTENZIONE!

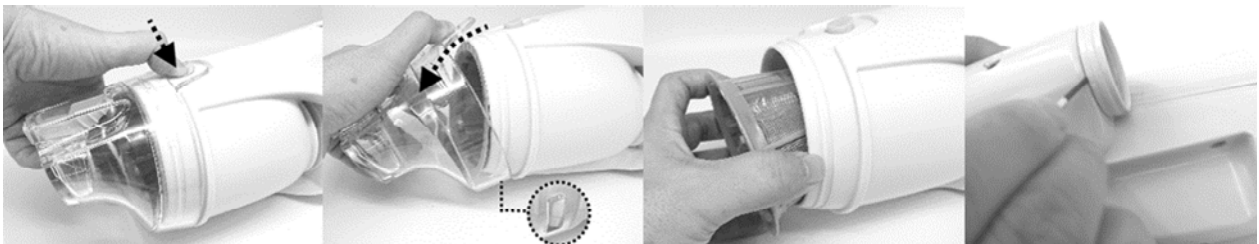
Se una batteria presenta una perdita, evitare il contatto con i liquidi fuoriusciti e posizionare la batteria danneggiata in una borsa di plastica.

- Se i liquidi fuoriusciti vanno in contatto con pelle o vestiti, lavare immediatamente con sapone ed acqua abbondanti.
- Se i liquidi fuoriusciti vanno in contatto con occhi, sciacquare immediatamente gli occhi sotto acqua corrente fresca per almeno 15 minuti e non sfregarli assolutamente. Ricorrere ad un'appropriata assistenza medica il prima possibile.

Come rimuovere il pack batteria solo per lo smaltimento della batteria (Da eseguirsi solo da parte di un tecnico autorizzato)

Strumenti consigliati (non inclusi): un cacciavite Philips e un cacciavite con taglio piccolo

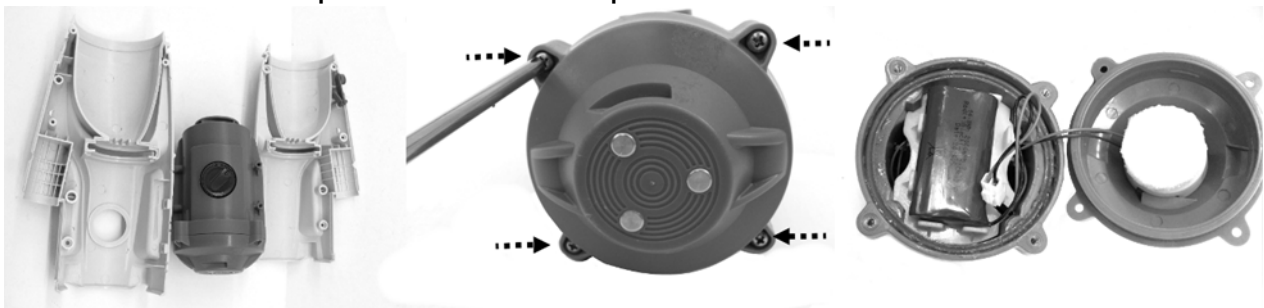
1. Premere il pulsante di blocco e staccare il contenitore trasparente dal corpo. Utilizzare un piccolo cacciavite per staccare l'anello dal corpo. È difficile staccare l'anello con un cacciavite, utilizzare una pinza da taglio per tagliare.



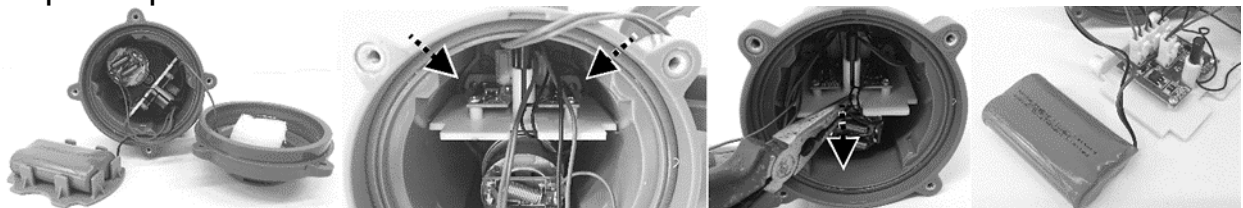
2. Utilizzare un cacciavite Philips per allentare tutte le viti sul corpo.



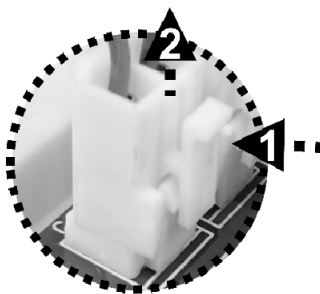
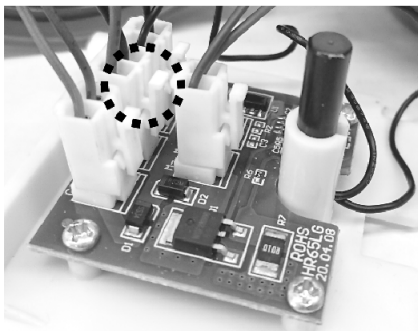
3. Separare il corpo in due metà per accedere all'unità principale. Utilizzare un cacciavite Philips per allentare tutte le viti sulla copertura terminale e rimuovere la copertura terminale per accedere alla batteria.



4. Utilizzare un cacciavite Philips per allentare la vite sull'angolo della piastra di supporto destra. Utilizzare un morsetto per estrarre la piastra per esporre il PCB e i suoi connettori.



5. Individuare il connettore centrale come mostrato: premere sulla clip ed estrarlo. **NOTA:** avvolgere immediatamente il connettore con nastro isolante per evitare cortocircuiti causati dal contatto di entrambi i terminali del filo.



RISOLUZIONE DEI PROBLEMI

Problema	Possibili Cause	Soluzioni
L'aspiratore della piscina non cattura i detriti	La batteria si sta esaurendo	Ricaricare la batteria.
	La girante è bloccata	Spegnere il aspiratore per piscina e controllare visivamente lo spazio al centro dello stesso per vedere se la girante è bloccata da detriti ingombranti. Se possibile, utilizzare una piccola pinza per rimuovere i detriti con attenzione. Se necessario, contattare il concessionario per maggiori istruzioni. ATTENZIONE! Assicurarsi che il aspiratore per piscina sia spento quando l'unità è in manutenzione.
	la girante è rotta	Contattare il concessionario per sostituire la girante.
I detriti fuoriescono dal filtro	Il calza filtrante è pieno	Pulire il calza filtrante.
	Il lembo della bocchetta di aspirazione è rotto	Il lembo della bocchetta di aspirazione funziona come una porta per prevenire la fuoriuscita di detriti dal filtro. Contattare il concessionario per sostituire la parte e per maggiori istruzioni.
	Il calza filtrante è danneggiato	Sostituire con un calza filtrante nuovo.
Connettore per palo telescopico non possono essere fissati durante il montaggio	La valvola di scarico si stacca	Senza la valvola di scarico, l'aspiratore della piscina può catturare detriti attraverso l'apertura. Contattare il concessionario per sostituire la valvola.
	Il pin laterale sul connettore dell'palo è rotto	Sostituire con un nuovo connettore palo.
L'aspirazione della piscina è attivata anche se l'interruttore indica che è spento.	La presenza di oggetti magnetici nelle vicinanze ha inavvertitamente acceso il motore.	Allontanare gli oggetti magnetici o aspirare l'uno dall'altro.
Il aspiratore per piscina non si può caricare/ricaricare	La batteria è danneggiata	Contattare il concessionario per sostituire la batteria. ATTENZIONE! NON APRIRE il aspiratore per piscina e sostituire la batteria da soli. Si rischiano gravi o fatali ferite e la garanzia sarà non verrà riconosciuta.
	Le piastre di ricarica sulla base del caricatore e l'aspiratore per piscina non sono a contatto correttamente	Assicurarsi che la base del caricatore sia completamente montata sull'aspiratore per piscina e che le loro piastre di contatto siano entrate a contatto correttamente
	L'adattatore esterno è danneggiato	Contattare il concessionario per la sostituzione. ATTENZIONE! Utilizzando un adattatore esterno sbagliato si può danneggiare il aspiratore per piscina e la garanzia non verrà riconosciuta.
Il tempo di funzionamento è più breve come previsto	La batteria è non completamente carica	Caricare l'aspirapolvere per piscina per almeno 6 ore. NOTA: se vengono rilevate macchie sulle piastre di contatto di ricarica, rimuoverli utilizzando un batuffolo di cotone imbevuto di succo di limone o aceto.
Programma Ambientale, Direttiva Europea WEEE		
	Rispettare le normative dell'Unione Europea e aiutare a proteggere l'ambiente. Le attrezzature elettriche non rilavorate devono essere smaltite presso un impianto indicato dal Comune di competenza che si occupi di riciclare appropriatamente attrezzature elettriche ed elettroniche. Non gettare via tali attrezzature in cassonetti per rifiuti indifferenziati. Per articoli contenenti batterie removibili, rimuovere le batterie prima di gettare via il prodotto.	
	© 2021 BWT Holding GmbH. 21010025 Tutti i diritti sono riservati. Nessuna parte di questo documento può essere riprodotta o trasmessa in alcuna forma o tramite alcun mezzo, elettronico, meccanico, fotocopia, registrazione o altro, salvo previa autorizzazione della BWT Holding GmbH. (V1)	

Se è richiesta una copia digitale del presente manuale, prego contattare il centro di assistenza via email.

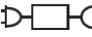
CONSERVARE LE PRESENTI ISTRUZIONI

WAARSCHUWINGEN EN VEILIGHEIDSAANWIJZINGEN

De informatie in deze Handleiding helpt u om het apparaat veilig te bedienen, om uzelf en anderen te beschermen tegen gevaren en om schade aan het apparaat en andere eigendommen te voorkomen.

BEWAAR DEZE HANDLEIDING

WAARSCHUWING!

- Dit is GEEN SPEELGOED. Zorg ervoor dat kinderen uit de buurt blijven van deze bodemzuiger en zijn toebehoren.
- Laat kinderen nooit dit bodemzuiger bedienen.
- Dit apparaat is niet bedoeld voor gebruik door personen met verminderde fysieke, zintuiglijke of mentale capaciteiten, of een gebrek aan ervaring en kennis, tenzij zij onder toezicht staan of instructies hebben gekregen over het gebruik van het apparaat door een persoon die verantwoordelijk is voor hun veiligheid en zij de daarmee gepaard gaande risico's begrijpen.
- Kinderen mogen niet met dit bodemzuiger spelen.
- De reiniging en het onderhoud van de bodemzuiger mogen niet door kinderen worden uitgevoerd.
- Zorg ervoor dat de bodemzuiger volledig in het zwembad is ondergedompeld voordat u het apparaat begint te gebruiken. Het minimale waterniveau dat nodig is om de bodemzuiger te laten werken, moet boven de AAN/UIT-schakelaar van de bodemzuiger komen wanneer het toestel in verticale positie wordt gehouden. Het gebruik van de bodemzuiger wanneer deze niet correct is ondergedompeld, kan het apparaat beschadigen en de garantie ongeldig maken.
- De zuiger is geschikt voor zwembaden tot 3 meter diep.
- Maximale watertemperatuur: 5°C – 35°C.
-  Verwijderbaar voedingsapparaat (externe adapter).
- De bodemzuiger mag alleen worden opgeladen met de externe adapter en laadstation die bij dit product worden geleverd.
- Gebruik voor het opladen van de batterij alleen de afneembare voedingseenheid (modelnummer van de externe adapter: DSS12D-0841000-B / DSS12D-0841000-C / DSS12D-0841000-D / LX084100U) die bij deze bodemzuiger is geleverd om de batterij op te laden.
- Sluit de externe adapter aan op een stroombron via een aardlekschakelaar (RCD) / een verliesstroomschakelaar (GFCI). Raadpleeg een professionele elektricien als u vragen hebt.
- Gebruik de bodemzuiger niet als hij beschadigd is.
- Vervang beschadigde onderdelen door onderdelen die door de distributeur of fabrikant zijn gecertificeerd.
- Schakel de stroom uit, maak de externe adapter los van de stroombron en haal de stekker van de externe adapter uit de laadstation voordat u de bodemzuiger van de laadstation losmaakt.

- Koppel de bodemzuiger los van het stroomnet en zorg ervoor dat de bodemzuiger UIT staat voordat u regelmatig onderhoud uitvoert - zoals het reinigen van het filter en de laadcontactplaten.
 - Probeer in geen geval de geïnstalleerde oplaadbare Li-ion-batterij te vervangen.
 - Pak de bodemzuiger, de externe adapter en de laadstation NIET vast met natte ledematen en zonder schoenen terwijl hij wordt opgeladen.
 - Gebruik de zuiger niet wanneer er zich personen/dieren in het water bevinden.
 - Gebruik deze bodemzuiger NOOIT zonder een filterkegel in perfecte staat, anders vervalt de garantie.
 - Gevaar voor beknelling door zuigkracht: deze bodemzuiger veroorzaakt zuigkracht. Zorg ervoor dat haar, lichaamsdelen of losse kledingstukken niet in contact komen met de zuigmond van de bodemzuiger wanneer deze ingeschakeld is.
 - Steek geen lichaamsdelen, kleding of andere voorwerpen in de openingen en bewegende delen van de zuiger.
 - Gebruik deze bodemzuiger NIET om giftige stoffen, ontvlambare en brandbare vloeistoffen (d.w.z. benzine) op te zuigen in de aanwezigheid van explosieve of ontvlambare dampen.
 - Probeer nooit om de bodemzuiger te demonteren om zelf de rotor, de motor of de batterij te vervangen.
 - Steek nooit je vingers of een ander voorwerp in het toestel om de rotor aan te raken.
 - De ingebouwde batterij moet door een ervaren technicus worden verwijderd voordat deze wordt afgedankt.
 - Deze bodemzuiger bevat een batterij die enkel mag worden verwijderd door vakkundig personeel.
 - De bodemzuiger moet van het stroomnet worden losgekoppeld wanneer de batterij verwijderd wordt.
 - Voor meer informatie over het recyclen/verwijderen van batterijen raadpleegt u het hoofdstuk " DE BATTERIJ WEGWERPEN" in deze handleiding en neemt u contact op met uw lokale autoriteiten voor meer informatie.
 - De batterij moet veilig worden weggegooid in overeenstemming met de plaatselijke verordeningen of voorschriften.
- Externe adapter en laadstation:
- Gebruik de externe adapter en de laadstation nooit voor andere doeleinden dan het opladen van de batterij die samen met de bodemzuiger werd geleverd.
 - Gebruik de externe adapter en laadstation niet buitenshuis en stel ze niet bloot aan regen, vocht, vloeistoffen of hitte.
 - De transformator (of externe adapter) moet buiten zone 1 geplaatst worden
 - Bewaar de externe adapter en de laadstation buiten het bereik van kinderen.

- Gebruik de externe adapter en de laadstation niet als ze beschadigd zijn.
- Raak de externe adapter en de laadstation NIET aan met natte handen.
- Raak de bodemzuiger, de externe adapter en de laadstation NIET aan met natte handen en zonder schoenen terwijl de zuiger aan het opladen is.
- Haal de externe adapter uit het stopcontact wanneer hij niet in gebruik is.
- Probeer nooit om de externe adapter of de laadstation te openen.
- Als de voedingskabel van de externe adapter beschadigd is, moet de externe adapter door de fabrikant of zijn servicemedewerker worden vervangen om gevaren van welke aard dan ook te voorkomen.
- De bodemzuiger en de laadstation moeten volledig droog zijn voor u de zuiger herlaadt.

OPGELET!

- Deze bodemzuiger is enkel geschikt voor gebruik onder water. Het is geen gewone stofzuiger. Gebruik hem NOOIT om iets anders schoon te maken dan uw zwembad/spa.
- Gebruik enkel de originele toebehoren die bij dit toestel worden geleverd.
- Gebruik de bodemzuiger NIET vlak na een chloorshock. Het is aanbevolen om de pomp eerst 24-48 uren te laten draaien.
- Als u een zwembad met zout water gebruikt, zorg er dan voor dat al het zout opgelost is voordat u de bodemzuiger in het water plaatst.
- Het is niet raadzaam deze bodemzuiger tegelijkertijd te gebruiken met een andere automatische reiniger/reiniger.
- Zuig geen harde, scherpe voorwerpen op met dit bodemzuiger. Zij kunnen de zuiger of de filter beschadigen.
- Wees voorzichtig wanneer u de zwembadtrappen schoonmaakt.
- Draag de bodemzuiger niet met het snoer van de externe adapter of laadstation of trek niet aan het snoer om hem van de stroombron en de laadstation los te koppelen om schade aan de externe adapter en de laadstation te vermijden.
- Laad de bodemzuiger binnen op, in een schone, droge, goed verluchte ruimte en een omgevingstemperatuur tussen 5°C en 35°C.
- Laad de bodemzuiger NIET langer dan 10 uur opladen.
- Als u de bodemzuiger gedurende enige tijd niet gaat gebruiken, haalt u hem beter van de laadstation. Maak de zuiger en toebehoren schoon met een vochtige doek. Laad de bodemzuiger tot ongeveer 30% - 50% van de laadcapaciteit op voordat u hem opbergt. Bewaar hem in een goed verluchte ruimte, beschermd tegen zonlicht, hitte, ontstekingsbronnen en zwembadchemicaliën en buiten het bereik van kinderen. Laat de bodemzuiger nooit in het stopcontact zitten wanneer u hem voor langere tijd opbergt. Laad de bodemzuiger om de drie maanden op.

Bovenstaande waarschuwingen en veiligheidsaanwijzingen vormen geen exhaustieve lijst van alle mogelijke risico's en/of verwondingen. Elke zwembad- of spa-eigenaar moet het toestel voorzichtig en met gezond verstand gebruiken.

Opmerking: Foto's/tekeningen van (onderdelen van) het product in deze handleiding dienen alleen ter illustratie. Foto's/tekeningen van (onderdelen van) het product kunnen verschillen van het model dat u hebt aangeschaft. De in deze handleiding getoonde accessoires/onderdelen en het onderdelen overzicht worden niet noodzakelijkerwijs bij elk model meegeleverd.

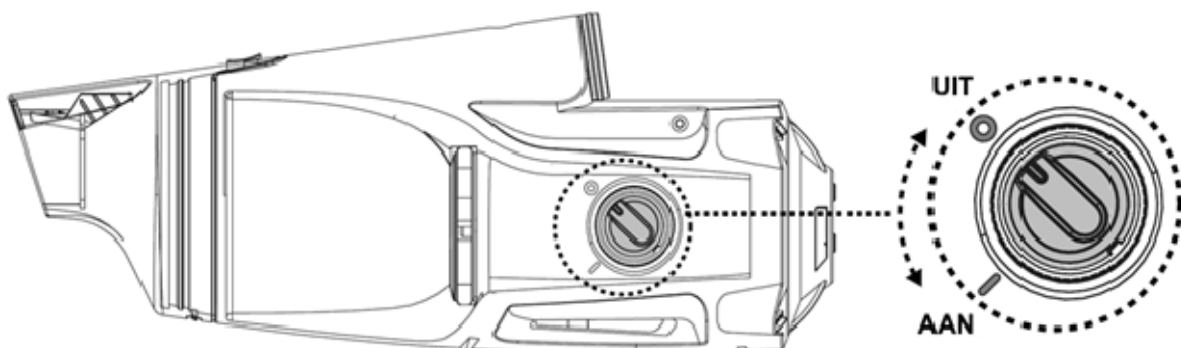
AAN DE SLAG

De batterij laden

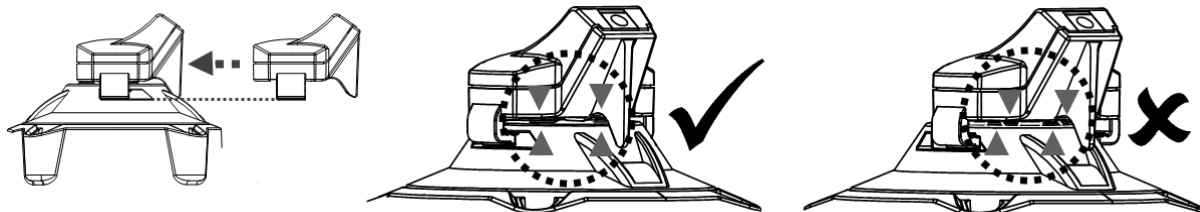
BELANGRIJK: Laad de bodemzuiger volledig op (ongeveer 6 uur) voor u hem voor het eerst gebruikt.

WAARSCHUWING!

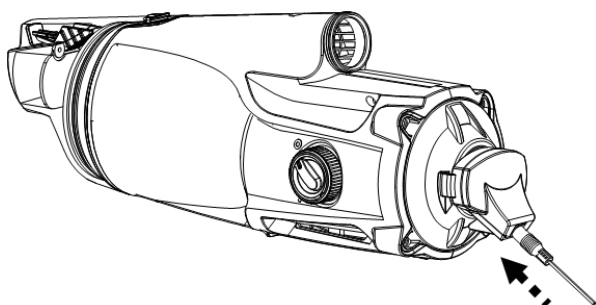
- Gebruik alleen de originele externe adapter en meegeleverde laadstation
 - Zorg ervoor dat de bodemzuiger en de laadcontactplaten schoon en droog zijn voordat u ze installeert en oplaadt. (TIPS: Gebruik een wattenstaafje om de laadcontactplaten te drogen.)
 - Laad het toestel binnenshuis op, in een goed verluchte ruimte, beschermd tegen zonlicht, hitte en ontstekingsbronnen, buiten het bereik van kinderen en bij een omgevingstemperatuur tussen 5°C en 35°C.
 - Gebruik de externe adapter en de laadstation niet als ze beschadigd zijn.
 - De laadcontactplaten zijn waterdicht. Restanten van water op de contactplaten kunnen echter leiden tot het natuurlijk voorkomen van vlekken (een nevenverschijnsel van een chemische reactie tussen water en elektrische stromen). Anders kunnen de vlekken worden verwijderd door licht te schrobben met een wattenstaafje dat is gedrenkt in citroensap of azijn.
 - Zorg ervoor dat de bodemzuiger is uitgeschakeld voordat u gaat laden.
1. Plaats het apparaat op een vlakke ondergrond. Zorg ervoor dat de bodemzuiger is uitgeschakeld door de stroom AAN/UIT-schakelaar in de UIT-stand te zetten voordat u het apparaat oplaadt.



- Lijn de haak van de laadstation uit en schuif deze op de zijdelingse inkeping aan de onderkant van de hoofdbehuizing tot aan de aanslag. Zorg ervoor dat hun contactplaten goed contact maken.



- Steek de stekker van de externe adapter in de laadpoort aan het einde van de laadstation.



- Steek de externe adapter in een stopcontact. Wanneer de bodemzuiger begint te laden, wordt het lampje op de externe adapter rood. Het duurt normaal 4-6 uur voor de zuiger volledig opgeladen is. Het lampje wordt groen wanneer de bodemzuiger bijna volledig geladen is.

OPMERKING: als de motor geluid voortbrengt, moet u ervoor zorgen dat "UIT" is geselecteerd op de stroomschakelaar.

- Koppel de externe adapter onmiddellijk los van de voedingsbron als u een van de volgende omstandigheden opmerkt:
 - Onaangename of ongewone geur
 - Oververhitting
 - Vervorming, barsten, lekken
 - Rook

- Zodra het laden voltooid is, koppelt u de externe adapter los van de voedingsbron en verwijdert u de laadstation uit het toestel en de externe adapter.

Wanneer de bodemzuiger volledig opgeladen is (ongeveer 4-6 uur), kan hij normaal gezien 30 minuten werken.

OPMERKING: Maak de filterkegel regelmatig schoon. Opgehoopt vuil in de filterkegel zal de werking van de motor overbelasten en de werkingstijd bijgevolg verkorten.

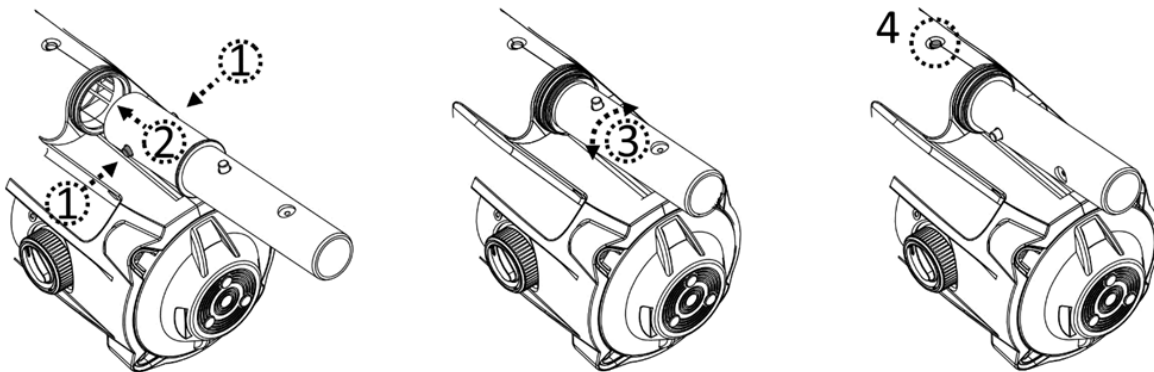
LET OP: de oplaadbare lithium-ionbatterij wordt beschouwd als een verbruiksgoed. Ze heeft een beperkte levensduur en zal na verloop van tijd geleidelijk aan oplaadcapaciteit verliezen. Naarmate de bodemzuiger wordt opgeladen en ontladen, zal zijn werkingstijd geleidelijk aan korter worden.

Wanneer de levensduur van de batterij ten einde is, raadpleeg dan het hoofdstuk "DE BATTERIJ WEGWERPEN" voor instructies voor het wegwerpen van de batterij.

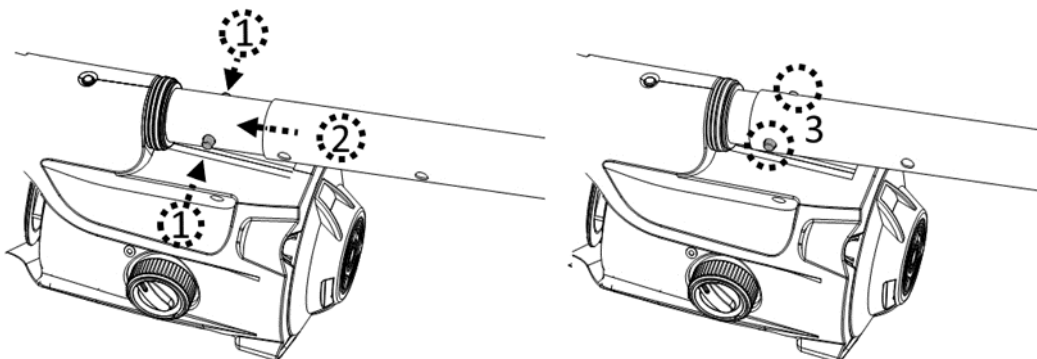
OPMERKING: Laat de bodemzuiger ongeveer 30 tot 40 minuten rusten alvorens hem opnieuw te laden.

Vorbereiding

De uitschuifbare telescopische paal monteren(niet bijgeleverd) (alleen voor USA / EU-landen)
Druk de zijpinnen van het koppelstuk voor telescopische paal in en steek het in de stofzuiger. Draai het koppelstuk willekeurige richting totdat de pin in het gat vastzit, zoals weergegeven in het diagram.



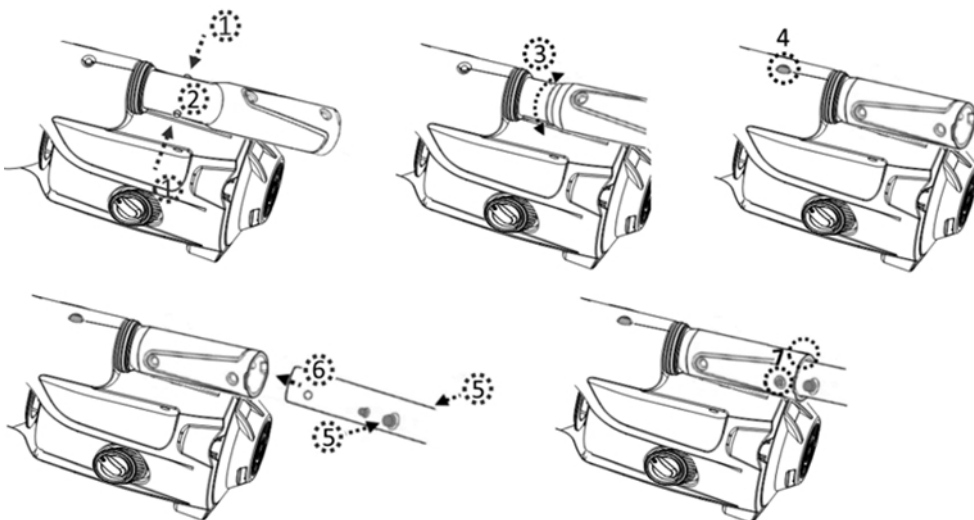
Schuif de telescopische arm op het koppelstuk. Druk op de zijpinnen van het koppelstuk en schuif de telescopische paal verder totdat de pinnen van het koppelstuk vastzitten in de gaten van de telescopische paal.



Druk tegelijkertijd op beide zijpinnen om de telescopische arm opnieuw los te maken. Trek vervolgens de telescopische arm achteruit om deze te verwijderen uit het koppelstuk.

De specifieke uitschuifbare paal monteren (niet bijgeleverd) (alleen voor Australië / Nieuw-Zeeland)

Steek het uiteinde (met twee zijpinnen) van de paalaansluiting in de bodemzuiger, zoals afgebeeld, totdat de zijpinnen zijn vastgezet in het vergrendelgat van de paalaansluiting op het achterste gedeelte van de behuizing. Voor de montage van de telescopische paal (met interne draagarmklem) op de paalaansluiting, zie de volgende afbeelding.



Vorbereiding van het Zwembad

- Verwijder stenen, wortels of metaal corrosie in contact met de onderkant van de liner voordat u de bodemzuiger gebruikt. Laat u indien nodig bijstaan door een gekwalificeerde professional.
- Als de liner broos, beschadigd of gekreukt is, neem dan contact op met een gekwalificeerde professional om de nodige reparatie uit te voeren of om de liner te vervangen voordat u de bodemzuiger gebruikt.
- Als u een zwembad met zout water gebruikt, zorg er dan voor dat al het zout opgelost is voordat u de bodemzuiger in het water plaatst.

WERKING

WAARSCHUWING!

- Zorg ervoor dat de bodemzuiger eerst uitgeschakeld is.
- Gebruik de bodemzuiger niet als hij beschadigd is.
- De smeermiddelen op de O-ring kunnen olievlekken veroorzaken.
- Gebruik de zuiger niet wanneer er zich personen/dieren in het water bevinden.
- Zorg ervoor dat de bodemzuiger volledig in het zwembad is ondergedompeld voordat u deze begint te gebruiken. Het minimale waterniveau dat nodig is om de bodemzuiger te laten werken, moet

boven de AAN/UIT-schakelaar van de bodemzuiger komen wanneer deze in verticale positie wordt gehouden. Het gebruik van de bodemzuiger wanneer deze niet correct is ondergedompeld, kan het apparaat beschadigen en de garantie ongeldig maken.

- Gebruik de bodemzuiger NIET zonder een filterkegel in goede staat. Als u de zuiger gebruikt zonder een filterkegel in goede staat, VERVALT de garantie.
 - Laat de bodemzuiger NIET in het water wanneer u hem niet gebruikt.
- 1) Breng uw bodemzuiger naar de zijkant van uw zwembad/spa. Dompel de bodemzuiger onder in het water en zet de AAN/UIT-schakelaar in de AAN-stand om de werking te starten.

OPGELET! Steek de bodemzuiger altijd met de zuigmond naar beneden in het water. Anders kan het koppelstuk voor de steel plooiën en beschadigd geraken.

- 2) Haal de bodemzuiger altijd met de zuigmond naar beneden uit het water, zodat het water kan weglopen langs de uitlaatklep. Het water zal weglopen langs de handgreep/het koppelstuk en de afvoergaten in de uitsparing voor de handgreep op het achterstuk.

OPGELET! Haal de bodemzuiger altijd met de zuigmond naar beneden uit het water. Anders kan het koppelstuk voor de steel plooiën en de bodemzuiger beschadigen tijdens het gebruik.

- 3) Spoel de bodemzuiger na elk gebruik met schoon water. Gebruik GEEN schoonmaakmiddelen.

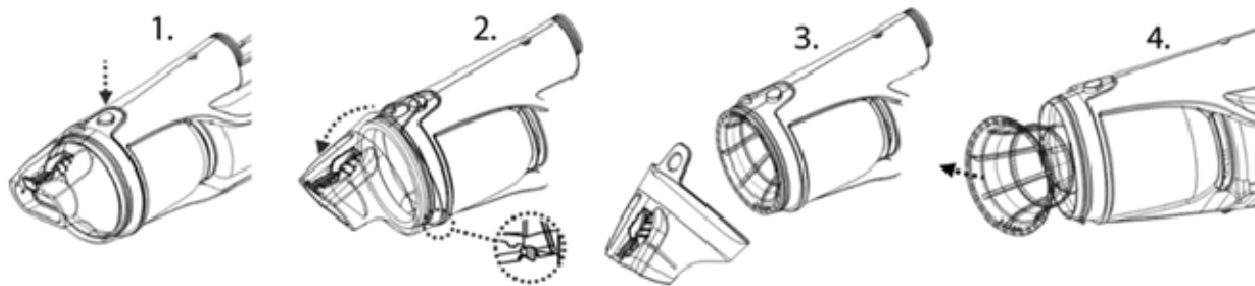
DE FILTER LEEGMAKEN

WAARSCHUWING! Als u de bodemzuiger gebruikt zonder een filterkegel, VERVALT de garantie.

Maak de filterkegel voor en na elk gebruik schoon voor een maximale efficiëntie. **OPGELET!** Als de bodemzuiger aan het laden is, moet u eerst de externe adapter uit het stopcontact halen en de zuiger van de lader halen. Zorg ervoor dat de bodemzuiger eerst uitgeschakeld is.

• De filterkegel leegmaken

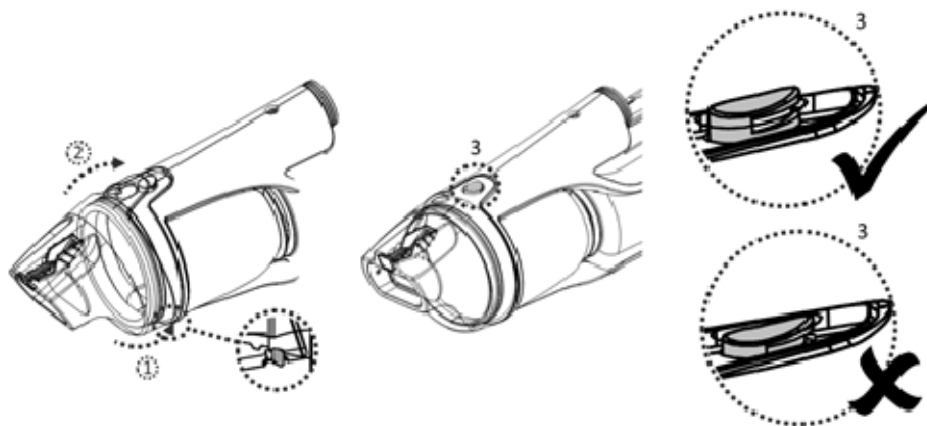
1. Leg de bodemzuiger op een stabiele ondergrond.
2. Druk op de vergrendelknop totdat de transparante koker ontgrendeld wordt. Schuif de transparante koker weg, totdat de uitsparing aan de onderkant van de stofzuiger loskomt van de haak. Verwijder de filterkegel uit de zwembadstofzuiger.



OPGELET! Vervang een beschadigde filterkegel onmiddellijk door een nieuwe filterkegel I, voor u de bodemzuiger weer gebruikt.

3. Verwijder de vuilresten uit de filterkegel en reinig de filterkegel met water. Als dat niet volstaat, kunt u een zachte borstel gebruiken om het vuil voorzichtig te verwijderen.
4. Herplaats de filterkegel in de behuizing. Controleer dat de filterkegel compleet in de behuizing is gemonteerd.

Plaats de uitsparing van de koker gelijk met de haak op het centrale gedeelte van de zwembadstofzuiger en klik de koker opnieuw vast op het centrale gedeelte van de stofzuiger. Kijk na dat de vergrendelingsknop goed in het vergrendelingsgat klikt.



ONDERHOUD EN OPSLAG

NB:

1. Zorg ervoor dat u de laadcontactplaten na elk gebruik reinigt en droogt om de vorming van vlekken te voorkomen (bijverschijnsel van een natuurlijke chemische reactie tussen elektrische stroom en water). Anders kunnen de vlekken worden verwijderd door licht te schrobben met een wattenstaafje dat is gedrenkt in citroensap of azijn.
2. De batterij zal ontladen tijdens de opslag. Laad de bodemzuiger tot ongeveer 30% - 50% van de laadcapaciteit op voordat u hem opbergt.
3. Herlaad de batterij minstens om de drie maanden wanneer hij niet in gebruik is.
 - Haal de externe adapter uit het stopcontact en trek de jack van de adapter uit de laadstation.
 - Verwijder de toebehoren van de bodemzuiger. Spoel de bodemzuiger en de toebehoren indien nodig met schoon water. Gebruik GEEN schoonmaakmiddelen.
 - Laat water leeglopen uit de behuizing, handgreep en telescoopsteel bevestiging.

- Maak de bodemzuiger en zijn toebehoren schoon met een vochtige doek en droog ze af.
- Bewaar ze in een goed verluchte ruimte, beschermd tegen zonlicht, hitte, ontstekingsbronnen en zwembadchemicaliën en buiten het bereik van kinderen. De omgevingstemperatuur moet 10°C – 25°C bedragen. NB: bij een hogere temperatuur is het mogelijk dat de batterij minder lang meegaat.

WAARSCHUWING!

- Probeer op geen enkele manier om de bodemzuiger te demonteren.
- Probeer nooit om de bodemzuiger te demonteren om zelf de rotor, de motor of de batterij te vervangen.

OPGELET!

- Overdreven hitte kan schadelijk zijn voor de batterij en haar levensduur verkorten. Raadpleeg uw handelaar voor het vervangen van de batterij als het volgende gebeurt:
 - De batterij lijkt beschadigd of laadt niet volledig op.
 - De werkingstijd van de batterij is aanzienlijk korter. Noteer hoelang de batterij meegaat de eerste keren dat u het toestel gebruikt (na een volledige oplaadbeurt). Die duur kan dienen als referentie voor de werkingstijd van oudere batterijen.
- Verwijder de batterij uit de bodemzuiger voor u deze wegwerpt.
- Koppel de bodemzuiger los van het elektriciteitsnet wanneer u de batterij verwijdert.
- Voer de batterij veilig af, in overeenstemming met de plaatselijke voorschriften of reglementen.

NB: wanneer de batterij niet correct wordt onderhouden, is het mogelijk dat zij minder lang meegaat en minder goed werkt.

DE BATTERIJ WEGWERPEN (Uit te voeren door een geautoriseerd technicus)

De bodemzuiger is uitgerust met een onderhoudsvrije, oplaadbare lithium-ionaccu, die u correct moet afvoeren. Recycling is verplicht; neem contact op met de plaatselijke overheid voor meer informatie.

WAARSCHUWING! Probeer nooit een accu te demonteren.

- Verwijder alle persoonlijke voorwerpen, zoals ringen, armbanden, halsbanden en horloges, wanneer de accu losgekoppeld is van de bodemzuiger.
- Een batterij kan voldoende kortsluitstroom veroorzaken om een ring of dergelijke te versmelten met het metaal, met ernstige brandwonden als gevolg.
- Draag volledige oogbescherming, handschoenen en beschermende kleding wanneer u de accu verwijdert.
- Raak de kabels niet aan en zorg ervoor dat ze geen metalen voorwerpen raken, want dat kan vonken veroorzaken en/of kortsluiting in de batterij.
- Rook niet en vermijd vonken of vlammen in de nabijheid van de batterij of de bodemzuiger.
- Stel de batterij niet bloot aan vuur of hitte, anders kan hij ontploffen.

OPGELET!

Wanneer er vloeistof uit de batterij lekt, is deze beschadigd. Raak de vloeistof niet aan en steek de beschadigde batterij in een plastic zak.

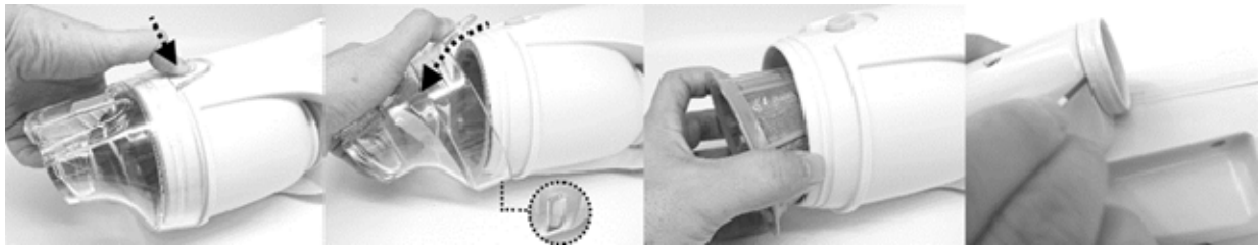
- Als de gelekte vloeistof toch in contact komt met huid of kleding, moet u deze onmiddellijk afwassen met zeep en water.

Als de gelekte vloeistof in contact komt met de ogen: de ogen onmiddellijk spoelen met stromend water gedurende minstens 15 minuten, zonder te wrijven. Raadpleeg indien nodig een arts.

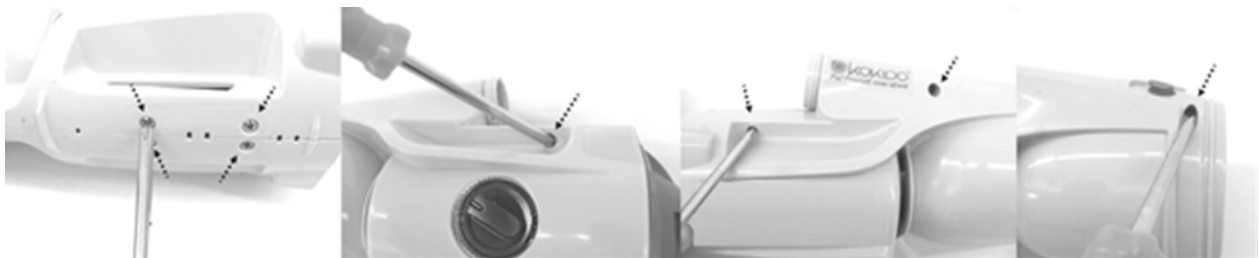
Hoe de accu te verwijderen, enkel voor het weggooien van de batterij (Uit te voeren door een geautoriseerd technicus)

Aanbevolen gereedschap (niet inbegrepen): een kruisschroevendraaier en een kleine platte schroevendraaier.

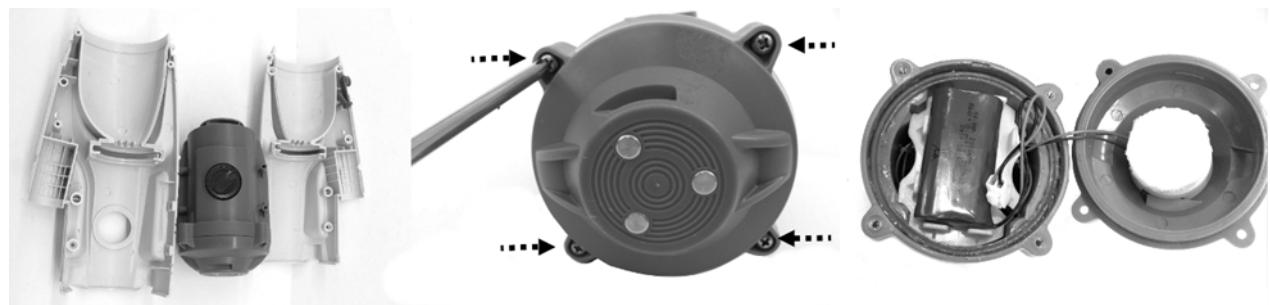
1. Druk op de vergrendelknop en maak de transparante koker los van de behuizing. Gebruik een kleine schroevendraaier om de ring van de behuizing los te maken. Het is moeilijk om de ring los te maken met een schroevendraaier.



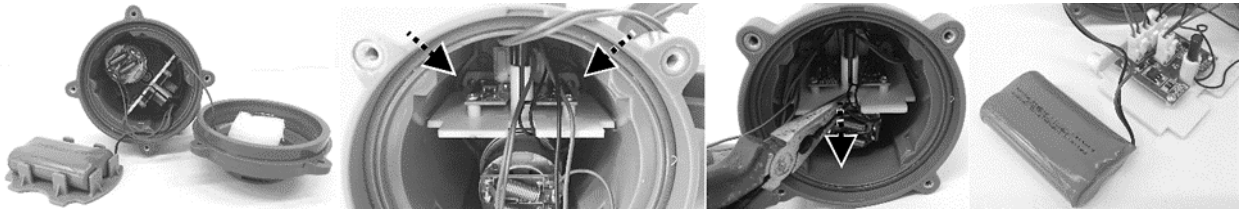
2. Gebruik de Philips-schroevendraaier om alle schroeven van de hoofdbehuizing los te maken.



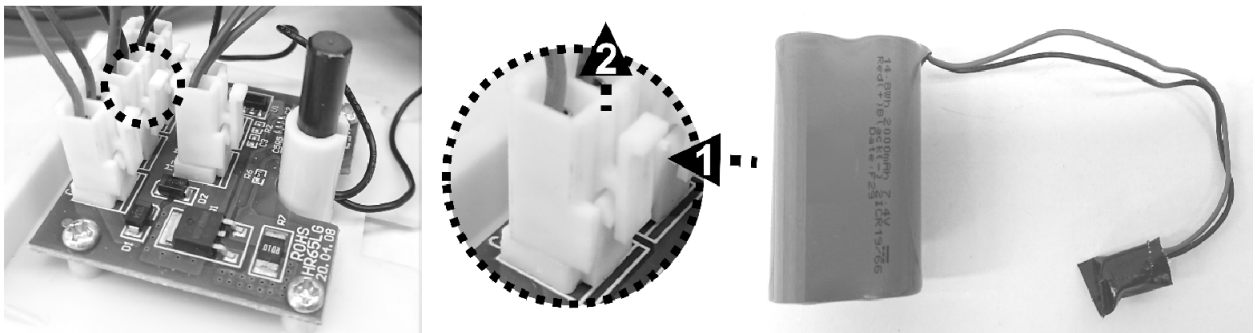
3. Scheid de behuizing in twee helften om toegang te krijgen tot het hoofdapparaat. Gebruik een Philips-schroevendraaier om alle schroeven van het einddeksel los te maken en verwijder het einddeksel om toegang te krijgen tot het batterijpak.





4. Gebruik een Philips-schroevendraaier om de schroef op de hoek van de rechte steunplaat los te maken. Gebruik een klem om de plaat uit te trekken om de printplaat en de draadaansluitingen bloot te leggen.



5. Zoek de middelste connector zoals op de afbeelding - druk op de clip en trek hem eruit. **OPMERKING:** Wikkel de connector onmiddellijk in met isolatietape om kortsluiting door het contact van beide draadklemmen te voorkomen.



Problemen oplossen

Probleem	Mogelijke oorzaken	Oplossing
De bodemzuiger zuigt geen vuil op.	De batterij is bijna leeg.	Laad de batterij op.
	Impeller is jammed	Schakel de bodemzuiger uit en kijk in de opening in het midden van de bodemzuiger of er een groot stuk vuil in de waaier steekt. Is dat het geval, probeer het dan heel voorzichtig te verwijderen met een klein werktuig. Neem indien nodig contact op met uw handelaar voor verdere instructies. LET OP! Controleer of de stofzuiger uitgeschakelt is tijdens reparatie / onderhoud.
	De waaier is defect.	Neem contact op met uw handelaar om de waaier te laten vervangen.
	De filterkegel is vol.	Maak indien nodig de filterkegel schoon.
Er komt vuil uit de filter.	De zuigmondklep is stuk.	De zuigmondklep werkt als een deur die voorkomt dat het vuil uit de filter ontsnapt. Neem contact op met uw handelaar voor reserveonderdelen en instructies.
	Het filterkegel is beschadigd.	Vervang de filterkegel
	De uitlaatklep komt los.	Zonder de uitlaatklep kan de bodemzuiger vuil opzuigen door deze opening. Neem contact op met uw handelaar om de klep te laten vervangen.
Telescopische paalaansluiting kan niet worden bevestigd in de montage.	Zijpin op paalaansluiting is kapot	Vervang deze door een nieuwe paalaansluiting.
De bodemzuiger is ingeschakeld, ook al geeft de schakelaar aan dat het apparaat uit staat.	Aanwezigheid van magnetische objecten in de buurt heeft de motor per ongeluk ingeschakeld.	Verplaats de magnetische objecten of zuig ze van elkaar af.
De bodemzuiger laadt niet op.	De batterij is beschadigd.	Neem contact op met uw handelaar om de batterij te laten vervangen. LET OP! Open de bodemzuiger NIET om de batterij zelf te vervangen. Dat kan ernstige of dodelijke verwondingen veroorzaken en annuleert de garantie.
	Het contact tussen de laadplaten op het laadstation en de bodemzuiger is niet correct	Zorg ervoor dat het laadstation volledig is gemonteerd op de bodemzuiger en dat de contactplaten goed contact maken
	De externe adapter is defect.	Neem contact op met uw handelaar om de adapter te laten vervangen. LET OP! Als u de verkeerde externe adapter gebruikt, kan de bodemzuiger/batterij beschadigd raken en vervalt de garantie.
De werkingstijd is korter dan verwacht	De batterij is niet volledig opgeladen	Laad de bodemzuiger minstens 6 uur op. OPMERKING: als er vlekken worden aangetroffen op de laadcontactplaten, verwijder deze dan met een wattenstaafje dat is gedrenkt in citroensap of azijn
Milieuprogramma's, Europese AEEA-richtlijn		
	Gelieve de regelgeving van de Europese Unie na te leven en zo het milieu te beschermen. Voer afgedankte elektrische apparatuur af naar een speciaal gemeentelijk inzamelpunt dat elektrische en elektronische apparatuur correct recyclet. Werp het niet weg bij ongesorteerd afval. Haal eventuele verwijderbare batterijen uit de afgedankte apparatuur.	
	© 2021 BWT Holding GmbH. 21010025 Alle rechten voorbehouden. Niets van dit document mag worden vermenigvuldigd of doorgegeven in welke vorm of op welke wijze dan ook, zij het elektronisch, mechanisch, op fotokopie, opgenomen of op enige andere wijze, zonder de voorafgaande schriftelijke toestemming van BWT Holding GmbH. (V1)	

Neem contact op met onze klantenservice als u een digitale kopie van deze handleiding wenst.


BEWAAR DEZE HANDLEIDING

VARNINGAR & SÄKERHETSANVISNINGAR

Informationen i denna användarhandbok hjälper dig att använda enheten på ett säkert sätt, skydda dig själv och andra från risker och förhindra skador på enheten och annan egendom.

SPARA DE HÄR ANVISNINGARNA

VARNING!

- Detta är ingen LEKSAK. Barn ska hållas på behörigt avstånd från pooldammsugaren och dess tillbehör.
- Låt aldrig barn sköta den här pooldammsugaren.
- Denna apparat är inte avsedd att användas av personer med nedsatt fysisk, sensorisk eller mental förmåga, eller med bristande erfarenhet och kunskap, om de inte hålls under uppsikt av en person som är ansvarig för deras säkerhet eller har fått instruktioner om hur de ska använda produkten på ett säkert sätt och förstår riskerna med hanteringen.
- Barn får inte leka med produkten.
- Rengöring och underhåll av pooldammsugaren får inte utföras av barn.
- Se till att pooldammsugaren är helt nedsänkt i poolen innan den tas i drift. Vattennivån måste minst nå över pooldammsugarens strömbrytare PÅ/AV när den hålls lodrätt. Om pooldammsugaren används utan att vara nedsänkt på rätt sätt kan den skadas och garantin kan upphävas.
- Maximalt användningsdjup i vatten är 3 meter (9,8 fot).
- Maximal vattentemperatur: 5°C (41°F) – 35°C (95°F)
-  Löstagbar strömförsörjningsenhet (extern adapter).
- Använd endast den externa adaptern och laddningsbas som medföljer produkten för att ladda upp pooldammsugaren.
- Använd endast den löstagbara strömförsörjningsenheten (extern adapter med modellnummer: DSS12D-0841000-B / DSS12D-0841000-C / DSS12D-0841000-D / LX084100U) som tillhandahålls med pooldammsugaren för att ladda batteriet.
- Anslut den externa adaptern till en strömkälla via en jordfelsbrytare (JFB). Kontakta en elektriker om du är osäker.
- Använd inte pooldammsugaren om den är skadad.
- Ersätt skadade delar med reservdelar som godkänts av distributören eller tillverkaren.
- Stäng av dammsugaren, koppla bort den externa adaptern från strömkällan, och dra ur den externa adaptern från laddningsbasen innan du kopplar ur pooldammsugaren från laddningsbasen.
- Koppla ur pooldammsugaren från eluttaget och se till att du stängt av den innan planerat underhåll utförs – såsom rengöring av filtret och laddstiften.
- Försök inte byta ut det installerade, uppladdningsbara litiumjonbatteriet.
- TA INTE I pooldammsugaren, den externa adaptern eller laddningsbasen med blöta händer och utan skor medan den laddas.

- Pooldammsugaren får inte användas när människor eller husdjur befinner sig i vattnet.
- Använd INTE pooldammsugaren utan en oskadad filterbur monterad, annars upphävs garantin.
- Fara för insugning: Pooldammsugaren genererar sugkraft. Låt inte håret, kroppen eller lösa klädesplagg komma i kontakt med sugöppningen när pooldammsugaren är i drift.
- Stoppa aldrig in kroppsdelar, kläder eller andra föremål i pooldammsugarens öppningar eller rörliga delar.
- Använd INTE pooldammsugaren för att samla upp giftiga substanser, lättantändliga eller brännbara vätskor (som bensin) i närheten av explosiva eller lättantändliga gaser.
- Plocka aldrig isär pooldammsugaren på egen hand för att byta ut fläkthjulet, motorn eller batteriet.
- Stoppa aldrig in fingrar eller andra föremål för att röra vid fläkthjulet.
- Det inbyggda batteriet måste tas bort av en kvalificerad tekniker innan det kasseras.
- Den här pooldammsugaren innehåller ett batteri som endast får plockas bort av yrkeskunniga personer.
- Pooldammsugaren måste vara bortkopplad från strömkällan när batteriet tas bort.
- Detaljerade anvisningar angående återvinning/kassering av batteriet finns i avsnittet "KASSERING AV BATTERI" i denna användarhandbok och du kan även kontakta de lokala myndigheterna för mer information.
- Batteriet måste kasseras på ett säkert sätt och i enlighet med lokala förordningar eller föreskrifter.
- Extern adapter och laddningsbas:
 - Använd aldrig den externa adaptern och laddningsbas till något annat än att ladda det batteri som medföljer pooldammsugaren i samma förpackning.
 - Den externa adaptern och laddningsbas får inte användas utomhus eller utsättas för regn, fukt, vätska eller stark värme.
 - Transformatorn (eller den externa adaptern) ska vara placerad utanför zon 1.
 - Se till att den externa adaptern och laddningsbas är utom räckhåll för barn.
 - Använd aldrig den externa adaptern och laddningsbas om de är skadade.
 - TA INTE I den externa adaptern och laddningsbas med blöta händer.
 - TA INTE I pooldammsugaren, den externa adaptern, och laddningsbas med blöta händer och utan skor medan den laddas.
 - Se till att den externa adaptern är urkopplad från strömförsörjningen när den inte används.
 - Försök aldrig öppna den externa adaptern eller laddningsbas.
 - Om den externa adapterns strömsladd är skadad, måste adaptern

bytas ut av tillverkaren eller deras servicerepresentant för att förebygga olycksrisker.

- Försäkra dig om att pooldammsugaren och laddningsbasen är helt torra före laddning.

VAR FÖRSIKTIG!

- Den här pooldammsugaren är endast avsedd för undervattensanvändning; den får inte användas som hushållsdammsugare. Försök INTE använda den för rengöring av något annat än din pool / ditt spa.
- Använd endast de originaltillbehör som medföljer produkten.
- Använd INTE pooldammsugaren direkt efter en chocklorering. Vi rekommenderar att låta poolvattnet cirkulera i minst 24-48 timmar.
- Om du tänker använda pooldammsugaren i en saltvattenpool måste saltet vara helt upplöst innan du sätter ned pooldammsugaren.
- Använd INTE pooldammsugaren samtidigt med någon annan automatisk rengöringsanordning i poolen/spat.
- Undvik att samla upp hårda, vassa föremål från poolen med den här produkten, annars finns risk för skador på pooldammsugaren och filtret.
- Var försiktig när du rengör pooltrappan.
- För att undvika skador på den externa adaptern och laddningsbas ska du inte försöka bära pooldammsugaren i adaptersladden / laddningsbas eller dra i sladden när du lossar den från strömkällan och från laddningsbas.
- Ladda pooldammsugaren inomhus på en ren, torr plats med bra ventilation och en lufttemperatur mellan 5°C (41°F) och 35°C (95°F).
- Lämna INTE en fulladdad pooldammsugare på laddning i mer än 10 timmar.
- Om pooldammsugaren inte ska användas under en längre period ska du koppla bort den från laddningsbasen och torka av den och tillbehören med en fuktig trasa. Se till att pooldammsugaren är laddad till mellan 30% och 50% av batterikapaciteten innan den ställs i förvaring. Förvara den på en plats med bra ventilation skyddad från solljus, värme, antändningskällor, poolkemikalier och barn. Lämna aldrig pooldammsugaren inkopplad under långtidsförvaring. Ladda upp pooldammsugaren var tredje månad.

Ovanstående varningar och försiktighetsåtgärder omfattar inte alla tänkbara risker och/eller allvarliga skador. Pool- / spabadsägare ska alltid använda produkten med extra försiktighet och sunt förnuft t.

Anmärkning: Bilderna och ritningarna av produkter/delar i denna handbok visas endast i illustrativt syfte. Produkterna/delarna på bilderna/ritningarna kan avvika från den modell du har köpt. Tillbehör/delar som visas i denna handbok och i bilddiagrammet över delarna medföljer inte nödvändigtvis alla modeller.

ATT KOMMA IGÅNG

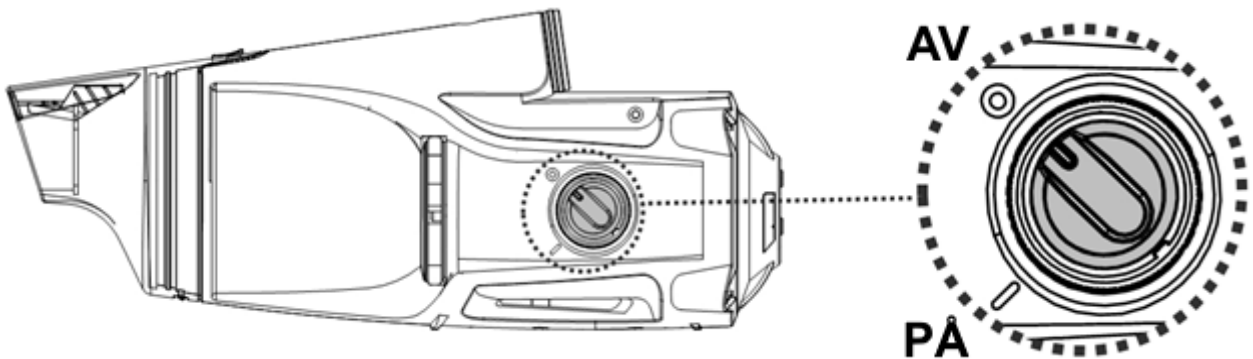
Ladda batteriet

VIKTIG ANMÄRKNING: Se till att pooldammsugaren är fulladdad (omkring 6 timmars laddning) innan den används för första gången.

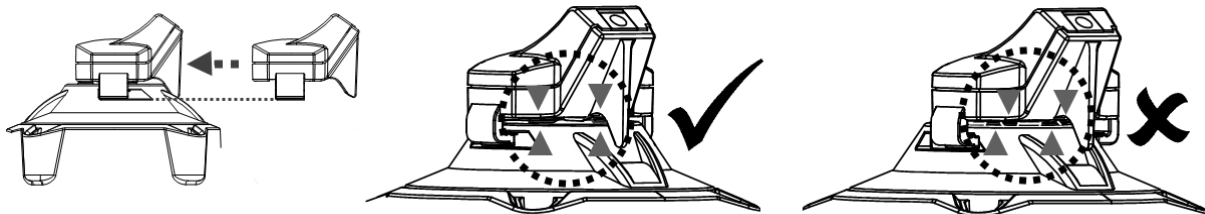
VARNING!

- Använd endast den medföljande externa adaptern och laddningsbas.
- Försäkra dig om att pooldammsugaren och laddporten är rena och torra före konfigurering och laddning. (TIPS: använd en bomullspinne för att torka av laddporten och laddstiften)
- Laddning ska ske inomhus, på en plats med bra ventilation skyddad från solljus, barn, värme, antändningskällor och i en lufttemperatur mellan 5°C (41°F) och 35°C (95°F).
- Använd aldrig den externa adaptern eller laddningsbas om de är skadade.
- Laddstiften är vattentäta. Dock kan kvarvarande vatten i porten och runt stiften leda till fläckar (en naturlig följd av en kemisk reaktion mellan vatten och elström). Fläckarna kan avlägsnas genom att försiktigt gnugga med en bomullspinne fuktad med citronsaft eller vinäger.
- Se till att pooldammsugaren är avstängd innan du laddar den.

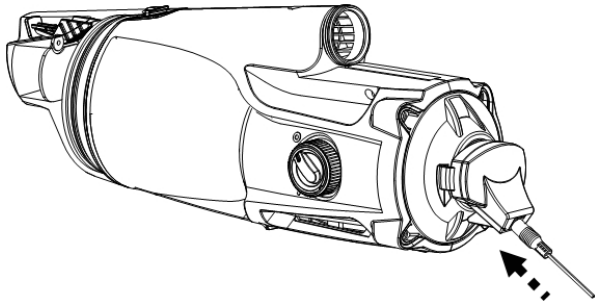
1. Placera apparaten på ett plant underlag. Se till att pooldammsugaren är avstängd genom att vrida strömbrytaren till AV före laddning.



2. Positionera och för in laddningsbasens hake i sidoskåran längst ned på huvudkroppen så långt det går. Se till att deras kontaktplattor kontakter korrekt med varandra.



3. Sätt i den externa adaptorns kontakt i laddporten i änden av laddningsbasen.



4. Anslut den externa adaptern till strömkällan. Indikatorlampan på den externa adaptern lyser rött när laddning pågår. Normalt sett tar det omkring 4-6 timmar tills batteriet är fulladdat. Indikatorlampan kommer lysa grönt när pooldammsugaren är nästan fulladdad.

ANMÄRKNING: om motorn för oljud, stäng av apparaten genom att vrida strömbrytaren till läget Av/Laddning.

- Koppla omedelbart ur den externa adaptern från strömkällan om du upptäcker något av följande:
 - Obehaglig eller ovanlig lukt
 - Stark värme
 - Deformation, sprickor, läckor
 - Rök
- 5. När laddningen är klar ska du koppla ur den externa adaptern från strömkällan och dra ut laddningsbasen ur enheten och den externa adaptern.

Normalt sett kan pooldammsugaren arbeta i upp till 30 minuter när den är fulladdad (laddad under 4-6 timmar)

Anmärkning: Rengör filterburen regelbundet. För mycket skräp inuti filterburen ökar belastningen på motorn och leder till förkortad drifttid.

FAKTAUPPLYSNING: Det uppladdningsbara litiumjonbatteriet är klassat som en förbrukningsvara. Det har en begränsad livslängd och kommer gradvis att förlora sin förmåga att behålla en laddning. Därför kommer pooldammsugarens drifttid gradvis att minska genom upprepade uppladdning och urladdning under produktens livstid.

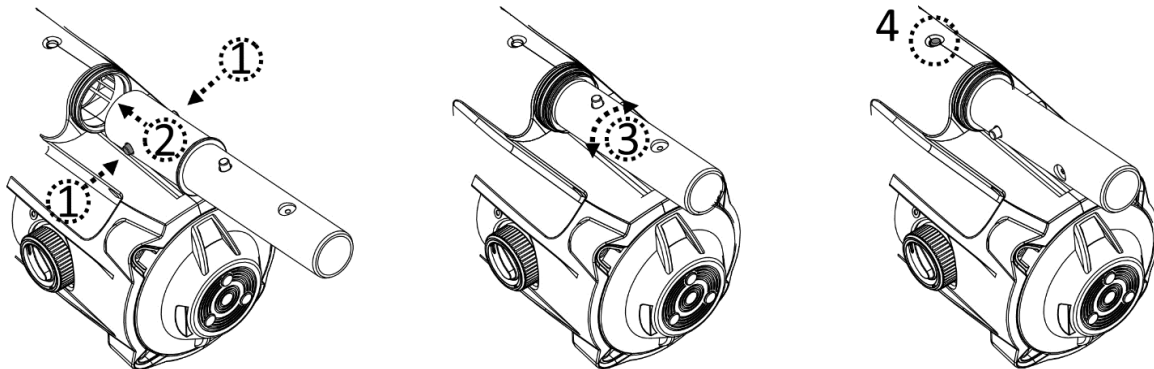
När batteriet når slutet av sin livstid, se avsnittet "KASSERING AV BATTERI" för anvisningar om hur du ska kassera batteriet.

ANMÄRKNING: Låt pooldammsugaren vila i cirka 30 till 40 minuter innan du laddar upp den igen.

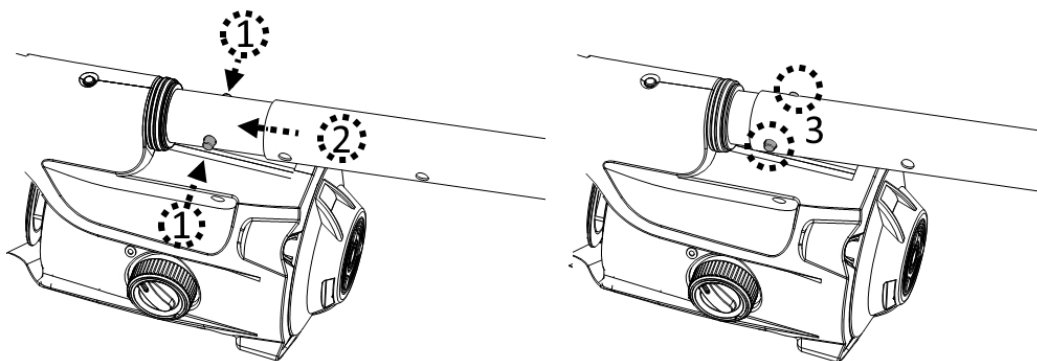
Inställningar före idrifttagning

Montering av teleskopstång (medföljer ej) (endast för EU och USA)

Tryck ned sidostiften på kopplingen och skjut in den i huvudkroppen. Vrid kopplingen åt något håll tills stiftet hakat i hålet som på bilden nedan.



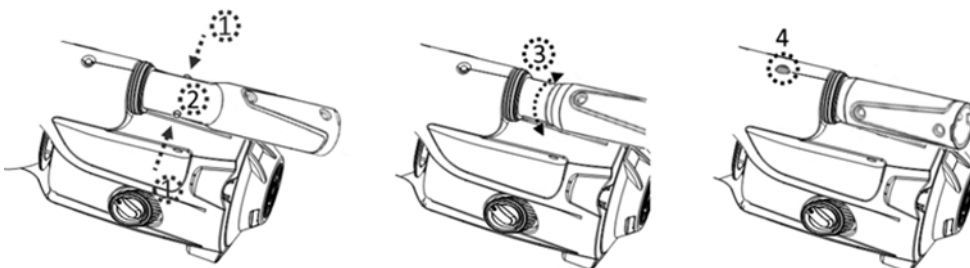
Skjut teleskopstången in över kopplingen. Tryck på kopplingen sidostift och skjut teleskopstången längre fram tills kopplingens stift hakat i stångens hål.

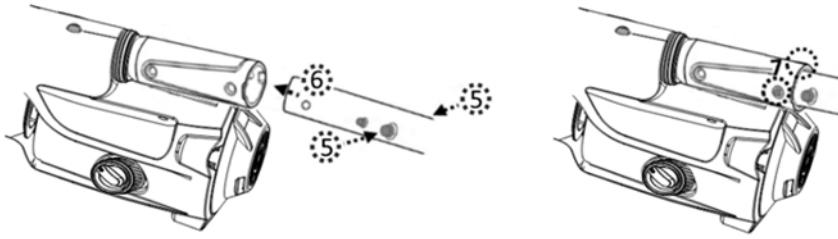


För att ta loss teleskopstången, tryck ned sidostiften samtidigt och dra ut stången.

Montering av specifik teleskopstång (medföljer ej) (Endast för Australien och Nya Zeeland)

För in änden (med två sidostift) av den specifika teleskopstångens koppling i pooldammsugaren såsom visas på bilden, tills dess sidostift fäst i handtagets fästhål på bakstycket. Installera den specifika teleskopstången (med en inre gaffelbensklämma) på kopplingen såsom visas på bilden:





Förberedelse av poolen

- Rensa bort eventuella stenar, rötter eller rost som är i kontakt med undersidan av tätskiktet innan du använder pooldammsugaren. Kontakta en kvalificerad tekniker vid behov.
- Om tätskiktet är skört, skadat eller veckat bör du kontakta en kvalificerad tekniker och be denne utföra nödvändiga reparationer eller byta ut tätskiktet innan pooldammsugaren används.
- Om du har en saltvattenpool måste saltet vara helt upplöst innan du placerar pooldammsugaren i vattnet.

DRIFT

VARNING!

- Försäkra dig om att pooldammsugaren är avstäng.
- Använd inte pooldammsugaren om den är skadad.
- Det kan förekomma oljefläckar som följd av läckage av smörjmedel från O-ringen.
- Pooldammsugaren får inte användas om det finns människor/husdjur i vattnet.
- Se till att pooldammsugaren är helt nedsänkt i poolen innan du sätter igång den. Vattennivån måste minst nå över pooldammsugarens strömbrytare PÅ/AV när den hålls lodrätt. Om du använder pooldammsugaren utan att den är korrekt nedsänkt kan du skada enheten och garantin kan upphävas.
- Använd INTE pooldammsugaren utan en oskadad filterbur monterad. Om du använder din pooldammsugare utan en oskadad filterbur monterad kommer din garanti att UPPHÄVAS.
- Lämna INTE pooldammsugaren i vattnet när den inte är i bruk.
- Kontrollera att laddkabeln är frånkopplad och att laddportens skyddslock är stängt innan pooldammsugaren tas i drift.

- 1) Bär pooldammsugaren till sidan av din pool / ditt spa. Sänk ned pooldammsugaren i vattnet och vrid strömbrytaren till PÅ för att sätta igång den.

VAR FÖRSIKTIG! Se till att pooldammsugaren alltid är vänd nedåt när den placeras i poolen. Annars kan kopplingen till stängen böjas och skadas.

- 2) För att plocka bort pooldammsugaren från din pool / ditt spa ska du lyfta upp den medan du riktar den nedåt för att låta vatten rinna ut från utloppsventilen. Vatten kommer att rinna ut via handtaget, stångens koppling och dräneringshålen inuti handtagshuset på bakstycket.

VAR FÖRSIKTIG! Se till att pooldammsugaren alltid är vänd nedåt när den plockas ur poolen. Annars kan kopplingen till stången böjas och skada pooldammsugaren i processen.

- 3) Skölj pooldammsugaren med färskvatten efter varje användning. Använd INTE något rengöringsmedel.

TÖMNING AV FILTRET

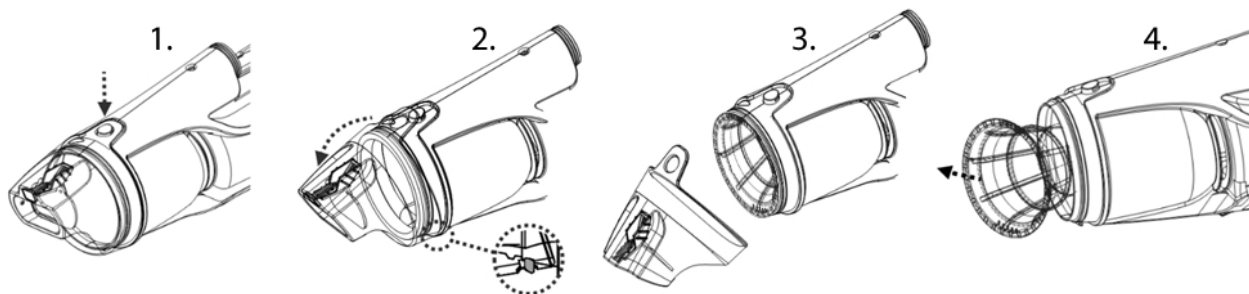
WARNING! Om du använder pooldammsugaren utan en filterbur monterad UPPHÄVS din garanti.

För att maximera apparatens effektivitet, se till att rengöra filterbur före och efter varje användning.

VAR FÖRSIKTIG! Om pooldammsugaren laddas, dra ur den externa adaptern från strömkällan och koppla bort pooldammsugaren från laddningsbasen. Försäkra dig om att pooldammsugaren är avstängd.

• Rengöring av filterbur

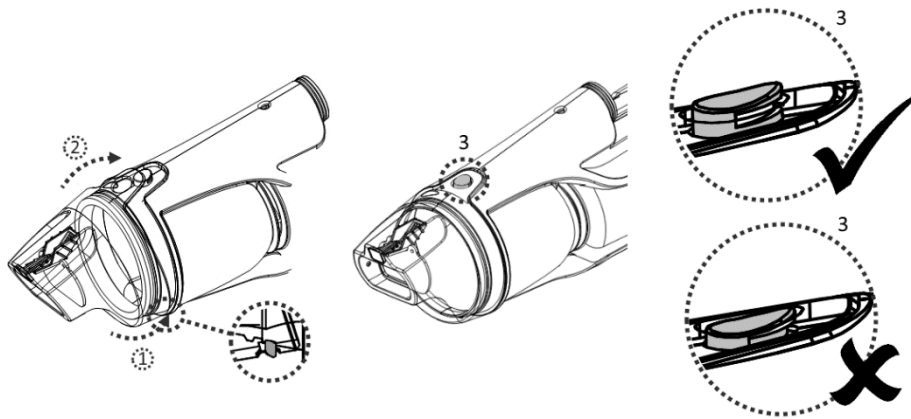
1. Placera pooldammsugaren på ett stadigt underlag.
2. Tryck ned låsknappen tills fästhållet på den genomskinliga behållaren släpper. Skjut behållaren bortåt tills skåran på undersidan av behållarens öppning lossnar från haken på undersidan av huvudkroppen. Plocka bort filterburen från huvudkroppen.



VAR FÖRSIKTIG! Byt ut en skadad filterbur direkt, före nästa användning.

3. Rensa bort skräpet och skölj av filterburen med vatten. Om du anser det nödvändigt att borsta av den, använd bara en mjuk borste för att rengöra filterburen varsamt och försiktigt.
4. Sätt tillbaka filterburen inuti huvudkroppen. Försäkra dig om att filterburen skjutits in hela vägen in i huvudkroppen.

För att sätta tillbaka behållaren ska du först positionera behållarens skåra i höjd med huvudkroppens hake och sedan trycka fast behållaren på huvudkroppen. Se till att fästhållet på den genomskinliga behållaren säkras med låsknappen.



UNDERHÅLL OCH FÖRVAR

ANMÄRKNING:

1. Se till att rengöra och torka områdena runt laddporten och laddstiften efter varje användningstillfälle för att undvika fläckbildning (en naturlig följd av en kemisk reaktion mellan elström och vatten). Fläckarna kan även avlägsnas genom att försiktigt gnugga med en bomullspinne fuktad med citronsaft och vinäger.
2. Batteriet laddas ur automatiskt under förvaring. Se till att ladda pooldammsugaren till omkring 30% till 50% av batterikapaciteten innan den placeras i förvaring.
3. Du måste ladda upp batteriet minst en gång var tredje månad när dammsugaren inte används.
 - Dra ut den externa adaptorn ur uttaget och sedan adapterkontakten från laddningsbasen.
 - Ta bort alla tillbehör från pooldammsugaren. Vid behov kan du skölja pooldammsugaren och tillbehören med färskvatten. Använd INTE rengöringsmedel.
 - Var noggrann med att tömma enheten, handtaget och kopplingen till stängen på vatten.
 - Använd en fuktig trasa för att rengöra och torka pooldammsugaren och dess tillbehör.
 - Förvara dem i ett välventilerat utrymme skyddat från solljus, barn, värme, antändningskällor och poolkemikalier. Lufttemperaturen vid förvaring bör vara 10°C – 25°C (50°F – 77°F). ANMÄRKNING: Högre förvaringstemperatur kan reducera batteriets livslängd.

WARNING!

- Försök aldrig plocka isär pooldammsugaren.
- Du får aldrig försöka plocka isär pooldammsugaren på egen hand för att byta ut fläkthjulet, motorn eller batteriet.

VAR FÖRSIKTIG!

- Stark värme kan skada batteriet och reducera robotens livslängd.
- Rådfråga din återförsäljare angående batteribyte om följande inträffar:
 - Batteriet blir inte fulladdat.
 - Batteriets drifttid är märkbart reducerad. Kontrollera och anteckna drifttiden under de första användningstillfällena (med ett fulladdat batteri).

Använd denna information som utgångspunkt för att jämföra drifttiden i framtiden.

- Batteriet måste tas bort från roboten innan det kasseras.
- Roboten måste vara bortkopplad från strömkällan när batteriet tas bort.

- Batteriet måste kasseras på ett säkert sätt och i enlighet med lokala förordningar och föreskrifter.

ANMÄRKNING: Felaktigt underhåll kan reducera batteriets livslängd och påverka dess kapacitet.

KASSERING AV BATTERI (Ska utföras av en kvalificerad tekniker)

Din robot är utrustad med ett underhållsfritt uppladdningsbart litiumjonbatteri som måste kasseras på rätt sätt. Återvinning är obligatorisk. Kontakta de lokala myndigheterna för mer information

VARNING! Försök aldrig plocka isär batteripaketet.

- Ta av alla accessoarer såsom ringar, armband, halsband och klockor när batteripaketet tas bort från roboten.
- Ett batteri kan orsaka en kortslutningsström som är så stark att en ring (eller liknande föremål) kan svetsas fast i metall och orsaka svår brännskada.
- Använd heltäckande ögonskydd, handskar och skyddskläder när batteripaketet avlägsnas.
- Undvik att vidröra kablarna och låt dem inte komma i kontakt med metallföremål då det kan orsaka gnistbildning och/eller kortsluta batteriet.
- Rök aldrig och undvik gnistor eller lågor i närheten av batteriet eller roboten.
- Utsätt inte batteriet för eld eller stark hetta eftersom det kan medföra explosionsrisk.

VAR FÖRSIKTIG!

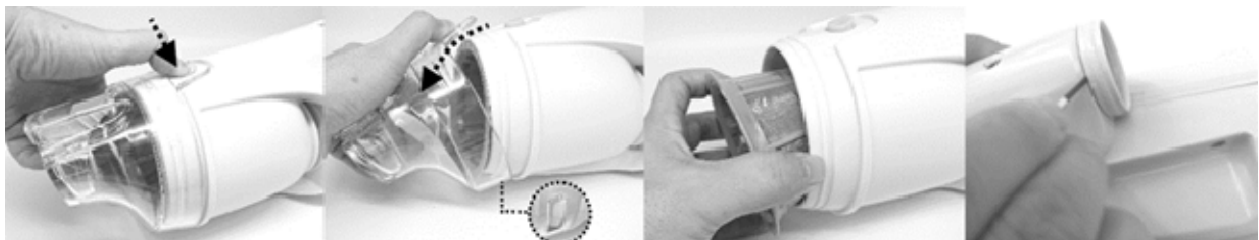
Om ett batteriläckage inträffar ska du undvika att komma i kontakt med batterivätskan och placera det skadade batteriet i en plastpåse.

- Om läckande vätskor kommer i kontakt med hud och kläder ska du omedelbart tvätta dig med riklig mängd tvål och vatten.
- Om läckande vätskor kommer i kontakt med ögonen ska du inte gnugga dig i ögonen utan omedelbart skölja dem med svalt rinnande vatten i minst 15 minuter utan att gnugga ögonen. Sök läkarvård så snart som möjligt.

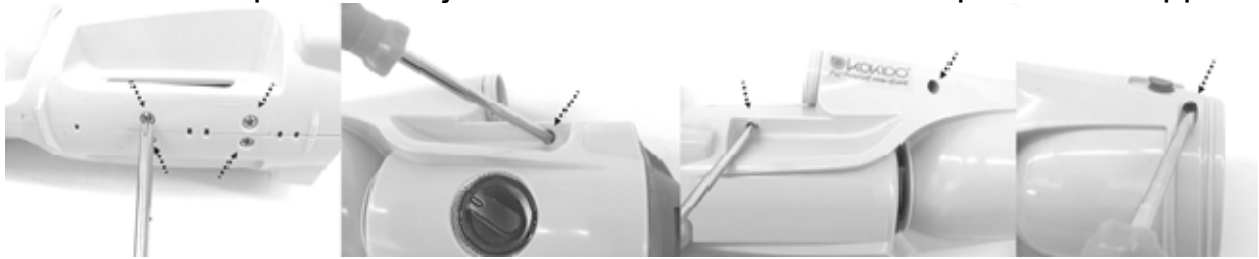
Borttagning av batteripaketet för kassering av batteriet (Ska utföras av behörig tekniker)

Rekommenderade verktyg (medföljer ej): Philips skruvmejsel och liten skruvmejsel

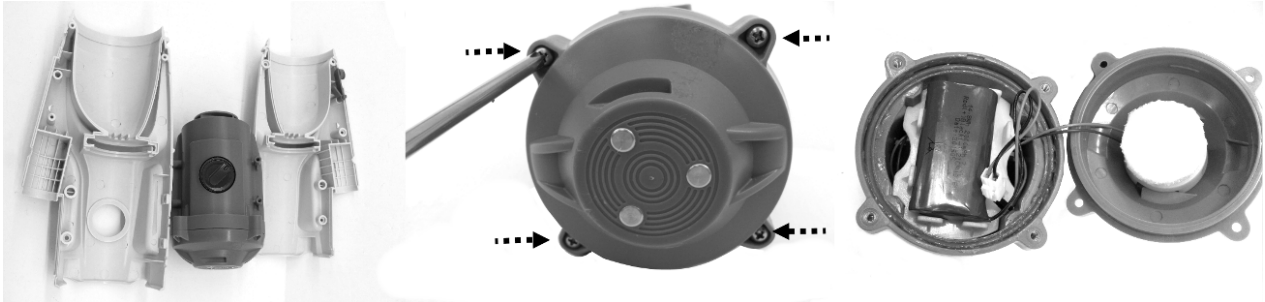
1. Håll ned låsknappen och ta loss den genomskinliga behållaren från kroppen. Använd en liten skruvmejsel för att ta loss ringen från kroppen. Det är svårt att få loss ringen med skruvmejsel, använd en skärande tång för att skära loss den.



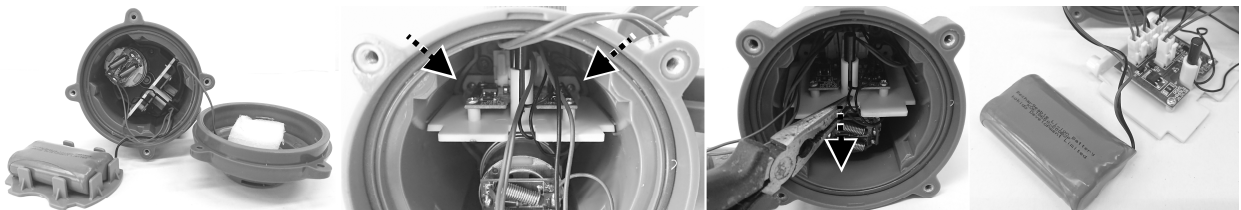
2. Använd Philips skruvmejsel för att lossa alla skruvarna på huvudkroppen.



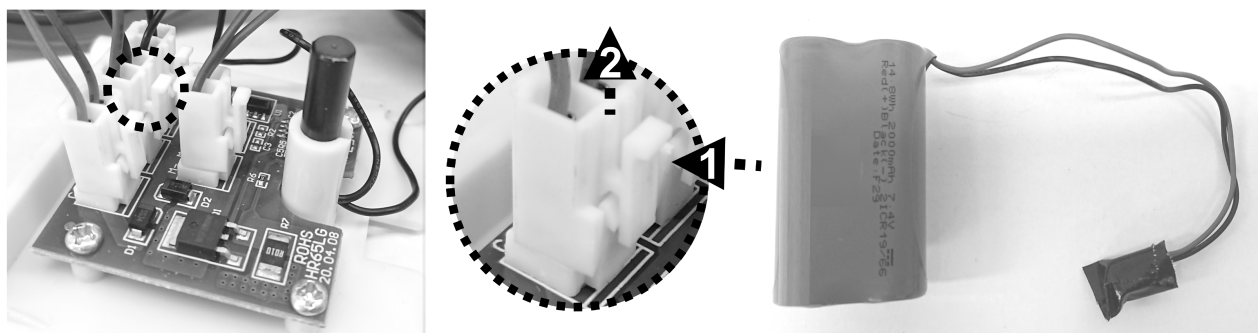
3. Separera kroppen i två halvor för att komma åt huvudenheten. Använd en Philips skruvmejsel för att plocka bort ändkåpan och komma åt batteripaketet.



4. Använd Philips skruvmejsel för att lossa skruvarna i hörnen av stödplattan som pilarna visar på bilden. Använd en tång för att få tag i plattan och dra ut den för att frigöra trådanslutningarna på kretskortet.



5. Lokalisera den mellersta kontakten som på bilden, ta tag i den med tång och dra ut den. ANMÄRKNING: Linda omedelbart kontakten i isoleringstejp för att undvika kortslutning orsakad av att de två anslutningsterminalerna kommer i kontakt med varandra.



FELSÖKNING

Problem	Möjlig orsak	Lösning
Pooldammsugaren samlar inte upp skräpet	Låg batterinivå	Ladda batteriet igen.
	Fläkthjulet har fastnat	Stäng av pooldammsugaren och inspektera klyftan i mitten av apparaten för att se om fläkthjulet har fastnat p.g.a. större skräp. Använd om möjligt ett litet verktyg för att försiktigt plocka bort skräpet. Kontakta din återförsäljare för ytterligare instruktioner vid behov. VARNING! Se till att pooldammsugaren är avstängd när underhåll utförs.
	Fläkthjulet har gått sönder	Kontakta din återförsäljare för att byta ut det.
Skräp läcker från filtret	Filterburen är full	Rensa filterburen.
	Luckan till sugmunstycket är trasig	Sugmunstyckets lucka fungerar som en dörr som hindrar skräp från att ramla ur filtret. Kontakta din återförsäljare för reservdel och instruktioner.
	Filterburen är skadad.	Ersätt med en ny filterbur.
Du kan inte fästa kopplingen till teleskopstången när du monterar den	Utloppsventilen lossnar.	Utan utloppsventilen kan pooldammsugaren ta upp skräp genom denna öppning. Kontakta din återförsäljare för att få en ny ventil.
	Sidostiftet på kopplingen är trasigt	Ersätt med en ny koppling till teleskopstången.
Pooldammsugaren startar trots att strömbrytaren står på AV.	Förekomst av magnetiska föremål i närheten har oavsiktligt fått motorn att byta läge.	Flytta de magnetiska föremålen eller pooldammsugaren bort från varandra.
Pooldammsugaren kan inte laddas / återuppladdas	Batteriet är skadat	Kontakta din återförsäljare för att byta ut batteriet. VARNING! Öppna INTE pooldammsugaren för att byta ut batteriet på egen hand. Det kan leda till allvarlig skada eller dödsfall och medför att garantin upphävs.
	Laddningsplattorna på laddningsbas och pooldammsugaren kommer inte i kontakt med varandra	Kontrollera att laddningsbasen fäster ordentligt i pooldammsugaren och att deras kontaktplattor kommer i kontakt med varandra på ett korrekt sätt
	Den externa adaptern är trasig.	Kontakta din återförsäljare för att byta ut den. VARNING! Att använda fel sorts extern adapter leder till skador på pooldammsugaren / batteriet och till att garantin upphävs.
Drifttiden är kortare än förväntat	Batteriet är inte fulladdat	Ladda pooldammsugaren under minst 6 timmar. ANMÄRKNING: om du finner fläckar på kontaktplattorna, avlägsna dem med hjälp av en bomullspinne fuktad med citronsaft eller vinäger

Miljöprogram, EU-direktiv (WEEE)



Vänligen respektera EU:s förordningar och hjälp till att skydda miljön. Lämna in trasig elektrisk utrustning till en kommunal anläggning avsedd för återvinning av elektrisk och elektronisk utrustning. Släng inte utrustningen bland osorterat avfall. För apparater som innehåller löstagbara batterier ska batterierna tas bort innan produkten kasseras.



© 2021 BWT Holding GmbH. 21010025
Alla rättigheter förbehållna. Ingen del av detta dokument får reproduceras eller överföras i någon form eller på något sätt, varken elektroniskt, mekaniskt, via fotokopiering, inspelning eller på annat sätt, utan föregående skriftligt tillstånd från BWT Holding GmbH. (V1)

Om du behöver en elektronisk kopia av denna användarhandbok, vänligen kontakta vår kundtjänst på e-postadressen.


SPARA DE HÄR INSTRUKTIONERNA

TURVALLISUUSVAROITUKSET JA -OHJEET

Tämän käyttöohjeen sisältämät tiedot auttavat sinua käyttämään laitetta turvallisesti, suojaamaan itseäsi ja muita vaaroilta ja estämään laitteen ja muun omaisuuden vahingoittumisen..

TALLENNA NÄMÄ OHJEET

VAROITUS!

- Tämä laite ei ole LEIKKIKALU. Tämä allasimuri ja sen lisävarusteet on pidettävä poissa lasten ulottuvilta.
- Älä koskaan anna lasten käyttää tätä allasimuria.
- Tätä laitetta ei saa käyttää henkilö, jonka fyysiset tai henkiset kyvyt ovat heikentyneet, tai jolla ei ole sen käytöstä kokemusta tai tietoa, ellei hänen turvallisuudestaan vastuullinen henkilö valvo ja ohjeista laitteen turvallisesta käytöstä niin, että hän ymmärtää laitteen käytön vaarat.
- Lapset eivät saa leikkiä tällä laitteella.
- Lapset eivät saa suorittaa allasimurin puhdistusta ja huoltoa.
- Varmista, että allasimuri on upotettu kokonaan altaaseen ennen käytön aloittamista. Allasimurin käyttämiseen vaadittavan vähimmäisvedenpinnan on oltava allasimurin virtakytkimen yläpuolella, kun sitä pidetään pystysuorassa asennossa. Kun allasimuria ei ole upotettu oikein, sen käyttö voi vahingoittaa laitetta ja mitätöidä takuun.
- Suurin käyttösyvyys vedessä on kolme metriä (9,8 jalkaa).
- Veden lämpötila käytettäessä: 5 °C (41 °F)–35 °C (95 °F)
-  Irrotettava virtalähde (ulkoinen laturi).
- Allasimuri on ladattava vain laitteen mukana toimitetulla ulkoisella laturilla ja latausalustalla.
- Käytä akun lataamiseen vain irrotettavaa verkkolaitetta (ulkoisen laturin mallinumero: DSS12D-0841000-B / DSS12D-0841000-C / DSS12D-0841000-D/ LX084100U) joka toimitetaan tämän imurin kanssa akun lataamiseksi.
- Liitä ulkoinen laturi virtaverkkoon RCD-suojakytkimen / vikavirtasuojakatkaisimen (GFCI) kautta. Jos olet liitännöistä epävarma, ota yhteys pätevään sähköasentajaan.
- Älä käytä tätä imuria, jos havaitset siinä vaurioita.
- Vaihda vaurioituneet osat jälleenmyyjän tai valmistajan hyväksymiin osiin.
- Sammuta allasimuri, irrota ulkoinen laturi virtalähteestä ja irrota ulkoinen laturi latausalustasta, ennen kuin irrotat imurin latausalustasta.
- Irrota allasimuri verkkovirrasta ja varmista, että se ei ole päällä ennen kuin suoritat säännöllisiä huoltotoimenpiteitä, kuten suodattimen tai latausliittimen puhdistamista.
- Älä yritä vaihtaa sisään asennettua ladattavaa litiumioniakkua.
- Kun allasimuri latautuu, ÄLÄ käsittele sitä, ulkoista sovitinta, tai latausalustaa märin jaloin ja ilman kenkiä.
- Älä käytä tätä allasimuria, kun henkilöitä ja/tai lemmikkieläimiä on altaassa.

- ÄLÄ käytä tätä allasimuria ilman ehjää suodatinkehikkoa, muuten takuu ei ole voimassa.
- Imeytymisvaara: Tämä allasimuri synnyttää imua. Älä anna hiusten, ruumiinosien tai vaatteidesi löysien kohtien koskettaa allasimurin imuaukkoa sen käytön aikana.
- Älä koskaan työnnä ruumiinosia, vaatteita tai muita esineitä allasimurin aukkoihin tai sen liikkuviin osiin.
- ÄLÄ käytä tätä robottia imemään myrkyllisiä aineita tai syttyviä ja palavia nesteitä (esim. bensiiniä), tai räjähtävien tai syttyvien höyryjen läsnä ollessa.
- Älä missään tapauksessa yritä itse purkaa allasimuria vaihtaaksesi juoksupyörän, moottorin tai akun.
- Älä koskaan työnnä sormia tai mitään esinettä juoksupyörään.
- Ammattitaitoisen teknikon on poistettava sisään asennettu akku ennen sen hävittämistä.
- Tässä allasimurissa on akku, jonka vain ammattitaitoiset henkilöt saavat irrottaa.
- Imuri on irrotettava verkkovirrasta, kun akku poistetaan.
- Katso lisätietoja akun kierrätyksestä/hävittämisestä tämän oppaan kohdasta "AKUN HÄVITTÄMINEN" ja ota yhteyttä paikallisiin viranomaisiin saadaksesi lisätietoja.
- Akku on hävitettävä turvallisesti paikallisten jätteenkäsittelyä ja kierrätystä koskevien lakien ja säännösten mukaisesti.
- Ulkoinen laturi ja latausalusta:
 - Älä koskaan käytä ulkoista laturia ja latausalustaa muuhun kuin samassa toimituksessa hankitun allasimurin akun lataamiseen.
 - Ulkoista laturia ja latausalustaa ei saa käyttää ulkona, eikä niitä saa altistaa sateelle, kosteudelle, nesteille tai kuumuudelle.
 - Muuntaja (ulkoinen laturi) on laitettava vyöhykkeen 1 ulkopuolelle
 - Pidä ulkoinen laturi ja latausasema poissa lasten ulottuvilta.
 - Älä koskaan käytä ulkoista laturia ja latausalustaa, jos havaitset vaurioita.
 - ÄLÄ käsittele ulkoista laturia ja latausalustaa märin käsin.
 - ÄLÄ käsittele allasimuria, ulkoista laturia ja latausalustaa latauksen aikana märin käsin ja ilman kenkiä.
 - Pidä ulkoinen laturi irrotettuna virtalähteestä, kun sitä ei käytetä.
 - Älä koskaan yritä avata ulkoista laturia tai latausalustaa.
 - Jos ulkoisen laturin virtajohto on vaurioitunut, valmistajan tai sen huoltoliikkeen on vaihdettava ulkoinen laturi vahinkojen välttämiseksi.
 - Varmista, että allasimuri ja latausalusta ovat täysin kuivat ennen lataamista.

HUOM!

- Tämä allasimuri on tarkoitettu vain vedenalaiseen käyttöön; se ei ole yleisimuri. ÄLÄ yritä käyttää sitä minkään muun kuin uima-altaan/porealtaan puhdistamiseen.
- Käytä vain tämän laitteen mukana toimitettuja alkuperäisiä lisävarusteita.
- ÄLÄ käytä tätä allasimuria heti uima-altaan shokkikloorauksen jälkeen. On suositeltavaa jättää uima-altaan vesi kiertämään vähintään 24–48 tunniksi.
- Jos aiot käyttää allasimuria suolaisen veden altaassa varmista, että kaikki suola on liuennut ennen sen käyttöönottoa.
- ÄLÄ käytä tätä allasimuria toisen automaattisen imurin/imurin kanssa samanaikaisesti altaassa/porealtaassa.
- Vältä keräämästä kovia tai teräviä esineitä tällä laitteella. Ne voivat vahingoittaa allasimuria ja suodatinta.
- Ole varovainen puhdistaussasi uima-altaan portaita.
- Vältäaksesi ulkoisen laturin ja latausalustan vaurioitumisen, älä yritä kantaa allasimuria ulkoisen laturin/ latausalustan kaapelista tai vetää johdosta irrottaaksesi sen virtalähteestä ja latausalustasta.
- Lataa allasimuri sisätiloissa hyvin tuuletetussa puhtaassa ja kuivassa paikassa, jonka lämpötila on välillä 5 °C (41 °F) - 35 °C (95 °F).
- ÄLÄ jätä allasimuria lataukseen yli 10 tunniksi.
- Jos allasimuria ei käytetä pitkään aikaan, irrota se latausalustasta, sekä puhdista ja kuivaa imuri ja sen varusteet kostealla liinalla. Muista ladata allasimuri noin 30-50 prosenttiin akun kapasiteetista ennen sen varastointia. Säilytä hyvin tuuletetussa paikassa suojassa auringonvalolta, lämmönlähteiltä, sytytyslähteiltä, sekä uima-allaskemikaaleilta ja lasten ulottumattomissa. Älä koskaan jätä allasimuria kytkettynä verkkovirtaan, kun se on varastoitu pitemmäksi aikaa. Lataa allasimuri vähintään kolmen kuukauden välein.

Yllä olevia varoituksia ei ole tarkoitettu sisältämään kaikkia mahdollisia riskejä ja/tai vakavien vammojen aiheuttajia Altaiden omistajien tulee aina olla erityisen varovaisia ja käyttää tervettä järkeä laitetta käyttäessään.

Huomautus: Tämän käyttöohjeen tuote-/osavalkuvat/piirrookset ovat vain esittelyä varten. Valokuvissa/piirroksissa olevat tuotteet/osat voivat vaihdella ostetun mallin mukaan. Tässä käyttöohjeessa ja osakaaviossa esitetyt lisävarusteet/osat eivät välttämättä sisälly kaikkiin malleihin.

KÄYTÖN ALOITTAMINEN

Akun lataaminen

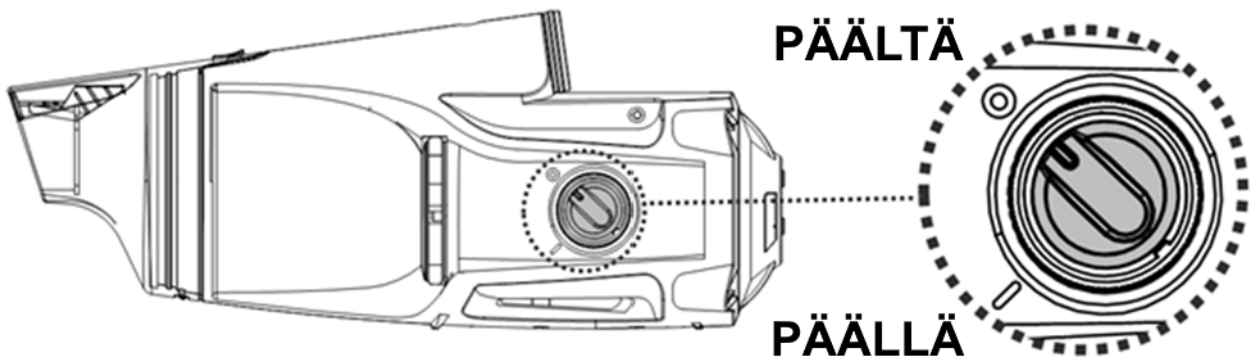
TÄRKEÄÄ: lataa allasimuri täyteen (noin 6 tuntia) ennen sen ensimmäistä käyttöä.

VAROITUS!

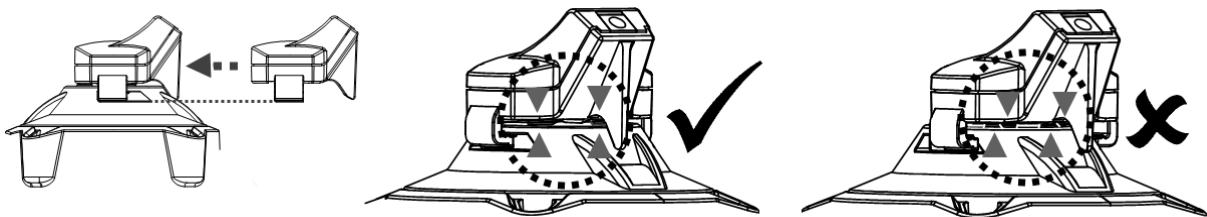
- Käytä vain laitteen mukana toimitettua ulkoista laturia ja latausalustaa.
- Varmista, että allasimuri ja latausliitin ovat puhtaita ja kuivia ennen asennusta ja lataamista. (VINKKI: kuivaa latausliitin ja latausnastat vanupuikolla)

- Lataus on suoritettava sisätiloissa, hyvin tuuletetussa paikassa suojassa auringonvalolta, lämmönlähteiltä, sytytyslähteiltä, lasten ulottumattomissa ja ympäristön lämpötilan ollessa 5 °C (41 °F) - 35 °C (95 °F).
- Älä koskaan käytä ulkoista laturia ja latausalustaa, jos havaitset vaurioita.
- Latausliittimen nastat ovat vedenpitäviä. Kuitenkin vesijäänteet liittimessä ja sen nastojen ympärillä voivat aiheuttaa luonnollisesti esiintyviä tahroja (veden ja sähkövirtojen välisen kemiallisen reaktion sivutuote). Siinä tapauksessa tahrat voidaan poistaa hieromalla kevyesti vanupuikolla, joka on kasteltu sitruunamehulla tai etikalla.
- Varmista, että allasimuri on kytketty pois päältä ennen lataamista.

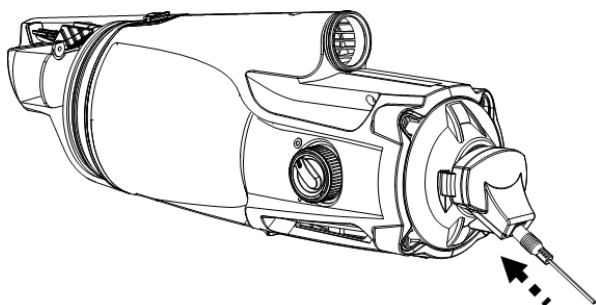
1. Aseta laite tasaiselle alustalle. Varmista, että allasimurin virta on katkaistu kääntämällä virtakytkin pois päältä-asentoon ennen lataamista.



2. Kohdista ja liu'uta latausalustan koukku päärungon alaosassa olevaan sivurakoon, kunnes se pysähtyy. Varmista, että niiden kosketuslevyt koskettavat kunnolla toisiaan.



3. Kytke ulkoisen laturin liitin latausalustan päässä olevaan latausliittimeen.



4. Liitä ulkoinen laturi virtalähteeseen. Kun allasimuri alkaa latautua, ulkoisen laturin merkkivalo muuttuu punaiseksi. Normaalisti täyteen lataamiseen kuluu noin 4-6 tuntia. Merkkivalo muuttuu vihreäksi, kun allasimuri on lähes täyteen ladattu.

HUOMAA: jos moottorista kuuluu epänormaalia ääntä, sammuta laite asettamalla virtakytkin pois päältä/lataustila -asentoon.

- Irrota ulkoinen laturi välittömästi virtalähteestä, jos havaitset jotain seuraavista:
 - Paha tai epätavallista hajua
 - Liiallista kuumuutta
 - Epämuodostumia, halkeamia, vuotoja
 - Savua
 -
5. Kun lataus on valmis, irrota ulkoinen laturi virtalähteestä ja latauspistoke laitteesta ja ulkoisesta laturista..

Normaalisti allasimuri voi toimia jopa 30 minuuttia täydellä latauksella (kun ladattu 4-6 tuntia)

HUOMAA: Puhdista suodatinkehikko säännöllisesti. Liiallinen roska suodatinkehikon sisällä lisää moottorin rasitusta ja lyhentää sen käyttöaikaa.

FAKTA: Ladattava litiumioniakku on luokiteltu kulutustarvikkeeksi. Sen käyttöikä on rajallinen ja se menettää vähitellen latauskykynsä. Allasimurin akun tyhjennysaika lyhenee vähitellen toistuvien lataamisten ja purkamisten takia.

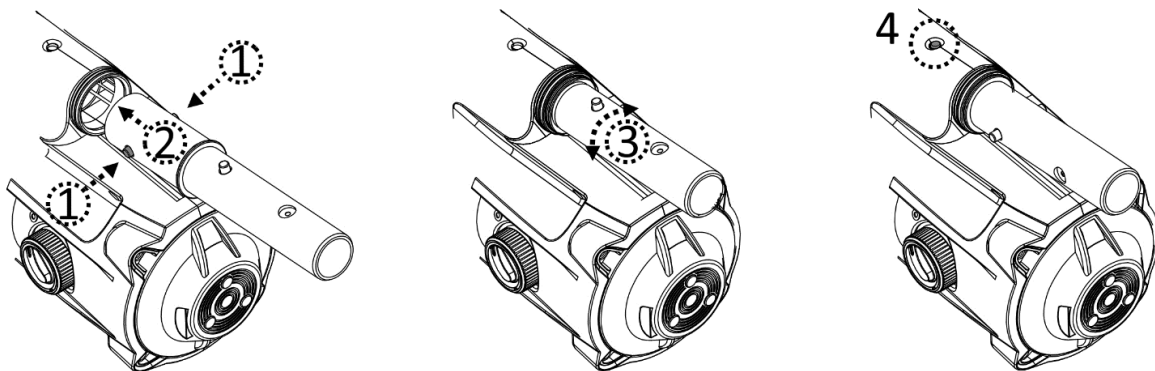
Kun akun käyttöikä on lopussa, katso ohjeet sen hävittämisestä kohdasta "AKUN HÄVITTÄMINEN".

HUOMAA: Anna allasimurin levätä 30-40 minuuttia ennen kuin lataat sen uudelleen.

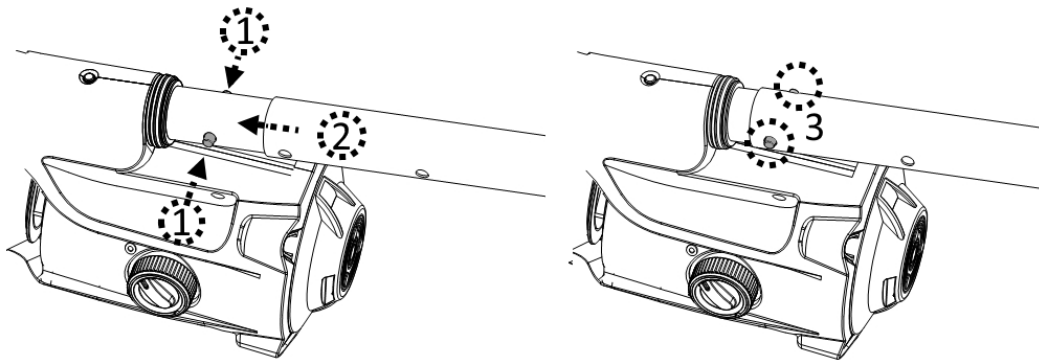
Asetukset ennen käyttöä

TELESKOOPPITANGON (EI SISÄLLY TOIMITUKSEEN) ASENNUS (vain EU ja USA)

Paina teleskooppitangon liittimen sivutapit alas ja työnnä se päärungon sisään. Käännä liittintä kumpaan suuntaan tahansa, kunnes sen tappi kiinnittyy reikään kaavion mukaisesti.



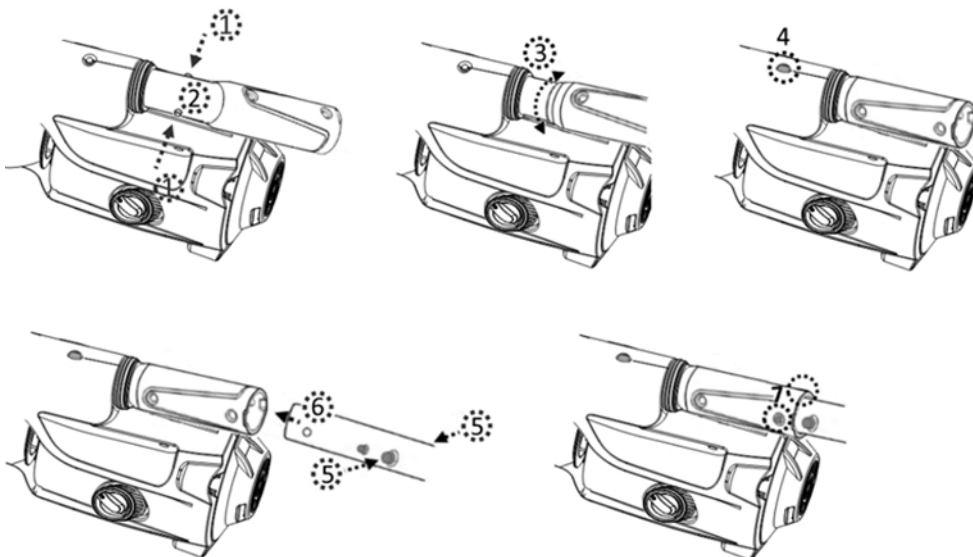
Liu'uta teleskooppitanko tankoliittimen päälle. Paina liittimen sivutappeja ja liu'uta teleskooppitankoa edelleen alaspäin, kunnes liittimen tapit kiinnittyvät tangon reikiin sisään.



Vapauta teleskooppitanko painamalla sivutappeja alas samanaikaisesti ja vedä tanko pois.

ERITYISEN TELESKOOPPITANGON (EI SISÄLLY TOIMITUKSEEN) ASENNUS (vain Australia ja Uusi-Seelanti)

Työnnä erityisen teleskooppitangon liittimen pää (kahdella sivutapilla) allasimuriin kuvan mukaisesti, kunnes sen sivutapit kiinnittyvät kahvan lukitusreikään takarungossa. Asenna erityinen teleskooppitanko (sisäisellä kiinnikkeellä) tankoliittimeen kuvan mukaisesti::



Altaan valmistelu

- Jos vuorauksen alapintaan on joutunut kiviä, juuria tai metallikorroosiota, poista ne ennen allasimurin käyttöä. Pyydä tarvittaessa apua pätevältä ammattilaiselta.
- Jos vuoraus on hauras, vaurioitunut tai vääntynyt, ota yhteyttä pätevään ammattilaiseen tarvittavien korjausten suorittamiseksi tai vuorauksen vaihtamiseksi ennen allasimurin käyttöä.

- Jos käytät allasimuria suolaisen veden altaassa varmista, että kaikki suola on liuennut ennen imurin asettamista veteen.

TOIMINTA

VAROITUS!

- Varmista, että allasimuri on kytketty pois päältä
- Älä käytä allasimuria, jos siinä havaitaan vaurioita.
- O-renkaaseen voideltavien aineiden mahdollinen vuoto voi aiheuttaa öljyvärjäytymistä.
- Älä käytä tätä allasimuria, jos vedessä on henkilöitä / lemmikkieläimiä.
- Varmista, että allasimuri on upotettu kokonaan altaaseen ennen käytön aloittamista. Allasimurin käyttämiseen vaadittavan vähimmäisvedenpinnan on oltava allasimurin virtakytkimen yläpuolella, kun sitä pidetään pystysuorassa asennossa. Kun allasimuria ei ole upotettu oikein, sen käyttö voi vahingoittaa laitetta ja mitätöidä takuun.
- **ÄLÄ** käytä allasimuria ilman ehjää suodatinhäkkiä. Allasimurin käyttäminen ilman ehjää suodatinhäkkiä mitätöi takuun.
- **ÄLÄ** jätä allasimuria veteen, kun sitä ei käytetä.
- Varmista ennen allasimurin käyttöönottoa, että latauskaapeli on irrotettu ja latausliitin suljettu suojakorkilla.

- 1) Tuo allasimuri altaan/porealtaan reunalle. Upota imuri veteen ja aloita sen käyttö kääntämällä virtakytkin päällä-asentoon.

HUOM! Varmista, että allasimuri osoittaa aina alaspäin, kun se laitetaan altaaseen. Muutoin tankoliitin voi taipua ja vaurioitua.

- 2) Poista imuri altaasta/porealtaasta nostamalla sitä kun se osoittaa alaspäin, jotta vesi pääsee poistumaan vedenpoistovoventtiilistä. Vesi poistuu kahvan/tankoliittimen ja takarungon kahvan sisällä olevien tyhjennysreikien kautta.

HUOM! Varmista, että allasimuri osoittaa aina alaspäin, kun se poistetaan altaasta. Muussa tapauksessa tankoliitin voi taipua ja vahingoittaa allasimuria.

- 3) Huuhtelee allasimuri puhtaalla vedellä jokaisen käytön jälkeen. **ÄLÄ** käytä pesuaineita.

SUODATTIMEN TYHJENTÄMINEN

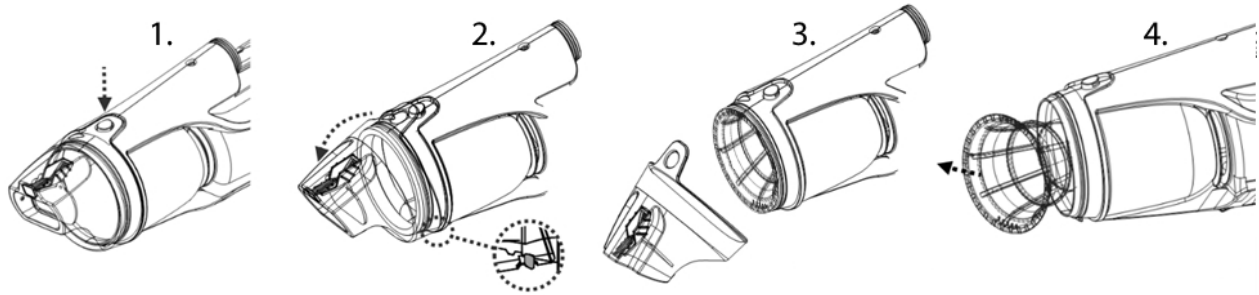
VAROITUS! Allasimurin käyttäminen ilman suodatinhäkkiä **MITÄTÖI** takuun.

Puhdistustehokkuuden maksimoimiseksi puhdistaa suodatinhäkki ennen jokaista käyttökertaa ja sen jälkeen.

HUOM! Jos allasimuri on latautumassa, irrota ulkoinen laturi virtalähteestä ja allasimuri latausalustasta. Varmista, että allasimuri on kytketty pois päältä

• Suodatinhäkin puhdistus

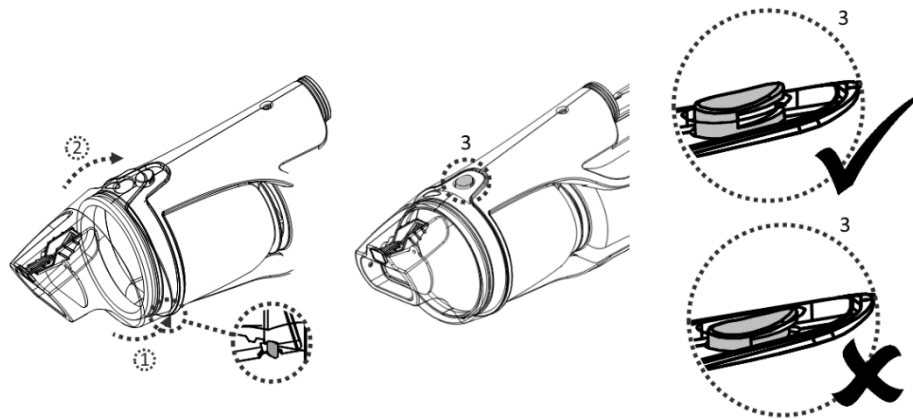
1. Aseta allasimuri vakaalle alustalle..
2. Paina lukituspainiketta, kunnes läpinäkyvän säiliön lukitusreikä vapautuu. Käännä säiliötä pois päin laitteesta, kunnes pohjassa oleva lovi vapautuu rungosta pohjassa olevasta koukusta. Irrota suodatinkehikko rungosta.



HUOM! Vaihda vaurioitunut suodatinkehikko välittömästi ennen seuraavaa käyttöä.

3. Poista lika ja huuhtelee suodatinkehikko vedellä. Jos harjaus katsotaan tarpeelliseksi, puhdista suodatinkehikko varovasti ja huolellisesti vain pehmeällä harjalla.
4. Aseta suodatinkehikko uudelleen rungosta sisään. Varmista, että suodatinkehikko on työnnetty kokonaan päärungon sisään.

Asenna säiliö uudelleen paikalleen asettamalla sen lovi ensin rungosta koukkuun ja painamalla sitten säiliö kiinni päärunkoon. Varmista, että läpinäkyvän säiliön lukitusreikä on lukittu lukituspainikkeella.



HUOLTO JA VARASTOINTI

HUOMAA:

1. Muista puhdistaa ja kuivata latausliittimen ja vesianturien alue jokaisen käytön jälkeen, jotta välttyt tahrojen muodostumiselta (sähkövirran ja veden välisen luonnollisen kemiallisen reaktion sivutuote). Siinä tapauksessa tahrat voidaan poistaa hieromalla kevyesti vanupuikolla, joka on kasteltu sitruunamehulla tai etikalla.
2. Akku purkautuu itsestään varastoinnin aikana. Muista ladata allasimuri noin 30-50 prosenttiin akun kapasiteetista ennen sen varastointia.

3. Akku on ladattava uudelleen vähintään joka kolmas kuukausi, kun sitä ei käytetä.
- Irrota ulkoinen laturi pistorasiasta ja laturin pistoke latausalustasta.
 - Irrota varusteet allasimurista. Huuhtele allasimuri ja sen varusteet tarvittaessa puhtaalla vedellä. ÄLÄ käytä pesuainetta.
 - Varmista, että tyhjennät veden laitteesta, kahvasta ja tankoliittimestä.
 - Puhdista ja kuivaa allasimuri ja sen lisävarusteet kostealla liinalla.
 - Säilytä niitä hyvin ilmastoidussa paikassa suojassa auringonvalolta, lämmönlähteiltä, sytytyslähteiltä, sekä uima-allaskemikaaleilta ja lasten ulottumattomissa. Säilytyksen ympäristölämpötilan tulee olla 10 °C - 25 °C (50 °F - 77 °F). HUOMAA: Korkeampi lämpötila voi lyhentää akun käyttöikää varastoinnin aikana.

VAROITUS!

- Älä koskaan yritä purkaa allasimuria.
- Älä missään tapauksessa yritä purkaa allasimuria ja vaihtaa juoksupyörää, moottoria, tai akkua itse.

VAROITUS!

- Liiallinen kuumuus voi vahingoittaa akkua ja lyhentää robotin käyttöikää.
- Ota yhteys jälleenmyyjään akun vaihtamisesta, jos:
 - Akku ei lataudu täyteen.
 - Akun käyttöaika lyhenee huomattavasti. Tarkkaile ja kirjaa ensimmäisten toimintojen käyttöajat (täydellä latauksella). Käytä näitä käyttöaikoja vertailukohtana tuleville käyttöajoille.
- Akku on poistettava robotista ennen sen hävittämistä.
- Robotti on irrotettava verkkovirrasta, kun akku poistetaan.
- Akku on hävitettävä turvallisesti paikallisten jätteenkäsittelyä ja kierrätystä koskevien lakien ja säännösten mukaisesti.

HUOMAA: virheellinen huolto voi lyhentää akun käyttöikää ja vaikuttaa sen kapasiteettiin.

AKUN HÄVITTÄMINEN (sen saa suorittaa vain valtuutettu teknikko)

Robotti on varustettu huoltovapaalla ladattavalla litiumioniakulla, joka on hävitettävä asianmukaisesti. Kierrätys on pakollista, ota yhteyttä paikalliseen viranomaiseen saadaksesi lisätietoja.

VAROITUS! Älä koskaan yritä irrottaa akkua

- Ota pois kaikki henkilökohtaiset esineet, kuten sormukset, rannekorut, kaulakorut ja kellot, kun akku on irrotettu robotista.
- Akku voi tuottaa riittävän suuren oikosulkuvirran sormuksen (tai vastaavan esineen) hitsaamiseksi metalliin, aiheuttaen vakavan palovamman.
- Käytä asianmukaista silmiensuojainta, käsineitä ja suojavaatetusta, kun akkua poistetaan.
- Vältä koskemasta johtoihin ja vältä kosketusta niiden ja metalliesineiden välillä, se voi aiheuttaa kipinöintiä ja/tai oikosulun akussa.
- Älä koskaan tupakoi tai salli kipinöintiä tai liekkejä akun tai robotin läheisyydessä.

- Älä altista akkua tulelle tai voimakkaalle kuumuudelle, koska se voi aiheuttaa räjähdyksen.

VAROITUS!

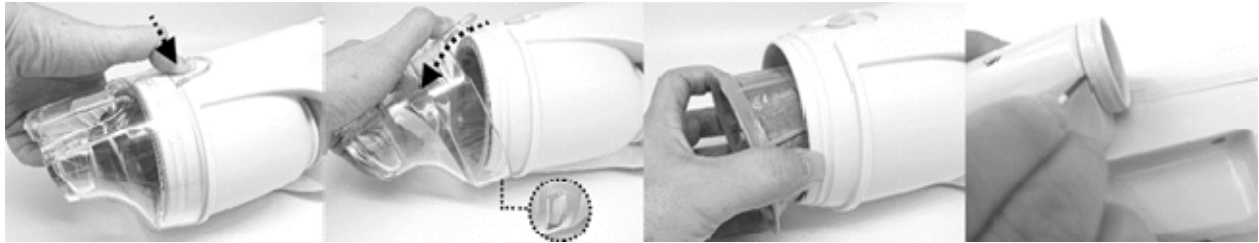
Jos akku vuotaa, vältä kosketusta vuotaviin nesteisiin ja aseta vaurioitunut akku muovipussiin.

- Jos vuotavat nesteet joutuvat iholle ja vaatteille, pese ne välittömästi runsaalla saippualla ja vedellä.
- Jos vuotavia nesteitä joutuu silmiin, älä hiero silmiä, huuhtelee silmät välittömästi viileällä juoksevilla vedellä vähintään 15 minuutin ajan äläkä hiero niitä. Hakeudu lääkäriin mahdollisimman pian

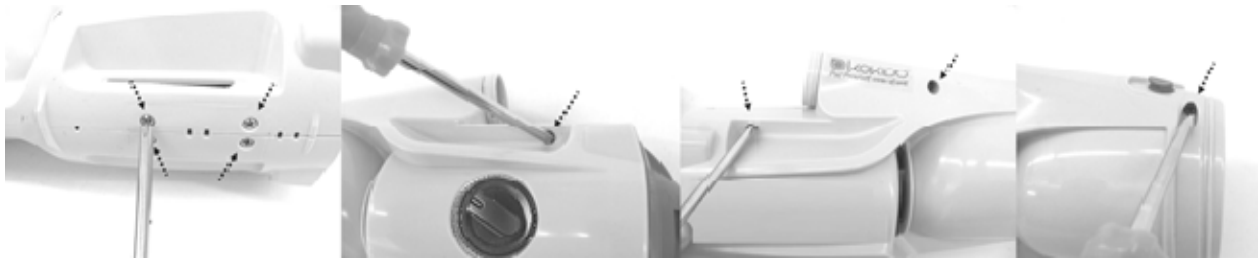
Akun irrottaminen vain sen hävittämistä varten (valtuutetun teknikon suoritettava)

Suosittelut työkalut (ei sisälly toimitukseen): Ristipääruuvimeisseli

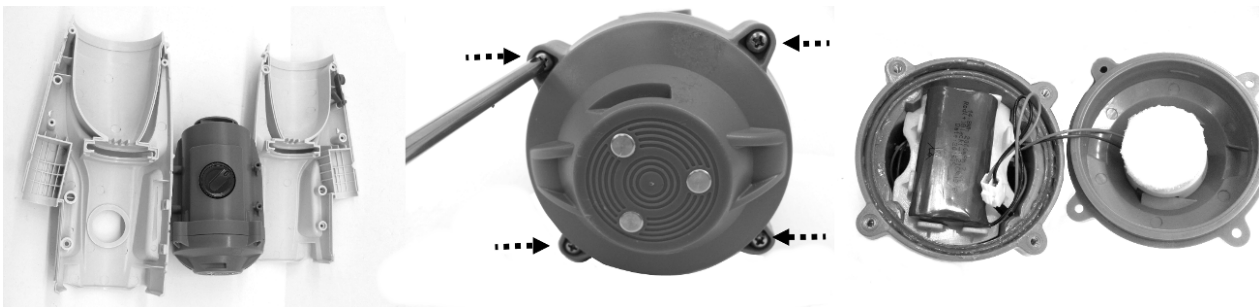
1. Paina lukituspainiketta ja irrota läpinäkyvä säiliö rungosta. Irrota rengas rungosta pienellä ruuvimeisselillä. Jos rengas on vaikea irrottaa ruuvimeisselillä, leikkaa leikkauspihdillä.



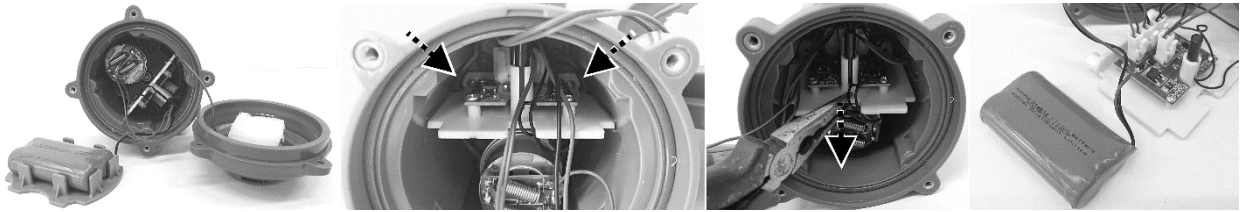
2. Avaa ristipääruuvimeisselillä kaikki rungoston ruuvit.



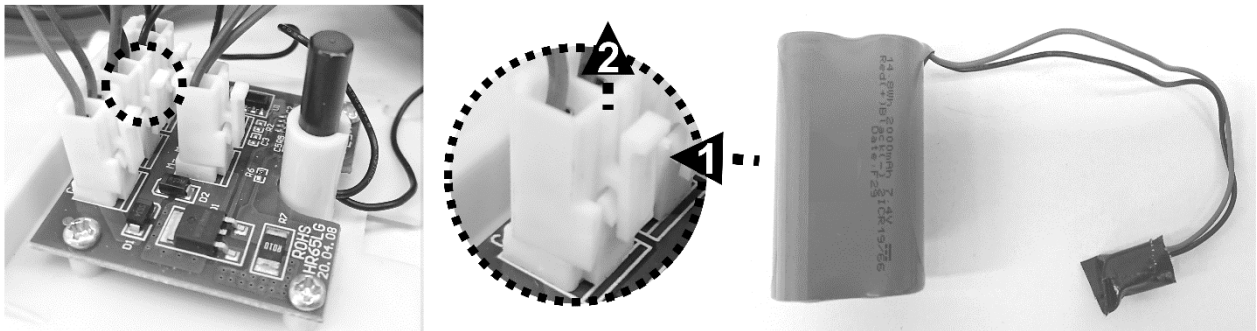
3. Erotta runko kahteen osaan päästäksesi käsiksi pääkammioon. Irrota päätykansi ristipääruuvimeisselillä, niin akku tulee näkyviin.



4. Avaa ristipääruuvimeisselillä ruuvi piirilevyn kulmasta osoitetulla tavalla. Vedä levy pihdeillä ulos, niin piirilevyn johdinliittimet tulevat näkyviin.



5. Paikanna keskiliitin kuvan mukaisesti, paina sen pidikettä ja vedä se ulos. HUOMAA: Teippaa liitin välittömästi eristysteipillä, jotta vältetään molempien johtoliittimien koskettamisesta aiheutuvalta oikosululta.



VIANMÄÄRITYS

Ongelma	Mahdollinen syy	Ratkaisu
Allasimuri ei kerää roskia	Akku on tyhjentymässä	Lataa akku uudelleen.
	Juoksupyörä on juuttunut	Sammuta allasimuri ja tarkista silmämääräisesti allasimurin keskellä olevasta raosta, onko juoksupyörä juuttunut suurien roskien takia. Jos mahdollista, poista roskat varovasti pienellä työkalulla. Pyydä tarvittaessa lisätietoja jälleenmyyjältäsi. VAROITUS! Varmista, että allasimuri on kytketty pois päältä, kun laitetta huolletaan.
	Juoksupyörä on rikki	Ota yhteys jälleenmyyjään juoksupyörän vaihtamiseksi.
	Suodatinkehikko on täynnä	Puhdista suodatinkehikko.
Likaa pääsee ulos suodattimesta	Imusuuttimen läppä on rikki	Imusuuttimen läppä toimii kuin ovi, joka estää roskien valumisen suodattimesta. Ota yhteys jälleenmyyjään varaosien ja ohjeiden saamiseksi.
	Suodatinkehikko on vaurioitunut.	Vaihda uuteen suodatinkehikkoon.
	Poistoventtiili irtoaa.	Ilman poistoventtiiliä allasimuri saattaa kerätä roskia tämän aukon kautta. Ota yhteyttä jälleenmyyjään venttiilin vaihtamiseksi.
Teleskoopitangon liitintä ei voi asentaa tukevasti	Tankoliittimen sivutappi on rikki	Vaihda tilalle uusi tankoliitin.
Allasimuri aktivoituu, vaikka kytkin osoittaa, että se on pois päältä.	Lähellä olevat magneettiset esineet ovat vahingossa käynnistäneet moottorin.	Siirrä magneettiset esineet ja imuri erilleen toisistaan.
Allasimuria ei voi ladata/ladata uudelleen	Akku on vaurioitunut	Ota yhteys jälleenmyyjään akun vaihtamiseksi. VAROITUS! ÄLÄ avaa allasimuria ja yritä vaihtaa akkua itse. Tämä voi aiheuttaa vakavan tai kuolemaan johtavan loukkaantumisen ja takuu raukeaa.
	Latausalustan latauslevyt ja allasimuri eivät kosketa kunnolla toisiaan	Varmista, että latausalusta on asennettu oikein allasimuriin ja että niiden kosketuslevyt koskettavat kunnolla toisiaan
	Ulkoisen laturi vaurioitunut	Ota yhteys jälleenmyyjään vaihtoa varten. VAROITUS! Väärän ulkoisen laturin käyttäminen vahingoittaa allasimuria/akkua ja mitätöi takuun.
Toiminta-aika on odotettua lyhyempi	Akkua ei ole ladattu täyteen	Lataa allasimuria vähintään 6 tuntia. HUOMAA: jos latauskoskettimissa on tahroja, poista ne sitruunamehulla tai etikalla kostutetulla vanupuikolla
Ympäristöohjelmat, eurooppalainen sähkö- ja elektroniikkaromudirektiivi WEEE		
	Noudata Euroopan unionin määräyksiä ja auta suojelemaan ympäristöä. Palauta toimimattomat sähkölaitteet kunnan nimeämään laitokseen, jossa sähkö- ja elektroniikkalaitteet kierrätetään asianmukaisesti. Älä hävitä niitä lajittelemattoman sekajätteen mukana. Jos laitteessa on irrotettavia paristoja/akkuja, poista ne ennen laitteen hävittämistä.	
	© 2021 BWT Holding GmbH. 21010025 Kaikki oikeudet pidätetään. Mitään tämän asiakirjan osaa ei saa kopioida tai lähettää missään muodossa tai millään tavalla, sähköisesti, mekaanisesti, valokopioimalla, tallentamalla tai muuten ilman BWT Holding GmbH.:n kirjallista lupaa. (V1)	

Jos tarvitset tämän käyttöohjeen painettua kopiota, ota yhteyttä asiakaspalveluumme sähköpostitse.


TALLENNA NÄMÄ OHJEET

SIKKERHETSADVARSLER OG INSTRUKSJONER

Informasjonen i denne bruksanvisningen vil hjelpe deg å bruke enheten på en trygg måte, beskytte deg selv og andre fra fare og forhindre skade på enheten og annen eiendom.

TA VARE PÅ DISSE INSTRUKSJONENE

ADVARSEL!

- Dette er ikke en LEKE. Bassengstøvsugeren og tilbehøret skal oppbevares utilgjengelig for barn.
- Aldri la barn bruke denne bassengstøvsugeren.
- Enheten skal ikke brukes av personer som har reduserte fysiske, sensoriske eller mentale evner, eller manglende erfaring og kunnskap, med mindre de er under oppsyn eller har fått opplæring i sikker bruk av enheten av en person som er ansvarlig for deres sikkerhet og forstår farene involvert.
- Ikke la barn leke med dette produktet.
- Barn skal ikke rengjøre og vedlikeholde bassengstøvsugeren.
- Sørg for at bassengstøvsugeren er helt nedsenket i bassenget før bruk. Vannstanden må minst dekke bassengstøvsugerens PÅ/AV-knapp når den holdes i vertikal posisjon. Hvis man bruker bassengstøvsugeren når den ikke er korrekt nedsenket i vann, kan det skade enheten og oppeve garantien.
- Maksimal dybde ved bruk i vann er 3 meter (9,8 fot).
- Maksimal vanntemperatur: 5 °C (41 °F)– 35 °C (95 °F)
-  Avtagbar forsyningsenhet (ekstern adapter).
- Bassengstøvsugeren skal kun lades med den eksterne adapteren og ladesokkel som leveres med dette produktet.
- Bruk kun avtagbar forsyningsenhet til å lade batteriet (ekstern adapter modellnummer: DSS12D-0841000-B / DSS12D-0841000-C / DSS12D-0841000-D / LX084100U) som kommer med bassengstøvsugeren for å lade batteriet.
- Koble den eksterne adapteren til et strømuttak via en jordfeilbryter (RDC/(GFCI). Ta kontakt med en elektriker hvis du er i tvil.
- Ikke bruk bassengstøvsugeren hvis skade oppdages.
- Skift ut skadede deler med deler som er sertifisert av en distributør eller produsent.
- Slå av strømmen, koble den eksterne adapteren fra strømkilden og trekk den eksterne adapteren ut av ladesokkel før du kobler bassengstøvsugeren fra ladesokkel.
- Koble bassengstøvsugeren fra strømmettet og sørg for at bassengstøvsugeren er SLÅTT AV før du utfører standard vedlikehold – slik som å rengjøre filteret og ladekontaktene.
- Ikke prøv å bytte ut den oppladbare installerte litium-ionbatteripakken.
- IKKE ta på bassengstøvsugeren, den eksterne adapteren og ladesokkel med våte kroppsdeler eller uten sko mens den lader.
- Du må ikke bruke bassengstøvsugeren når personer/kjæledyr er i

vannet.

- IKKE bruk denne bassengstøvsugeren uten en intakt filterburet på plass, ellers oppheves garantien som en følge av dette.
- Fare for at ting setter seg fast i suget: Bassengstøvsugeren genererer sug. Ikke la hår, kroppsdeler eller løse deler av klærne dine få kontakt med bassengstøvsugerens sugehull ved bruk.
- Ikke putt kroppsdeler, klær eller andre objekter inn i åpningene og de bevegelige delene av den elektriske støvsugeren.
- IKKE bruk bassengstøvsugeren til å plukke opp giftige stoffer, brannfarlige og brennbare væsker (dvs. bensin) i nærheten av eksplosiv eller brannfarlig røyk.
- Du må aldri under noen omstendigheter prøve å demontere bassengstøvsugeren, og bytte ut løpehjulet, motoren og batteriet selv.
- Putt aldri fingre eller andre objekter i kontakt med løpehjulet.
- Det innebygde batteriet må fjernes av en kompetent tekniker før det kasseres.
- Bassengstøvsugeren har et batteri som bare skal fjernes av opplærte personer.
- Bassengstøvsugeren må være koblet fra strømmettet når batteriet fjernes.
- For mer informasjon om resirkulering/avhending av batteriet, se delen «BATTERIAVHENDING» av bruksanvisningen, og ta kontakt med lokale myndigheter for mer informasjon.
- Batteriet må avhendes på en trygg måte i henhold til lokale regler og forskrifter.

- Ekstern adapter og ladesokkel:
 - Aldri bruk den eksterne adapteren og ladesokkel til noe annet enn opplading av batteriet på bassengstøvsugeren, som fulgte med i den samme pakken.
 - Den eksterne adapteren og ladesokkel må ikke brukes utendørs, og skal ikke utsettes for regn, fukt, andre væsker eller varme.
 - Transformatoren (eller den eksterne adapteren) skal være utenfor sone 1
 - Oppbevar den eksterne adapteren og ladesokkel utilgjengelig for barn.
 - Bruk aldri den eksterne adapteren og ladesokkel hvis skade oppdages.
 - IKKE ta på den eksterne adapteren og ladesokkel med våte hender.
 - IKKE ta på bassengstøvsugeren, den eksterne adapteren og ladesokkel med våte hender eller uten sko mens den lader.
 - Den eksterne adapteren skal være koblet fra strøm når den ikke er i bruk.
 - Prøv aldri å åpne den eksterne adapteren og ladesokkel.
 - Dersom strømledningen til den eksterne adapteren er skadet, må den eksterne adapteren byttes ut av produsenten eller

- serviceagenten for å forhindre farerisiko.
- Sørg for at bassengstøvsugeren og ladesokkel er helt tørre før lading.

FORSIKTIG!

- Bassengstøvsugeren er kun laget for å brukes under vann; det er ikke en rengjøringsenhet for alle slags formål. IKKE bruk den til å rengjøre noe annet enn basseng/spa.
- Bruk kun originalt tilbehør som leveres med dette produktet.
- IKKE bruk bassengstøvsugeren rett etter du har tilsatt klor i bassengvannet. Det anbefales at bassenget får sirkulere i minst 24–48 timer.
- Hvis du skal bruke bassengstøvsugeren i et basseng med saltvann, må du sørge for at alt saltet er løst opp før du bruker bassengstøvsugeren.
- IKKE bruk bassengstøvsugeren med en annen automatisk rengjøringsenhet / rengjøringsenhet samtidig i bassenget/spaet.
- Unngå å plukke opp harde og skarpe objekter med produktet. De kan skade bassengstøvsugeren og filteret.
- Vær forsiktig når du rengjør bassengtrappen.
- For å unngå skade på den eksterne adapteren og ladesokkel, må du ikke bære roboten etter ledningen til den eksterne adapteren / ladesokkel, eller dra i ledningen for å koble fra strømkilden og ladesokkel.
- Lad bassengstøvsugeren innendørs i et rent og tørt område med god ventilasjon, og omgivelsestemperatur mellom 5 °C (41 °F) og 35 °C (95 °F) .
- IKKE la bassengstøvsugeren lade i mer enn 10 timer.
- Hvis bassengstøvsugeren ikke skal brukes over en lengre periode, koble den fra ladesokkel og bruk en fuktig klut til å rengjøre og tørke bassengstøvsugeren og tilbehøret. Sørg for at bassengstøvsugeren er ladet opp til mellom 30 % og 50 % av batterikapasiteten før den lagres. Lagres i et område med god ventilasjon og uten direkte sollys, varme, antennelseskilder, bassengkjemikalier og barn. La aldri bassengstøvsugeren være tilkoblet når den oppbevares over tid. Lad opp bassengstøvsugeren hver tredje måned.

Advarslene og forholdsreglene ovenfor har ikke som hensikt å inkludere alle mulige tilfeller av risiko og/eller alvorlige skader Basseng/spaieiere må alltid være ekstra forsiktige og bruke sunn fornuft når de bruker produktet.

Merknad: Produkt/delbilder/illustrasjoner i denne bruksanvisningen er kun til demonstrasjon. Produkter/deler på bilder/illustrasjoner kan variere fra den kjøpte modellen. Tilbehør/deler som vises i denne bruksanvisningen og deldiagrammet er ikke nødvendigvis inkludert i alle modellene.

KOM I GANG

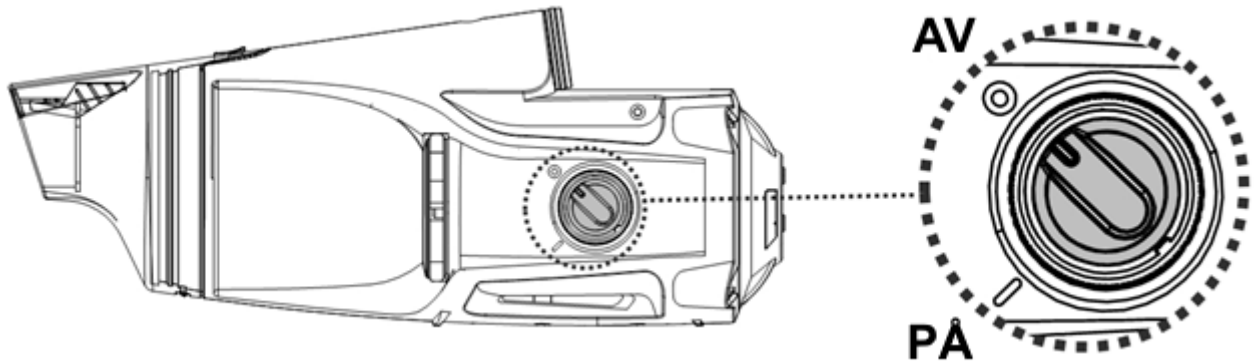
Opplading av batteriet

VIKTIG MERKNAD: Lad bassengstøvsugeren helt opp (rundt 6 timer) før du bruker den for første gang.

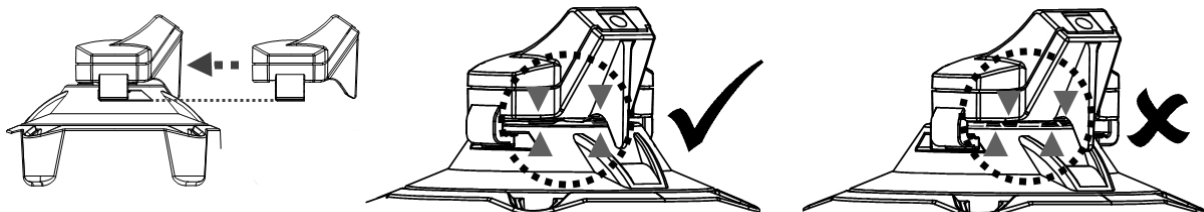
ADVARSEL!

- Bruk bare den originale eksterne adapteren og ladesokkel som følger med.
- Sørg for at bassengstøvsugeren og ladeporten er rene og tørre før oppsett og lading. (TIPS: Bruk en bomullsdott til å tørke ladeporten og -kontaktene)
- Den må lades innendørs, på et sted med god ventilasjon, unna direkte sollys, barn, varme, antenneskilder, og med omgivelsestemperatur mellom 5 °C (41°F) og 35 °C (95°F).
- Bruk aldri den eksterne adapteren og ladesokkel hvis skade oppdages.
- Ladekontaktene er vanntette. Rester av vann i porten og rundt kontaktene kan imidlertid føre til naturlige flekker (et biprodukt av kjemisk reaksjon mellom vann og elektrisk strøm). Flekkene kan ellers fjernes ved å skrubbe lett med en bomullsdott med sitronsaft eller eddik.
- Sørg for at bassengstøvsugeren er slått av før lading.

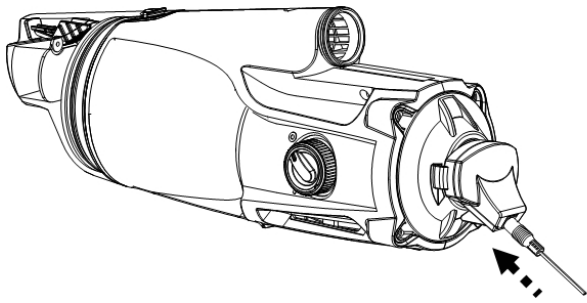
1. Plasser enheten på et flatt underlag. Sørg for at bassengstøvsugeren er slått av ved å skyve AV/PÅ-bryteren til AV-posisjonen før lading.



2. Juster og skyv kroken til ladesokkelen på sidehaket på bunnen av hovedenheten til den stopper. Sørg for at kontaktplatene er ordentlig i kontakt med hverandre.



3. Sett kontakten til den eksterne adapteren inn i ladeporten på enden av ladesokkelen.



4. Koble den eksterne adapteren til strømkilden. Når bassengstøvsugeren begynner å lade, blir indikatorlyset på den eksterne adapteren rødt. Det tar vanligvis omtrent 4–6 timer til den er fulladet. Indikatorlyset blir grønt når bassengstøvsugeren er nesten fulladet.

MERKNAD: hvis motoren laget lyd, skru av ved å skyve AV/PÅ-bryteren til AV-posisjonen.

- Koble den eksterne adapteren fra strømkilden øyeblikkelig hvis du oppdager noe av følgende:
 - Ubehagelig eller uvanlig lukt
 - Sterk varme
 - Deformering, sprekker, lekkasjer
 - Røyk
- 5. Når den er fulladet, kobles den eksterne adapteren fra strømkilden, og ladesokkel fra enheten og den eksterne adapteren.

Bassengstøvsugeren kan vanligvis brukes i opptil 30 minutter når den er fulladet (ladet i 4–6 timer)

Merknad: Rengjør filterburet et jevnlig. For mye avfall i filterburet et øker belastningen på motordriften og reduserer driftstiden som en følge av dette.

FAKTA: Oppladbart litium-ion-batteri er klassifisert som en forbruksvare. Det har begrenset levetid, og vil gradvis miste kapasiteten til å holde på lading. Derfor reduseres bassengstøvsugeren brukstid gravis etter gjentatte ladinger og utladinger.

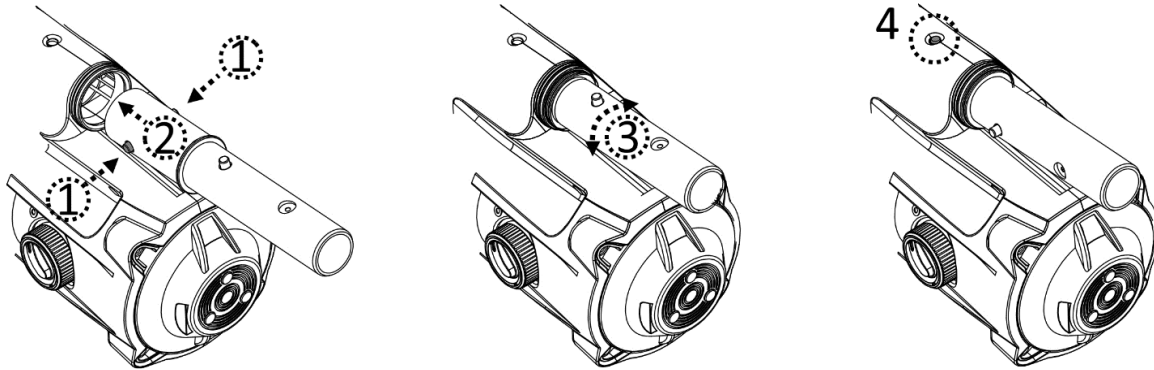
Når batteriets levetid er over, se delen «BATTERIAVHENDING» for instruksjoner for batteriavhending.

MERKNAD: La bassengstøvsugeren hvile i 30 til 40 minutter før den lades igjen.

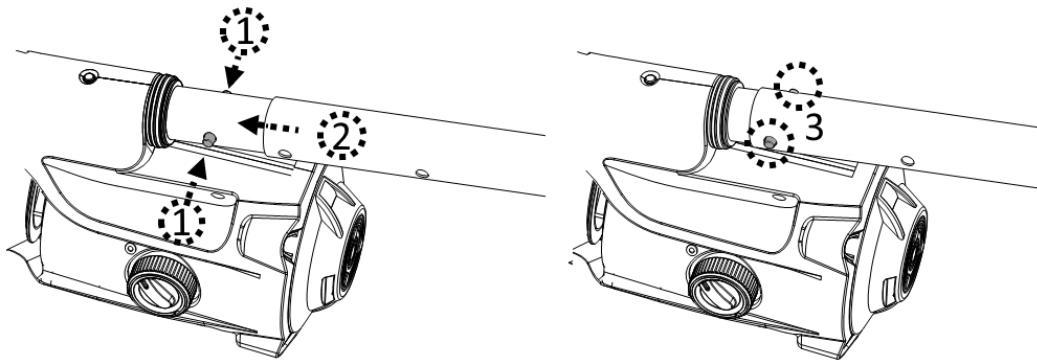
Oppsett før bruk

Montering av teleskopstang (medfølger ikke) (kun for EU og USA)

Trykk ned sidepinnene til koblingen for teleskopstangen, og skyv den inn i hovedenheten. Vri koblingen i begge retninger til pinnen er sikret i hullet, som bildet viser.



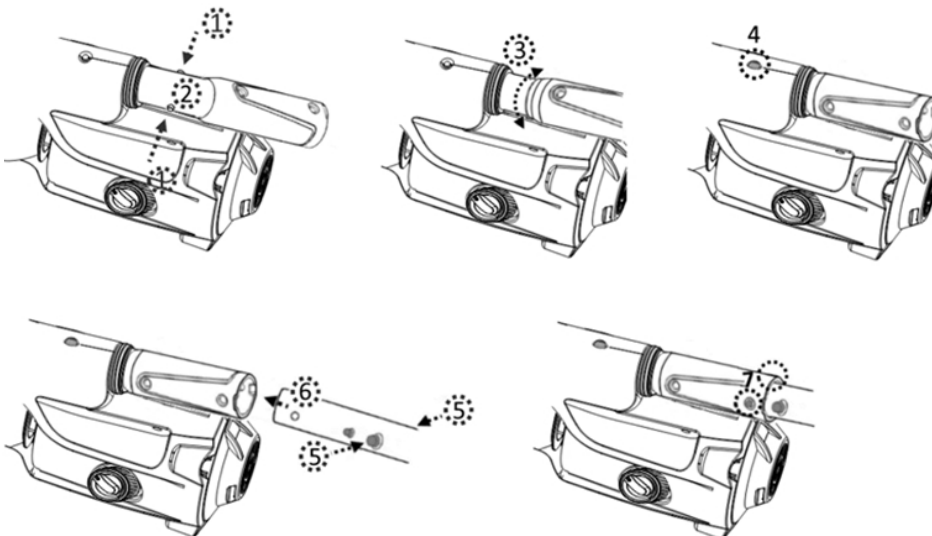
Skyv teleskopstangen på stangkoblingen. Trykk på koblingens sidepinner, og skyv teleskopstangen lengre ned til koblingens pinner er sikret i hullene i stangen.



For å løsne teleskopstangen, trykk ned sidepinnene samtidig og trekk ut stangen.

Montering av spesifikk teleskopstang (medfølger ikke) (kun for Australia/New Zealand)

Sett enden (med to sidepinner) av teleskopstangkoblingen inn i bassengstøvsugeren som vist, frem til sidepinnene er sikret til håndtakets låsehull på bakre hoveddel. Installer teleskopstangkoblingen (med indre klips) på stangkoblingen som vist:



Klargjøring av bassenget

- Hvis steiner, røtter eller metallkorrosjon er i kontakt med undersiden av belegget, må de fjernes før bassengstøvsugeren brukes. Be om hjelp fra en fagperson om nødvendig.
- Hvis belegget er sprøtt, skadet eller rynkete, må du kontakte en fagperson for å reparere det eller bytte det ut før du bruker bassengstøvsugeren.
- Hvis du bruker et basseng med saltvann, må du sørge for at alt saltet er løst opp før du setter bassengstøvsugeren i vannet.

BRUK

ADVARSEL!

- Sørg for at bassengstøvsugeren er slått av
- Ikke bruk bassengstøvsugeren hvis skade oppdages.
- Oljeflekker kan oppstå på grunn av mulig lekkasje av smøremidler på O-ringen.
- Du må ikke bruke bassengstøvsugeren hvis personer/kjæledyr er i vannet.
- Sørg for at bassengstøvsugeren er helt nedsenket i bassenget før bruk. Vannstanden må minst dekke bassengstøvsugerens PÅ/AV-knapp når den holdes i vertikal posisjon. Hvis man bruker bassengstøvsugeren når den ikke er korrekt nedsenket i vann, kan det skade enheten og oppheve garantien.
- IKKE bruk bassengstøvsugeren uten en intakt filterburet på plass. Hvis du bruker bassengstøvsugeren uten en intakt filterburet på plass, OPPHEVES garantien.
- IKKE la bassengstøvsugeren være i vannet når den ikke er i bruk.
- Sørg for at ladekabelen er koblet fra og at ladesokkel er forsynt med den beskyttende hetten, før bassengstøvsugeren settes i gang.

- 1) Ta med roboten til siden av bassenget/spaet. Senk bassengstøvsugeren i vann, og vri PÅ/AV-bryteren til PÅ-posisjonen for å starte den.

FORSIKTIG! Sørg for at bassengstøvsugeren vender nedover når den plasseres i bassenget. Ellers kan den bøye stangkoblingen og dermed skade den..

- 2) For å fjerne bassengstøvsugeren fra bassenget/spaet, løfter du bassengstøvsugeren mens den peker nedover for å la vannet tømmes ut av dreneringsventilen. Vann tømmes via håndtaket/stangkoblingen og dreneringshullene på innsiden av håndtakskammeret på bakre hoveddel.

FORSIKTIG! Sørg for at bassengstøvsugeren vender nedover når den fjernes fra bassenget. Ellers kan stangkoblingen bøyes, og dermed skade bassengstøvsugeren.

- 3) Skyll bassengstøvsugeren med rent vann etter hver bruk. IKKE bruk rengjøringsmiddel.

TØMMING AV FILTERET

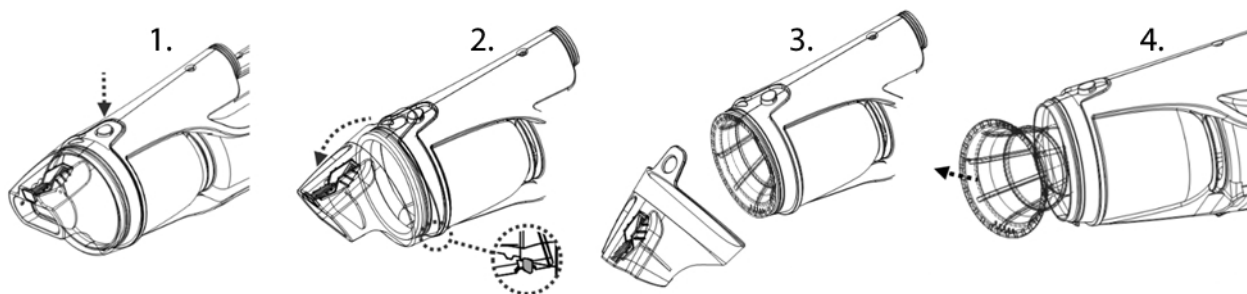
ADVARSEL! Hvis du bruker roboten uten filterburet et på plass, vil det **OPPHEVE** garantien.

Sørg for å rengjøre filterburet et før og etter hver bruk for å maksimere rengjøringens effektivitet. e.

FORSIKTIG! Hvis bassengstøvsugeren lader, koble den eksterne adapteren fra strømkilden og trekk den eksterne adapteren ut av ladesokkel. Sørg for at bassengstøvsugeren er slått AV.

• Rengjøre filterburet et

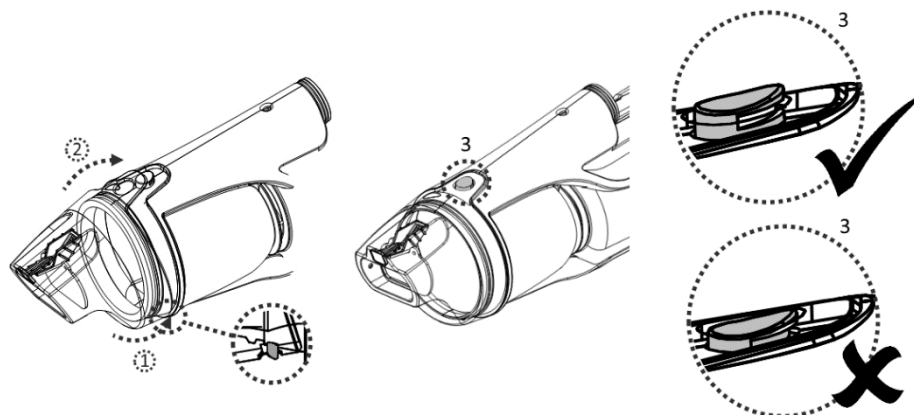
1. Plasser bassengstøvsugeren på en stabil overflate.
2. Press låseknappen frem til låsehullet på den blanke beholderen løsner. Skyv beholderen bort frem til hakket på bunnen av beholderåpningen løsner fra kroken på bunnen av hovedenheten. Fjern filterburet et fra hovedenheten.



FORSIKTIG! Bytt øyeblikkelig ut en ødelagt filterburet et med en ny før neste bruk.

3. Fjern avfallet, og skyll filterburet n med vann. Hvis den må børstes, bruk kun en myk børste for å rengjøre filterburet n forsiktig og nøyaktig.
4. Sett filterburet et tilbake inni hovedenheten. Sørg for at filterburet et er satt helt inn i hovedenheten.

For å sette beholderen tilbake, må du sette hakket på beholderen på linje med kroken på hovedenheten, og presse beholderen på hovedenheten. Sørg for at låsehullet på den blanke beholderen er sikret med låseknappen.



VEDLIKEHOLD OG OPPBEVARING

MERKNAD:

1. Sørg for å rengjøre og tørke områdene rundt ladeporten og ladekontaktene etter hver bruk for å unngå flekkdannelse (biprodukt av en naturlig kjemisk reaksjon mellom elektrisk strøm og vann). Flekkene kan ellers fjernes ved å skrubbe lett med en bomullsdott med sitronsaft eller eddik.
2. Batteriet lades ut av seg selv ved lagring. Sørg for at bassengstøvsugeren er ladet opp til mellom 30 % og 50 % av batterikapasiteten før den lagres.
3. Du må lade batteriet minst én gang hver tredje måned når det ikke er i bruk.
 - Koble den eksterne adapteren fra kontakten, og deretter adapterkontakten fra ladesokkel.
 - Koble tilbehør fra bassengstøvsugeren. Skyll bassengstøvsugeren med rent vann etter hver bruk om nødvendig. IKKE bruk rengjøringsmiddel.
 - Sørg for å tømme enheten, håndtaket og stangkoblingen for vann.
 - Bruk en fuktig klut til å tørke bassengstøvsugeren og tilbehøret.
 - Oppbevar dem i et område med god ventilasjon og uten direkte sollys, barn, varme, antenneskilder og bassengkjemikalier. Omgivelsestemperaturen ved lagring skal være mellom 10 °C–25 °C (50 °F–77 °F). MERKNAD: Høyere temperatur under oppbevaring kan redusere batterilevetiden.

ADVARSEL!

- Du må aldri prøve å demontere bassengstøvsugeren.
- Du må aldri under noen omstendigheter prøve å demontere bassengstøvsugeren, og bytte ut løpehjulet, motoren og batteriet selv.

FORSIKTIG!

- Overdrevent høy varme kan skade batteriet, og dermed redusere robotens levetid.
 - Snakk med forhandleren om å bytte ut batteriet hvis følgende skulle skje:
 - Batteriet lader ikke fullstendig.
 - Batteriets brukstid er merkbart redusert. Observer og registrer driftstiden de første gangene den brukes (med fullt batteri). Bruk disse driftstidene som referansepunkt for sammenligning for driftstider i fremtiden.
 - Batteriet må fjernes fra roboten før den kasseres.
 - Roboten må kobles fra strømmettet når batteriet fjernes.
 - Batteriet skal avhendes på en trygg måte i henhold til lokale regler og forskrifter.
- MERK: Feil vedlikehold kan redustere batterilevetiden, og dermed påvirke kapasiteten.

BATTERIAVHENDING (Skal utføres av en autorisert tekniker)

Roboten er utstyrt med en vedlikeholdfri oppladbar litium-ion-batteripakke, som må avhendes på riktig måte. Resirkulering er obligatorisk, ta kontakt med lokale myndigheter for mer informasjon..

ADVARSEL! Prøv aldri å demontere batteripakken

- Fjern alle personlige eiendeler slik som ringer, armbånd, smykker og klokker når du kobler batteripakken fra roboten.

- Et batteri kan skape en kortslutningsstrøm som er høy nok til å sveise en ring (eller lignende gjenstand) til metall, og kan forårsake alvorlig brannskade.
- Bruk beskyttelsesbriller, hansker og verneklær når du fjerner batteripakken.
- Ikke ta på ledningene, og unngå kontakt mellom dem og metallgjenstander, som kan forårsake gnister og/eller at batteriet kortsluttes.
- Ikke la røyk, gnister eller flammer komme i nærheten av batteriet eller roboten.
- Ikke eksponer batteriet for flammer eller høy varme, dette kan skape en eksplosjon.

FORSIKTIG!

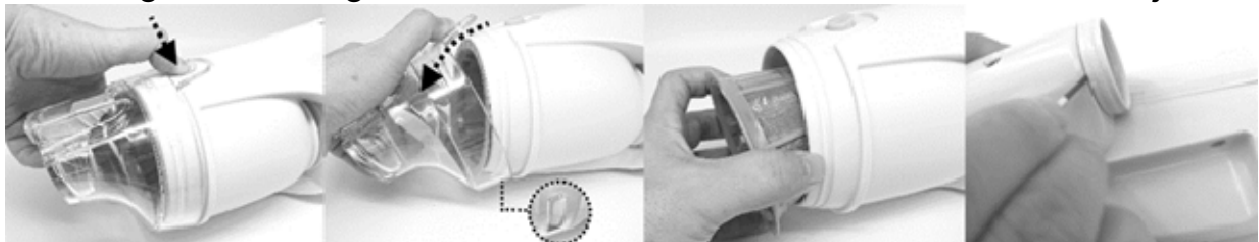
Hvis det oppstår en batterilekkasje, må du unngå kontakt med lekkasjevæsken og legge det skadede batteriet i en plastpose.

- Hvis lekkasjevæsken kommer i kontakt med hud eller klær, vask umiddelbart med mye såpe og vann.
- Hvis lekkasjevæsken kommer i kontakt med øynene, ikke gni deg i øynene. Skyll øynene umiddelbart med kaldt rennende vann i hvertfall 15 minutter, og ikke gni dem. Ta kontakt med lege så snart som mulig.

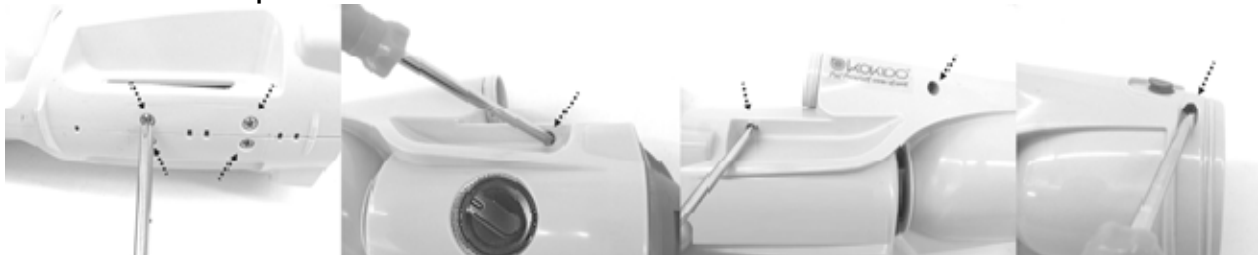
Hvordan fjerne batteripakken, kun for batteriavhending (må gjøres av en autorisert tekniker)

Anbefalte verktøy (ikke inkludert): Philips skrutrekker og liten sporskrutrekker

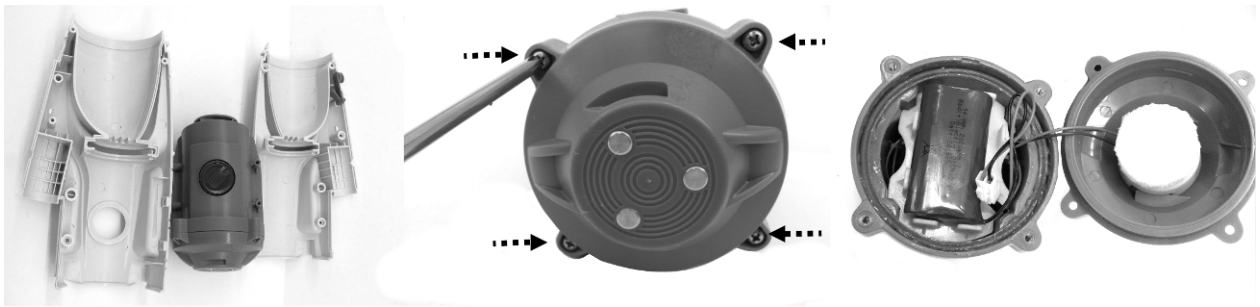
1. Press på låseknappen og fjern den blanke beholderen fra hoveddelen. Bruk en liten skrutrekker for å fjerne ringene fra hoveddelen. Hvis det er vanskelig å løsne ringen med skrutrekker, bruk en sideavbiter for å skjære.



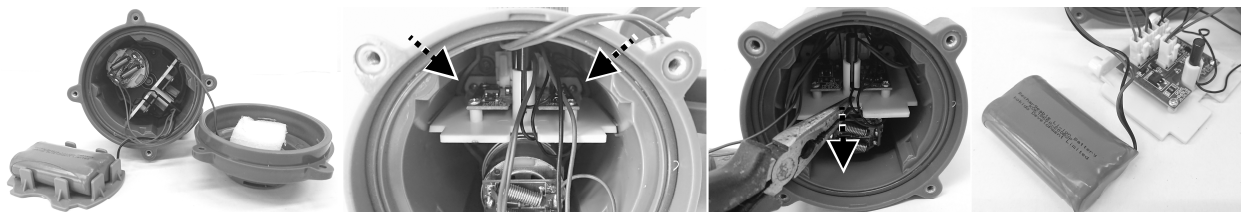
2. Bruk en Philips skrutrekker for å løsne alle skruene fra hovedenheten.



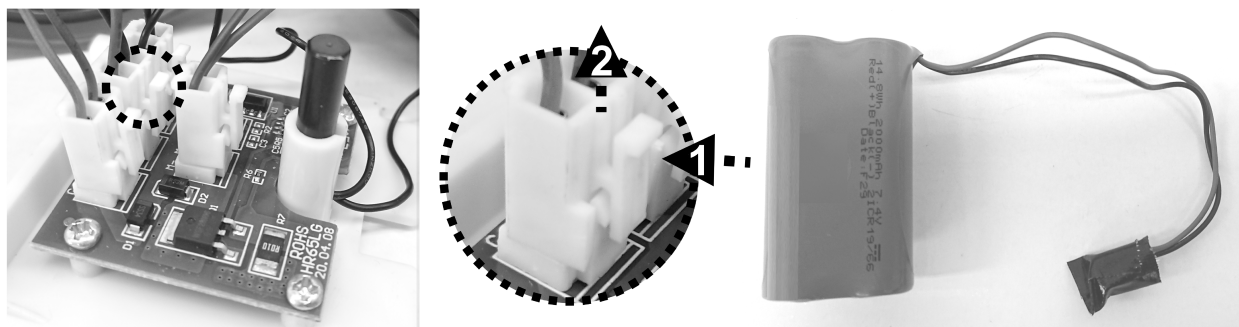
3. Separer hoveddelen i to halvdeler for å få tilgang til hovedkammeret. Bruk en Philips skrutrekker til å fjerne endedekselet, og få tilgang til batteripakken



4. Bruk en Philips skrutrekker for å løsne skruene på hjørnet av støtteplaten som vist. Bruk en klemme for å ta tak i platen, og dra den ut for å avdekke ledningskoblingene på kretskortet.





5. Finn midtkoblingen som angitt, press klemmen på koblingen og dra den ut. **MERKNAD:** Pakk koblingen inn i isolasjonsteip øyeblikkelig, for å unngå en eventuell kortslutning forårsaket av kontakt med begge ledningsterminalene.



FEILSØKING

Problem	Mulig årsak	Løsning
Bassengstøvsugeren fanger ikke opp avfall	Batteriet er tomt	Lad batteriet igjen.
	Løpehjulet sitter fast	Slå av bassengstøvsugeren og se på mellomrommet i midten av bassengstøvsugeren for å se om løpehjulet sitter fast på grunn av stort avfall. Bruk et lite verktøy for å forsiktig fjerne avfallet om mulig. Kontakt forhandleren for ytterligere instruksjoner om nødvendig. ADVARSEL! Sørg for at bassengstøvsugeren er slått av når det utføres service på enheten.
	Løpehjulet er ødelagt	Kontakt forhandleren for utskiftning av løpehjulet.
Avfall slipper ut fra filteret	Filterburet et er fullt	Rengjør filterburet et.
	Klaffen på sugedysen er ødelagt	Klaffen til sugedysen fungerer som en dør for å forhindre at avfall slipper ut fra filteret. Kontakt forhandleren for reservedel og instruksjoner.
	Filterburet et er skadet.	Erstatt med et nytt filterburet .
Kobling for teleskopstang kan ikke sikres ved montering	Dreneringsventilen faller av.	Uten dreneringsventilen, kan bassengstøvsugeren fange avfall gjennom denne åpningen. Kontakt forhandleren for å bytte ut ventilen.
	Stangkoblingens sidepinne er ødelagt	Erstatt med en ny stangkobling.
Bassengstøvsugeren er aktivert selv om bryteren indikerer at den er slått av.	Magnetiske objekter i nærheten har slått på motoren ved et uhell.	Flytt det magnetiske objektet eller støvsugeren fra hverandre.
Bassengstøvsugeren kan ikke lades / lades opp på nytt	Batteriet er skadet	Kontakt forhandleren for å bytte ut batteriet. ADVARSEL! IKKE åpne bassengstøvsugeren og bytt ut batteriet selv. Det kan forårsake alvorlige eller dødelige skader, og garantien vil oppheves som en følge av dette.
	Ladeplatene på ladesokkelen og bassengstøvsugeren er ikke ordentlig i kontakt i hverandre.	Sørg for at ladeplatene er fullstendig montert på bassengstøvsugeren, og at kontaktplatene er i kontakt med hverandre
	Den eksterne adapteren er skadet	Kontakt forhandleren for å bytte den ut. ADVARSEL! Hvis du bruker feil ekstern adapter, kan det skade bassengstøvsugeren/batteriet og oppheve garantien.
Driftstiden er kortere enn forventet	Batteri er ikke fullstendig ladet	Lad bassengstøvsugeren i minst 6 timer. MERK: Hvis du oppdager flekker på ladekontaktplatene, fjern dem med en bomullsdott med sitronsaft eller eddik

Miljøprogrammer, europeisk WEEE-direktiv

	Overhold EUs forskrifter og bidra til å beskytte miljøet. Returner elektrisk utstyr som ikke fungerer til et kommunalt anlegg som resirkulerer elektrisk og elektronisk utstyr. Ikke kast dem sammen med restavfall. For enheter med uttagbare batterier, fjern batteriene før produktet avhendes.
	© 2021 BWT Holding GmbH. 21010025 Med enerett. Ingen deler av denne publikasjonen kan reproduseres eller overføres i noen form, elektronisk, mekanisk, ved fotokopiering eller opptak uten skriftlig forhåndsstillatelse fra BWT Holding GmbH. (V1)

Hvis du trenger en elektronisk kopi av denne bruksanvisningen, kontakt kundeservice på e-post.

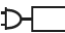
OPPBEVAR DISSE INSTRUKSJONENE

INSTRUÇÕES E AVISOS DE SEGURANÇA

As informações existentes neste Manual de Instruções ajudá-lo-ão a operar o item de forma segura, proteja-se a si e a outros de perigos, e evitar danos no dispositivo e outros bens..

GUARDE ESTAS INSTRUÇÕES

AVISO!

- Isto não é um BRINQUEDO. As crianças devem ser mantidas afastadas deste aspirador de piscina e dos seus acessórios.
- Nunca deixe crianças operar este aspirador de piscinas.
- Este dispositivo não serve para ser utilizado por pessoas com capacidades físicas, sensoriais ou mentais reduzidas, ou falta de experiência e conhecimento, a menos que estejam sob supervisão ou a receber instruções relativamente à utilização segura do dispositivo e entendem os perigos envolvidos por parte de uma pessoa responsável pela sua segurança.
- As crianças não devem brincar com este produto.
- A limpeza e a manutenção do aspirador de piscinas não deve ser realizada por crianças
- Certifique-se de que o aspirador de piscinas está totalmente submerso na piscina antes de iniciar o manuseamento. O nível de água mínimo necessário para operar o aspirador de piscinas deverá estar acima do interruptor LIGAR/DESLIGAR do aspirador de piscinas quando seguro numa posição vertical. Operar o aspirador de piscinas quando o mesmo não está submerso corretamente poderá danificar a unidade e anular a garantia.
- A profundidade operativa máxima em água é de 3 metros (9,8ft).
- Temperatura máxima da água: 5°C (41°F) – 35°C (95°F).
-  Unidade de alimentação extraível (adaptador externo).
- O aspirador de piscinas só deve ser recarregado com o adaptador externo e a base de carregamento fornecidos com este produto.
- Para carregar a bateria, utilize apenas a unidade de alimentação extraível (número de modelo de adaptador externo: DSS12D-0841000-B / DSS12D-0841000-C / DSS12D-0841000-D/LX084100U) fornecido com este aspirador de piscinas para carregar a bateria.
- Conecte o adaptador externo a uma fonte de alimentação através de um dispositivo de corrente residencial (RCD)/um interruptor de circuito de falha de terra (GFCI). Se houver dúvidas, consulte um electricista qualificado.
- Não utilize este aspirador de piscina se forem detetados danos.
- Substitua as peças danificadas por umas certificadas pelo distribuidor ou fabricante.
- Desligue a alimentação, desconecte o adaptador externo da fonte de alimentação, e desligue o adaptador externo da base de carregamento antes de retirar o aspirador de piscinas da base de carregamento.

- Desconecte o aspirador de piscinas da alimentação principal e certifique-se de que o aspirador de piscinas está DESLIGADO antes de realizar a manutenção regular como, por exemplo, limpeza do filtro e dos pinos de carregamento.
- Não tente substituir a bateria de Lítio-íão recarregável.
- NÃO manuseie o aspirador de piscinas, o adaptador externo e a base de carregamento enquanto está a carregar com as mãos molhadas ou sem sapatos.
- Não deverá operar este aspirador de piscina quando pessoas/animais estiverem na água.
- NÃO utilize este aspirador de piscinas sem um caixa do filtro intacto, uma vez que a sua garantia será anulada.
- Perigo de entalamento de sucção: Este aspirador de piscinas gera sucção. Não deixe que cabelo, partes do corpo ou quaisquer outras partes da sua roupa entrem em contacto com o orifício de sucção do aspirador da piscina durante o seu funcionamento.
- Nunca insira partes corporais, roupa ou outros objetos nas aberturas e partes em movimento do aspirador de piscina.
- NÃO utilize este aspirador de piscinas para apanhar substâncias tóxicas, inflamáveis e líquidos combustíveis (ou seja, gasolina) na presença de fumos explosivos ou inflamáveis.
- Sob circunstância alguma deverá tentar desmontar o aspirador de piscinas e substituir o propulsor, o motor ou a bateria.
- Nunca insira os dedos ou qualquer objeto para tocar no propulsor.
- A bateria embutida deve ser removida por um técnico qualificado antes de ser eliminada.
- O aspirador de piscinas contém uma bateria que só pode ser removida por pessoas aptas.
- O aspirador de piscinas deverá estar desconectado da alimentação principal aquando da remoção da bateria
- Para detalhes relativamente à eliminação/reciclagem da bateria, consulte a secção “ELIMINAÇÃO DA BATERIA” neste manual e contacte as autoridades locais para mais informações.
- A bateria deve ser eliminada de forma segura de acordo com os regulamentos e decretos locais.

- Adaptador externo e base de carregamento:
 - Nunca utilize o adaptador externo e a base de carregamento para o que for que não seja carregar a bateria do aspirador de piscinas que é fornecido no mesmo pack.
 - O adaptador externo e a base de carregamento não devem ser utilizados no exterior, nem devem ser expostos a chuva, humidade e a quaisquer líquidos ou a calor.
 - O transformador (ou adaptador externo) dever-se-á localizar fora da zona 1
 - Mantenha o adaptador externo e a base de carregamento fora do alcance das crianças.

- Nunca utilize o adaptador externo e a base de carregamento se forem detetados quaisquer danos.
- NÃO manuseie o adaptador externo e a base de carregamento com as mãos molhadas.
- NÃO manuseie o aspirador de piscinas, o adaptador externo e a base de carregamento durante o carregamento, com as mãos molhadas e sem sapatos.
- Mantenha o adaptador externo desconectado da alimentação quando não estiver a ser utilizado.
- Nunca tente abrir o adaptador externo e a base de carregamento.
- Se o cabo de alimentação do adaptador externo estiver danificado, o adaptador externo deve ser substituído pelo fabricante ou agente representante para evitar potenciais perigos deste tipo.
- Certifique-se de que o aspirador de piscinas e a base de carregamento estão totalmente secos antes de carregar.

CUIDADO!

- Este aspirador de piscina foi criado apenas para utilização subaquática; não é um aspirador multifunções. NÃO tente utilizá-lo para limpar qualquer coisa que não a sua piscina/spa.
- Utilize apenas acessórios originais entregues com o produto.
- NÃO utilize este aspirador após choque de piscina. Recomenda-se que deixe a piscina circular durante, pelo menos, 24 a 48 horas.
- Se utilizar o aspirador de piscinas numa piscina de água salgada, certifique-se de que todo o sal está dissolvido antes de deslocar o aspirador de piscinas.
- NÃO utilize este aspirador de piscinas com outro limpador automático simultaneamente na piscina/spa.
- Evite apanhar objetos rígidos e afiados com este produto podem danificar o aspirador de piscinas e o filtro.
- Tenha cuidado aquando da limpeza dos degraus da piscina
- Para evitar danos no adaptador externo e na base de carregamento, não tente transportar o aspirador de piscinas pelo cabo do adaptador externo / base de carregamento ou puxe o cabo para desconectá-lo da fonte de alimentação e da base de carregamento.
- Carregue o aspirador de piscinas no interior numa área limpa e seca com boa ventilação e uma temperatura ambiente entre 5°C(41°F) e 35°C(95°F).
- NÃO deixe o aspirador de piscina a carregar durante mais de 10 horas.
- Se o aspirador de piscinas não for utilizado durante o período longo, retire-o da base de carregamento e utilize um pano húmido para limpar e secar o aspirador de piscinas e acessórios. Certifique-se de que carrega o aspirador de piscinas para cerca de 30% a 50% da capacidade de bateria antes de ser guardado. Guarde-o numa área bem ventilada afastado da luz direta do sol, do calor, de fontes de ignição, de químicos da piscina e de crianças. Nunca deixe o aspirador de piscinas ligado em armazenamento a longo prazo. Carregue o aspirador de piscina a cada três meses.

Os avisos e cuidados acima não têm como objetivo incorporar todas as possíveis instâncias de riscos e/ou lesões graves. Os proprietários da piscina/spa deverão ter sempre um cuidado extra e senso comum aquando da utilização do produto.

Observação: Os esquemas/fotos do produto/das partes neste manual são apenas para demonstração. Os esquemas/fotos do produto/das partes poderão variar com o modelo adquirido. Accessories / parts shown in this manual & parts diagram are not necessarily included with every model. Accessories / parts shown in this manual & parts diagram are not necessarily included with every model.

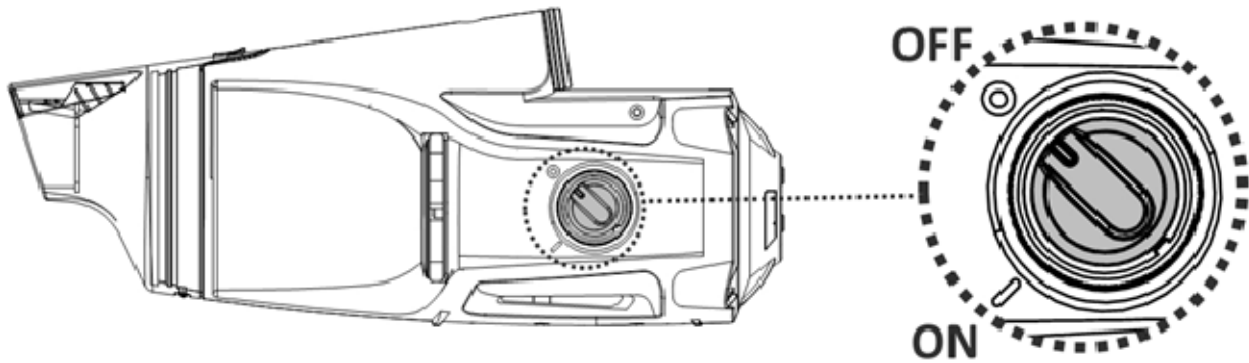
INÍCIO

Carregar a bateria

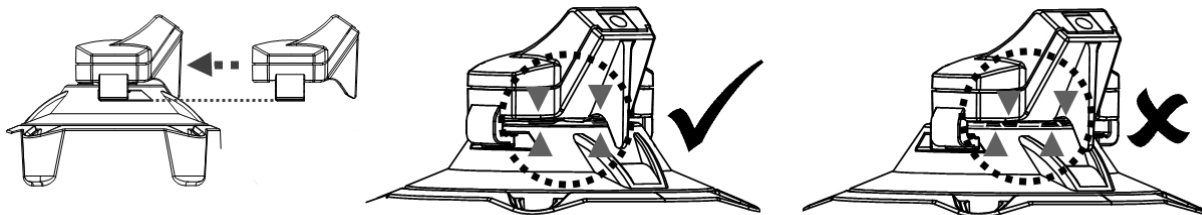
NOTA IMPORTANTE: Carregue na totalidade o aspirador de piscinas (cerca de 6 hrs) antes de o utilizar pela primeira vez.

AVISO!

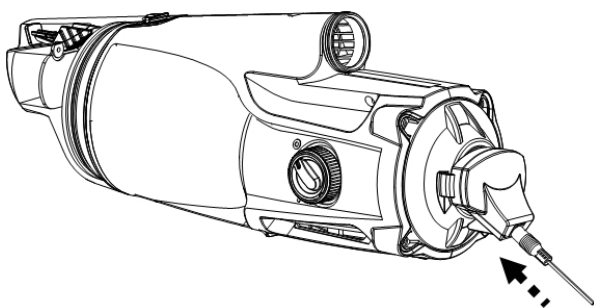
- Utilize apenas o adaptador externo original e a base de carregamento fornecidos.
 - Certifique-se de que o aspirador de piscinas e a porta de carregamento estão limpos e secos antes da configuração e do carregamento. (DICAS: utilize um cotonete para secar a porta de carregamento e os pinos de carregamento)
 - O carregamento deverá ser realizado num local fechado, numa área bem-ventilada afastada da luz solar, de crianças, de calor, de fontes de ignição e com uma temperatura ambiente entre 5°C (41°F) e 35°C (95°F).
 - Nunca utilize o adaptador externo e a base de carregamento se forem detetados quaisquer danos.
 - Os pinos de carregamento são à prova de água. No entanto, resquícios de água na porta e em volta dos pinos poderão resultar numa ocorrência natural de manchas (um subproduto da reação química entre a água e as correntes elétricas). Caso contrário, as manchas podem ser removidas esfregando ligeiramente com um cotonete embebido em sumo de limão ou vinagre.
 - Certifique-se de que o aspirador de piscinas está desligado antes de carregar.
1. Coloque a unidade numa superfície plana. Certifique-se de que o aspirador de piscinas está desligado colocando o interruptor de ligar/desligar na posição OFF antes do carregamento.



2. Alinhe e deslize o gancho da base de carregamento para o entalhe lateral no fundo do corpo principal até que pare. Certifique-se de que as placas de contacto estão bem em contacto.



3. Ligue a tomada do adaptador externo à porta de carregamento na extremidade da base de carregamento.



4. Ligue o adaptador externo à fonte de alimentação. Assim que o aspirador de piscinas começar a carregar, a luz indicadora no adaptador externo ficará vermelha. Normalmente, demora cerca de 4-6 horas a alcançar a carga total. A luz indicadora ficará verde assim que o aspirador de piscinas estiver totalmente carregado.

NOTA: se o motor estiver a gerar ruído, desligue a unidade posicionando o interruptor de ligar/desligar na posição OFF.

- Desconecte imediatamente o adaptador externo da fonte de alimentação se detetar qualquer uma das seguintes situações:
 - Odor agressivo ou anormal
 - Calor excessivo

- Deformação, rachas, fugas
- Fumo

5. Quando o carregamento estiver concluído, desconecte o adaptador externo da fonte de alimentação e retire a base de carregamento da unidade e do adaptador externo.

Normalmente, o aspirador de piscinas pode operar até 30 minutos com carga total (carregado durante 4-6 horas)

Nota: Limpe a caixa do filtro com regularidade. Resíduos excessivos dentro da caixa do filtro aumentam o peso para o funcionamento do motor e encurtam a duração da operação.

FACTO: A bateria de ião-lítio é classificada como item consumível. Tem uma vida limitada e irá gradualmente perder a sua capacidade de manter uma carga. Assim, o tempo de funcionamento do aspirador de piscinas irá reduzir, gradualmente, devido ao carregamento e descarga repetidos na operação.

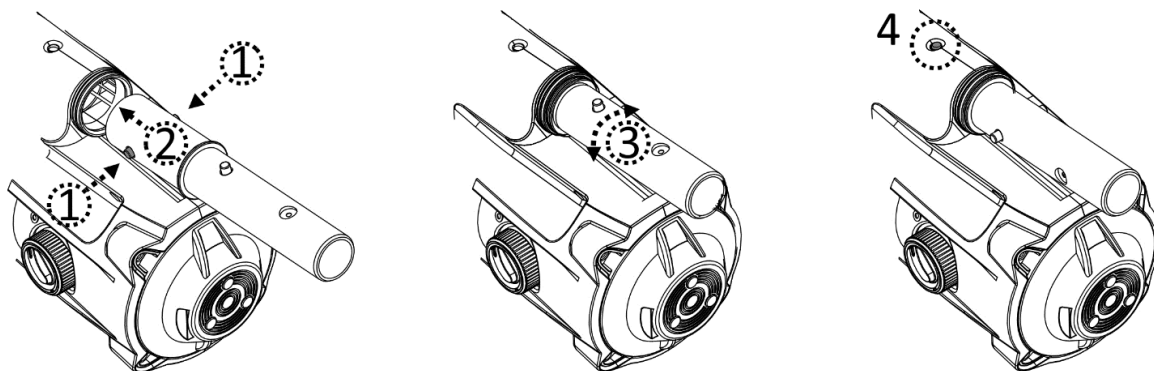
Assim que a vida útil da bateria alcança o seu fim, consulte a secção “ELIMINAÇÃO DA BATERIA” para instruções relativamente a eliminação da bateria.

NOTA: Deixe o aspirador de piscina descansar durante 30 a 40 minutos antes de o carregar novamente.

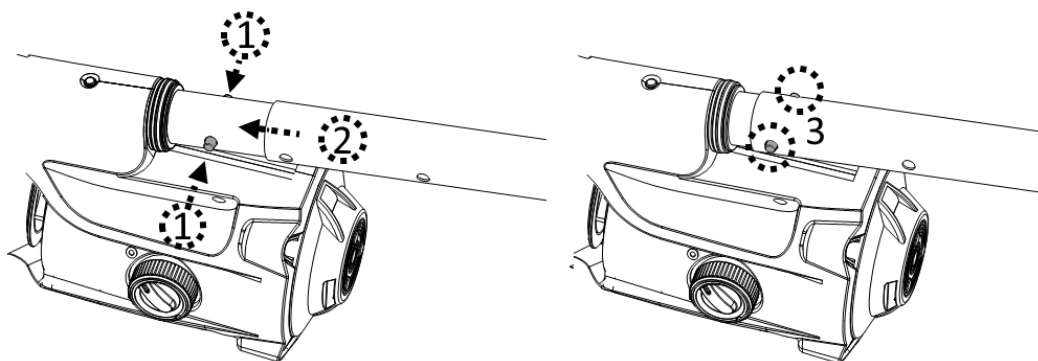
Configuração antes da utilização

Unidade do mastro telescópico (não fornecida) (apenas para UE e EUA)

Prima os pinos laterais do conector do mastro telescópico e insira-os no corpo principal. Rode o conector para qualquer direção até que o pino fique seguro no orifício, conforme indicado no diagrama.

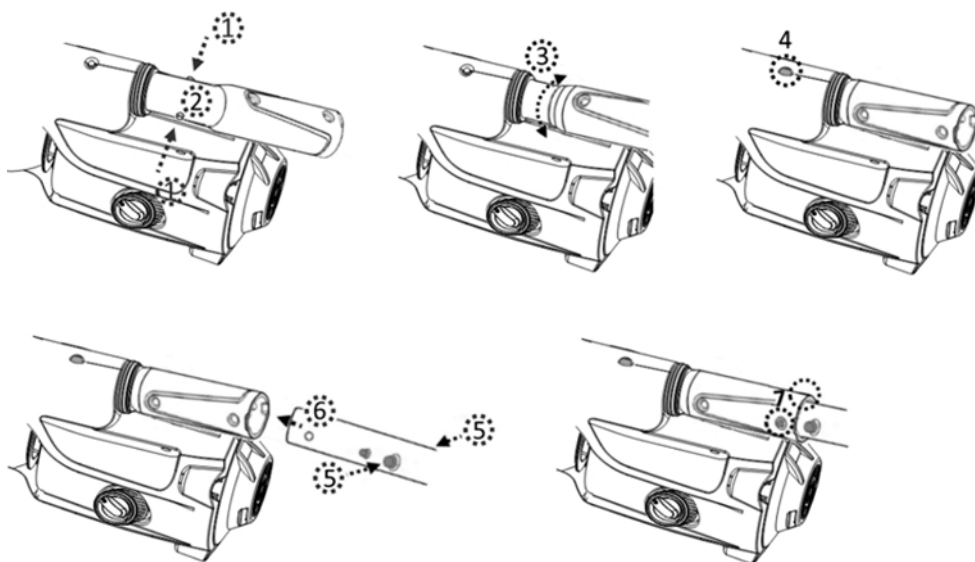


Deslize o mastro telescópico para o conector de mastro. Prima os pinos laterais do conector e deslize o mastro telescópico para baixo até que os pinos do conector fiquem seguros dentro dos orifícios do mastro.



Para libertar o mastro telescópico, prima os pinos laterais simultaneamente e puxe o mastro para fora.

Unidade de mastro telescópico específica (não incluída) (apenas para Austrália e Nova Zelândia)
 Insira a extremidade (com dois pinos laterais) do conector do mastro telescópico específico no aspirador de piscinas conforme indicado até que os pinos laterais fiquem seguros no orifício de bloqueio do manípulo no corpo traseiro. Instale o mastro telescópico específico (com clipe do braço interno) no conector do mastro conforme indicado:



Preparação da Piscina

- Se existirem pedras, raízes ou corrosão de metal em contacto com a face interior do revestimento, elimine-os antes de utilizar o aspirador de piscinas. Se necessário, procure assistência de um profissional qualificado.
- Se o revestimento estiver quebradiço, danificado ou enrugado, contacte um profissional qualificado para realizar as reparações necessárias, ou substitua o revestimento antes de utilizar o aspirador de piscinas.
- Se utilizar uma piscina de água salgada, certifique-se de que todo o sal está dissolvido antes de colocar o aspirador de piscinas na água.

OPERAÇÃO

AVISO!

- Certifique-se de que o aspirador de piscinas está desligado
- Não utilize O aspirador de piscina se forem detetados danos.
- Podem ocorrer manchas de óleo devido a possíveis fugas de lubrificandos aplicados no O-ring.
- Não opere este aspirador de piscinas se existirem pessoas/animais de estimação presentes na água.
- Certifique-se de que o aspirador de piscinas está totalmente submerso na piscina antes de iniciar o manuseamento. O nível de água mínimo necessário para operar o aspirador de piscinas deverá estar acima do interruptor LIGAR/DESLIGAR do aspirador de piscinas quando seguro numa posição vertical. Operar o aspirador de piscinas quando o mesmo não está submerso corretamente poderá danificar a unidade e anular a garantia.
- NÃO utilize o aspirador de piscinas sem um caixa do filtro intacto colocado. Utilizar o aspirador de piscinas sem um caixa do filtro intacto colocado irá ANULAR a sua garantia.
- NÃO deixe o aspirador de piscinas na água quando o mesmo não estiver a ser utilizado.
- Certifique-se de que o cabo de carregamento está retirado e de que a porta de carregamento está ligada com a tampa protetora antes de o aspirador de piscinas ser deslocado.

- 1) Coloque o seu aspirador de piscina para a lateral da sua piscina/do seu spa. Submerja o aspirador de piscinas em água e coloque o botão LIGAR/DESLIGAR para a posição ON para iniciar a operação.

CUIDADO! Certifique-se de que o aspirador de piscinas está sempre virado para baixo quando é colocado na piscina. Caso contrário, poderá dobrar o conector do mastro e danificá-lo durante o processo.

- 2) Para retirar o aspirador de piscinas da piscina/spa, levante o aspirador de piscinas enquanto aponta para baixo de modo a permitir que a água descarregue da válvula de saída. A água vai sair através do manípulo/conector de mastro e dos orifícios de drenagem dentro da câmara do manípulo no corpo traseiro.

CUIDADO! Certifique-se de que o aspirador de piscinas está sempre virado para baixo quando é removido da piscina. Caso contrário, o conector do mastro poderá ficar dobrado e danificar o aspirador de piscinas no processo.

- 3) Lave o aspirador de piscina com água fresca após cada utilização. NÃO utilize qualquer detergente

ESVAZIAR O FILTRO

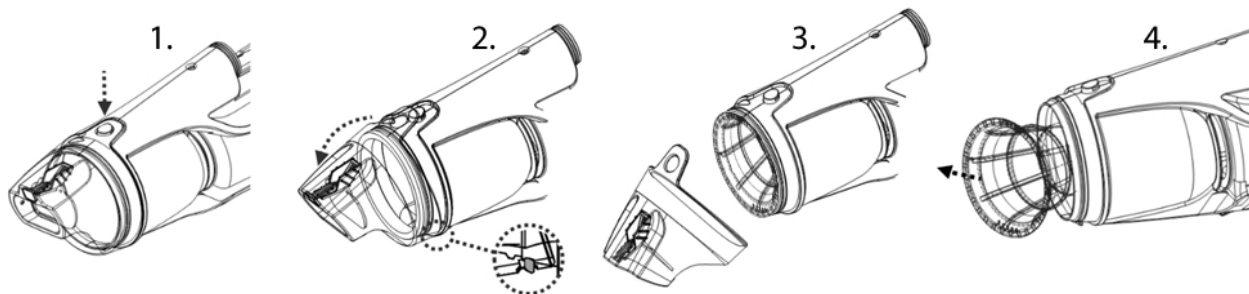
AVISO! Utilize o aspirador de piscinas sem um caixa do filtro colocado irá **ANULAR** a sua garantia.

De modo a maximizar a eficiência de limpeza, certifique-se de que limpa o caixa do filtro antes e após cada utilização.

CUIDADO! Se o aspirador de piscinas estiver a carregar, desconecte o adaptador externo da fonte de alimentação e retire o aspirador de piscinas da base de carregamento. Certifique-se de que o aspirador de piscinas está OFF.

• Limpeza do caixa do filtro

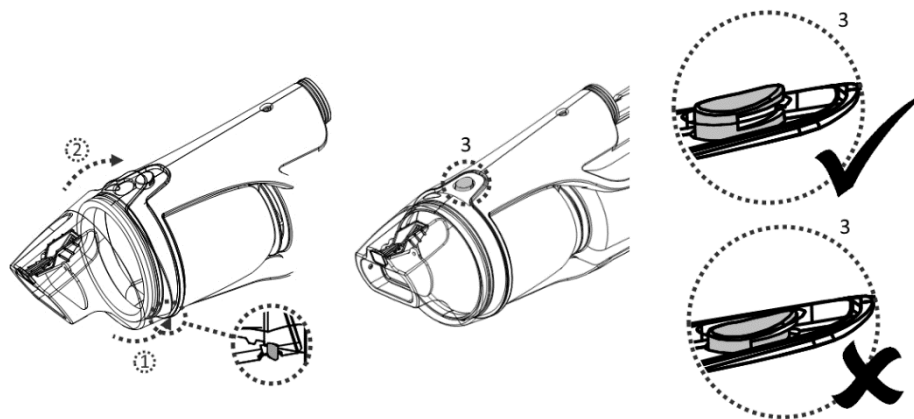
1. Coloque o aspirador de piscina numa superfície estável.
2. Prima o botão de bloqueio até que o orifício de bloqueio no recipiente limpo seja libertado. Deslize o recipiente até que o entalhe no fundo da abertura do recipiente seja libertado do gancho no fundo do corpo principal. Remova a caixa do filtro do corpo principal.



CUIDADO! Substitua o caixa do filtro danificado imediatamente antes da próxima operação.

3. Limpe os resíduos e lave o caixa do filtro com água. Se for necessária escovagem, utilize apenas uma escova suave para limpar o caixa do filtro de forma cuidadosa.
4. Reposicione a caixa do filtro dentro do corpo principal. Certifique-se de que a caixa do filtro está totalmente inserida dentro do corpo principal.

Para reinstalar o recipiente, alinhe primeiro o entalhe do recipiente com o gancho no corpo principal e depois prima o recipiente para o corpo principal. Certifique-se de que o orifício de bloqueio no recipiente limpo está seguro com o botão de bloqueio



MANUTENÇÃO E ARMAZENAMENTO

NOTA:

1. Certifique-se de que limpa e seca as áreas em volta da porta de carregamento e os pinos de carregamento após cada utilização para evitar a formação de manchas (subproduto de uma reação química natural entre corrente elétrica e água). Caso contrário, as manchas podem ser removidas esfregando ligeiramente com um cotonete embebido em sumo de limão ou vinagre.
2. A bateria descarrega sozinha durante o armazenamento. Certifique-se de que carrega o aspirador de piscinas para cerca de 30% a 50% da capacidade de bateria antes de ser guardado.
3. Deverá recarregar a bateria pelo menos uma vez a cada três meses quando a mesma não for utilizada.
 - Desligue o adaptador externo da tomada e depois desligue a tomada do adaptador da base de carregamento.
 - Retire os acessórios do aspirador de piscinas. Se necessário, lave o aspirador de piscinas e os acessórios com água fresca. NÃO utilize detergente.
 - Certifique-se de que drena a água da unidade, do manípulo e conector do mastro.
 - Utilize um pano húmido para limpar e secar o aspirador de piscina e seus acessórios.
 - Guarde-os numa área bem ventilada afastados da luz do sol, de crianças, de calor, de fontes de ignição e de químicos de piscinas. Ambient temperature for storage should be 10°C – 25°C (50°F – 77°F). NOTA: Uma temperatura superior poderá reduzir a vida útil da bateria durante o armazenamento.

AVISO!

- Nunca tente desmontar o aspirador de piscinas.
- Sob circunstância alguma deverá tentar desmontar o aspirador de piscinas e substituir o propulsor, motor e a bateria.

CUIDADO!

- Calor excessivo pode danificar a bateria e reduzir a vida útil do seu robô.
- Consulte o seu revendedor relativamente à substituição da bateria, se acontecer o seguinte:
 - A bateria não carrega na totalidade.
 - O tempo de funcionamento da bateria está muito reduzido. Observe e registe os tempos de funcionamento das primeiras operações (totalmente carregada). Utilize estes tempos de funcionamento como ponto de referência para comparação com tempos de funcionamento no futuro.
- A bateria deverá ser removida do robô antes de ser colocada no lixo.
- O robô deve ser desconectado da alimentação elétrica quando a bateria está a ser removida.
- A bateria deve ser eliminada de forma segura de acordo com os regulamentos e decretos locais.

NOTA: A manutenção incorreta poderá reduzir a vida útil da bateria e afetar a sua capacidade.

ELIMINAÇÃO DA BATERIA (A ser realizada por um técnico autorizado)

O seu robô está equipado com um pack de bateria de ião-lítio recarregável e sem manutenção que deverá ser eliminado de forma adequada. A reciclagem é necessária; contacte a sua autoridade local para mais informações.

AVISO! Nunca tente desmontar a bateria

- Remova todos os itens pessoais como, por exemplo, anéis, pulseiras, colares e relógios quando o pack da bateria está desligado do robô.
- Uma bateria pode produzir uma corrente de curto-circuito alta o suficiente para soltar um anel (ou item similar) a metal, causando uma queimadura grave no processo.
- Utilize proteção ocular completa, luvas e vestuário de proteção quando a bateria estiver a ser removida.
- Evite tocar nos cabos juntos e evitar o contacto entre eles e quaisquer itens de metal, que
- Poderão causar faíscas e/ou curto-circuito da bateria.
- Nunca fume ou permita uma faísca ou chama na proximidade da bateria ou do robô.
- Não exponha a bateria a fogo ou a calor intenso uma vez que isto poderá resultar numa explosão.

CUIDADO!

Se ocorrer uma fuga da bateria, evite qualquer contacto com os líquidos em fuga e coloque a bateria danificada num saco de plástico.

- Se os fluidos de fuga entrarem em contacto a pele e com a roupa, lave imediatamente com muita água e sabão.
- Se líquidos em fuga entrarem em contacto com a pele e com a roupa, lave imediatamente com muito sabão e água. Procure ajuda médica assim que for possível.

Como remover a bateria apenas para eliminação (A ser realizado por um técnico autorizado)

Ferramentas recomendadas (não incluídas): Chave de fendas Philips e pequena chave de fendas de ranhura

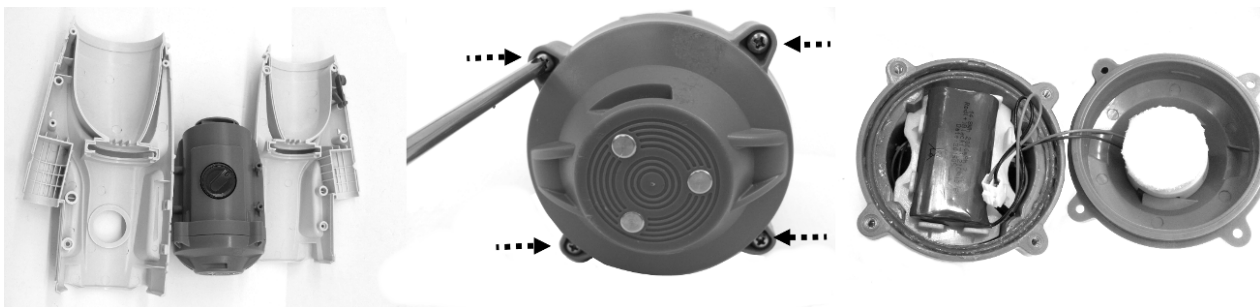
1. Prima o botão de bloqueio e retire o recipiente limpo do corpo. Utilize uma pequena chave de fendas para retirar o anel do corpo. É difícil retirar o anel com a chave de fendas, utilize um alicate de corte para cortar.



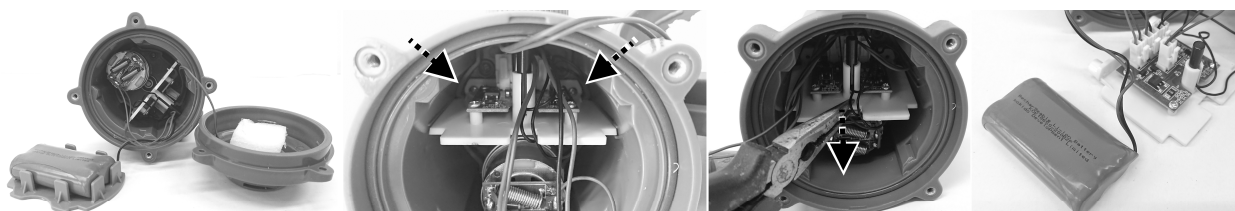
2. Utilize uma chave de fendas Philips para desaparafusar todos os parafusos no corpo principal.



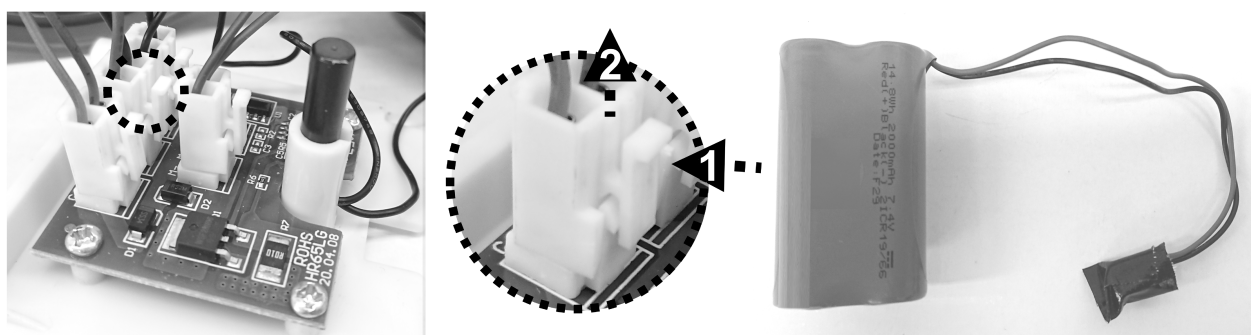
3. Separe o corpo em duas metades para aceder à câmara principal. Utilize uma chave de fendas Philips para remover a tampa da extremidade e aceder à bateria.



4. Utilize uma chave de fendas Philips para desaparafusar o parafuso no canto da placa de apoio conforme indicado. Utilize uma abraçadeira para segurar a placa e a puxar para fora para expor os conectores de cabo no PCB.





5. Localize o conector central conforme indicado, prima o clipe no conector para puxar para fora. **NOTA:** Enrole o conector imediatamente com fita isoladora de modo a evitar curto-circuito causado pelo contacto de ambos os terminais do cabo.



RESOLUÇÃO DE PROBLEMAS

Problema	Causa Possível	Solução
O aspirador de piscinas não captura resíduos	A bateria está a terminar	Carregue a bateria novamente.
	O propulsor está encravado	Desligue o aspirador de piscinas e verifique, visualmente, a falha no meio do aspirador de piscinas para ver se o propulsor está encravado por resíduos grandes. Se possível, utilize uma ferramenta pequena para remover os resíduos cuidadosamente. Se necessário, contacte o seu revendedor para instruções. AVISO! Certifique-se de que o aspirador de piscina está desligado quando a unidade estiver a ser verificada.
	O propulsor está danificado	Contacte o seu revendedor para substituir a bomba.
Resíduos escapam do filtro	A caixa do filtro está cheia	Limpe a caixa do filtro
	A aba de bocal de sucção está danificada	A aba do bocal de sucção funciona como uma porta para evitar que resíduos escapem do filtro. Contacte o revendedor para substituir a peça e para instruções.
	A caixa do filtro está danificada.	Substitua-a por uma nova.
O conector do mastro telescópico não se segura na unidade	A válvula de saída, sai.	Sem a válvula de saída, o aspirador de piscinas poderá capturar resíduos através desta abertura. Contacte o revendedor para substituir a válvula.
	Pino lateral no conector do mastro está danificado	Substitua-o por um novo conector de cabo.
O aspirador de piscinas é ativado mesmo quando o interruptor diz que está desligado.	A presença de objetos magnéticos nas proximidades ligou, inadvertidamente o motor.	Afaste os objetos magnéticos ou o aspirador uns dos outros.
Aspirador de piscinas não carrega/recarrega	A bateria está danificada	Contacte o revendedor para substituição da bateria. AVISO! NÃO abra o aspirador de piscinas e substitua a bateria. Isto poderá resultar em lesões graves ou fatais e a garantia será anulada.
	As placas de carregamento na base de carregamento e o aspirador de piscinas não têm contacto adequado.	Certifique-se de que a base de carregamento está montada no aspirador de piscinas totalmente e que as placas de contacto estão com contacto adequado.
	Adaptador externo danificado	Contacte o revendedor para substituir. AVISO! Utilizar um adaptador externo errado irá resultar em danos no aspirador de piscina/na bateria e anular a garantia.
Tempo de operação mais curto do que o esperado	A bateria não está totalmente carregada	Carregue o aspirador de piscinas durante, pelo menos, 6 horas: NOTA: se quaisquer manchas forem encontradas nas placas de contacto de carregamento, remova-as utilizando um cotonete embebido em sumo de limão ou vinagre.

Programas Ambientais, Diretiva Europeia WEEE

	Respeite os regulamentos da União Europeia e ajude a proteger o ambiente. Devolva equipamento elétrico avariado a uma unidade indicada pelo seu município que recicle adequadamente equipamento elétrico e eletrónico. Não elimine o equipamento em caixotes de lixo comuns. Para itens que contenham baterias removíveis, remova as baterias antes de eliminar o produto.
	© 2021 BWT Holding GmbH. 21010025 Todos os direitos reservados. Nenhuma parte deste documento poderá ser reproduzida ou transmitida sob qualquer forma ou através de quaisquer meios, eletrónicos, mecânicos, fotocópia, gravação ou outros, sem o prévio consentimento por escrito da BWT Holding GmbH. (V1)

Se uma cópia deste manual de instruções for necessária, contacte o nosso serviço de atendimento ao cliente via e-mail.

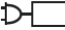
GUARDE ESTAR INSTRUÇÕES

ПРЕДУПРЕЖДЕНИЯ И ИНСТРУКЦИИ ПО БЕЗОПАСНОСТИ

Информация, содержащаяся в этой инструкции по эксплуатации, поможет вам безопасно управлять изделием, защитить себя и других от опасностей и предотвратить повреждение устройства и другого имущества.

СОХРАНИТЕ ЭТИ ИНСТРУКЦИИ

ПРЕДУПРЕЖДЕНИЕ!

- Этот аппарат - не ИГРУШКА. Не позволяйте детям приближаться к пылесосу для бассейна и его аксессуарам.
- Ни в коем случае не позволяйте детям управлять пылесосом.
- Это устройство не предназначено для использования людьми с ограниченными физическими, сенсорными и умственными способностями или с недостатком опыта и знаний, если они не находятся под наблюдением или не получают инструкций относительно безопасного использования устройства и разъяснений опасности от лица, ответственного за их безопасность.
- Дети не должны играть этим изделием.
- Дети не должны заниматься чисткой и обслуживанием пылесоса.
- Перед началом работы убедитесь, что пылесос для бассейна полностью погружен в бассейн. Минимальный уровень воды, необходимый для работы пылесоса в бассейне, должен быть выше переключателя ВКЛ. / ВЫКЛ. пылесоса в бассейне, когда он находится в вертикальном положении. Эксплуатация пылесоса при неправильном погружении может привести к повреждению устройства и аннулированию гарантии.
- Максимальная рабочая глубина в воде составляет 3 метра (9.8 футов).
- Рабочая температура воды: 5°C (41°F) – 35°C (95°F)
-  Съёмный блок питания (внешний адаптер).
- Пылесос для бассейна можно заряжать только с помощью внешнего адаптера и зарядной база, поставляемых с этим продуктом.
- Для зарядки аккумулятора используйте только съемный блок питания (номер модели внешнего адаптера: DSS12D-0841000-B / DSS12D-0841000-C / DSS12D-0841000-D / LX084100U), который поставляется с этим пылесосом для зарядки аккумулятора.
- Подключите внешний адаптер к источнику питания через устройство защитного отключения (УЗО) / выключатель короткого замыкания на землю (ВКЗЗ). В случае сомнений проконсультируйтесь с квалифицированным электриком.
- Не пользуйтесь этим пылесосом, если он имеет какие-либо повреждения.
- Замените поврежденные детали на новые, сертифицированные

- дистрибьютором или производителем.
- Прежде чем отсоединять пылесос от зарядной база выключите пылесос, отсоедините внешний адаптер от источника питания и отсоедините внешний адаптер от зарядной база.
 - Не пытайтесь самостоятельно заменить установленный ионно-литиевый аккумулятор.
 - НЕ трогайте пылесос, внешний адаптер и зарядную база во время зарядки мокрыми конечностями и без обуви.
 - Не следует пользоваться пылесосом, когда в воде находятся люди / домашние животные.
 - НЕ пользуйтесь этим пылесосом без исправного сетчатый фильтр , в противном случае ваша гарантия будет аннулирована.
 - Опасность захвата при всасывании: этот пылесос для бассейна создает всасывающий эффект. Следите за тем, чтобы волосы, части тела и свободные части вашей одежды не касались всасывающего отверстия пылесоса во время его работы.
 - Ни в коем случае не вставляйте части тела, одежду и другие предметы в отверстия и движущиеся части пылесоса.
 - НЕ используйте этот пылесос для сбора токсичных веществ, легковоспламеняющихся и горючих жидкостей (например, бензина) в присутствии взрывоопасных или легковоспламеняющихся паров.
 - Ни при каких обстоятельствах не следует разбирать пылесос для самостоятельной замены лопастного колеса, двигателя или аккумулятора.
 - Ни в коем случае не касайтесь лопастного колеса пальцами или какими-либо предметами.
 - Встроенный аккумулятор должен быть удален квалифицированным специалистом перед утилизацией.
 - Этот пылесос для бассейна содержит аккумулятор, который подлежит извлечению только квалифицированным специалистом.
 - Во время удаления аккумулятора пылесос должен быть отключен от электросети.
 - Подробную информацию о переработке / утилизации аккумулятора см. в разделе «УТИЛИЗАЦИЯ АККУМУЛЯТОРА» данного руководства. Также обратитесь в местные органы власти за дополнительной информацией.
 - Аккумулятор необходимо утилизировать безопасно в соответствии с местными нормами и правилами.
- Внешний адаптер и зарядная база:
- Ни в коем случае не используйте внешний адаптер и зарядную базу для других целей, кроме зарядки аккумулятора пылесоса, который поставляется в одной с ним упаковке.
 - Внешний адаптер и зарядная база не должны использоваться на открытом воздухе, а также не должны подвергаться воздействию дождя, влаги, любых жидкостей

- и тепла.
- Трансформатор (или внешний адаптер) должен располагаться вне зоны 1.
- Храните внешний адаптер и зарядную базу в недоступном для детей месте.
- Ни в коем случае не используйте внешний адаптер и зарядную базу при наличии каких-либо повреждений.
- ЗАПРЕЩАЕТСЯ прикасаться к внешнему адаптеру и зарядной базой мокрыми руками.
- ЗАПРЕЩАЕТСЯ прикасаться к пылесосу, внешнему адаптеру и зарядной базой во время зарядки мокрыми руками и босиком.
- Держите внешний адаптер отключенным от источника питания, когда он не используется.
- Никогда не пытайтесь вскрыть внешний адаптер и зарядную базу.
- Если шнур питания внешнего адаптера поврежден, в целях безопасности внешний адаптер должен быть заменен производителем или его агентом по обслуживанию.
- Перед зарядкой убедитесь, что пылесос и зарядная база полностью высохли.

ВНИМАНИЕ!

- Этот пылесос для бассейна предназначен только для использования под водой; это не универсальный пылесос. НЕ пытайтесь использовать его для чистки чего-либо, кроме вашего бассейна / спа.
- Используйте только оригинальные аксессуары, поставляемые с этим продуктом.
- ЗАПРЕЩАЕТСЯ использовать этот пылесос сразу после хлорирования бассейна. Рекомендуется сначала оставить бассейн с циркуляцией минимум на 24-48 часов.
- Если вы планируете использовать пылесос в бассейне с морской водой, убедитесь, что вся соль растворилась, прежде чем запускать пылесос.
- ЗАПРЕЩАЕТСЯ использовать этот пылесос одновременно с другим автоматическим устройством / очистителем в бассейне / спа.
- Перед началом чистки удалите твердые, острые предметы из бассейна вручную, чтобы не повредить пылесос и фильтр.
- Соблюдайте осторожность при чистке ступенек в бассейне.
- Во избежание повреждения внешнего адаптера и зарядной базы не пытайтесь переносить пылесос, держа его за шнур внешнего адаптера / зарядную базу, и тянуть за шнур, чтобы отсоединить его от источника питания и зарядной базы.
- Заряжайте пылесос в помещении в чистом, сухом месте с хорошей вентиляцией и температурой воздуха 5°C (41°F) - 35°C (95°F).
- НЕ оставляйте пылесос на зарядке более 10 часов.
- Если пылесос не будет использоваться в течение длительного периода, отсоедините его от зарядной базы и почистите и высушите пылесос и его аксессуары с помощью влажной ткани. Перед хранением убедитесь, что

аккумулятор заряжен примерно на 30–50% емкости. Храните пылесос в хорошо вентилируемом месте вдали от солнечного света, тепла, источников возгорания, химикатов для бассейнов и детей. Никогда не оставляйте пылесос для бассейна включенным в сеть на длительное хранение. Подзаряжайте пылесос каждые три месяца.

Приведенные выше предупреждения и предостережения не имеют своей целью включение всех возможных случаев риска и / или серьезных травм.

Владельцы бассейнов / спа должны всегда проявлять особую осторожность и здравый смысл при использовании продукта.

Примечание: фотографии / чертежи продукта / деталей в данном руководстве предназначены только для демонстрации. Продукт / детали на фотографиях / чертежах могут отличаться от приобретенной модели. Принадлежности / детали, показанные в этом руководстве и на схеме деталей, не обязательно входят в комплект поставки каждой модели.

НАЧАЛО РАБОТЫ

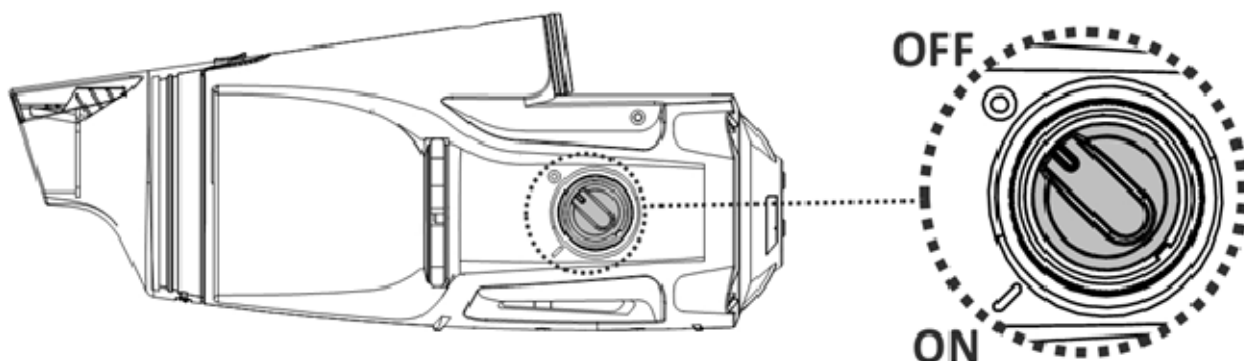
Зарядка аккумулятора

ВАЖНО: Перед первым использованием полностью зарядите аккумулятор пылесоса (около 6 часов).

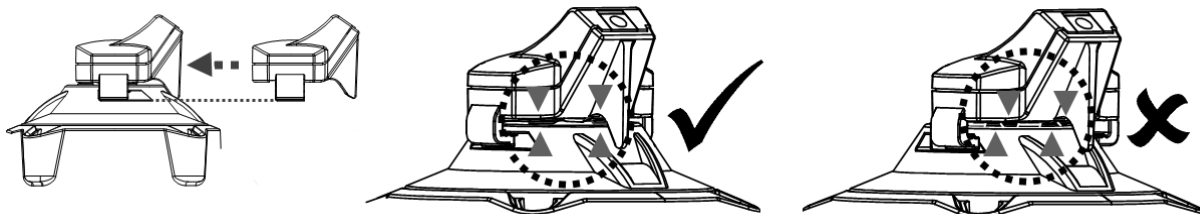
ПРЕДУПРЕЖДЕНИЕ!

- Используйте только оригинальный внешний адаптер и зарядную базу из комплекта поставки.
- Перед настройкой и зарядкой убедитесь, что пылесос и порт зарядки чистые и сухие. (СОВЕТ: откройте защитную крышку и протрите ватным тампоном порт для зарядки и зарядные контакты)
- Заряжайте пылесос в помещении в хорошо вентилируемом месте вдали от солнечного света, детей, тепла, источников возгорания и температурой воздуха 5°C (41°F) - 35°C (95°F).
- Никогда не используйте внешний адаптер и зарядную базу, если обнаружены какие-либо повреждения.
- Зарядные штыри водонепроницаемы. Однако остатки воды в порту и вокруг штырей могут естественным образом привести к появлению пятен (побочный продукт химической реакции между водой и электрическим током). Эти пятна можно легко удалить, протерев их ватным тампоном, смоченным соком лимона или уксусом.

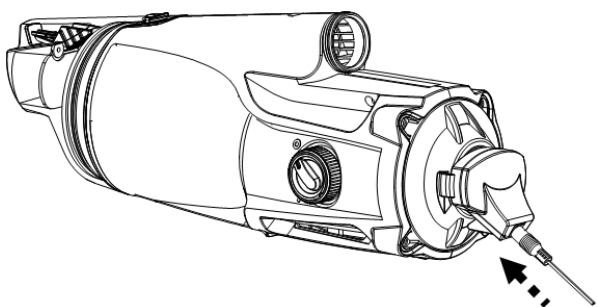
- Перед зарядкой убедитесь, что пылесос выключен, переведя выключатель питания в положение OFF (ВЫКЛ.).
1. Поместите устройство на ровную поверхность. Перед зарядкой убедитесь, что пылесос выключен, переведя выключатель питания в положение OFF (ВЫКЛ.).



2. Совместите крючок зарядной базы с боковым вырезом в нижней части основного корпуса и задвиньте его до упора. Убедитесь, что контактные пластины правильно соприкасаются.



3. Подключите разъем внешнего адаптера к зарядному порту на конце зарядной базы.



4. Подключите внешний адаптер к источнику питания. Как только пылесос для бассейна начнет заряжаться, индикатор на внешнем адаптере загорится красным. Обычно полная зарядка занимает

около 4-6 часов. Индикатор станет зеленым, когда пылесос для бассейна почти полностью зарядится.

ПРИМЕЧАНИЕ: если двигатель издает шум, выключите устройство, установив ручку переключения выключатель питания в положение OFF (ВЫКЛ.).

- Немедленно отключите внешний адаптер от источника питания, если обнаружите что-либо из следующего:
 - Зловонный или необычный запах
 - Чрезмерное нагревание
 - Деформация, трещины, утечки
 - Дым.

5. После завершения зарядки отключите внешний адаптер от источника питания и отключите зарядную базу от аппарата и внешнего адаптера.

Обычно пылесос может работать до 30 минут при полной зарядке (зарядка в течение 4-6 часов)

Примечание: Регулярно очищайте сетчатый фильтр. Чрезмерное количество мусора внутри сетчатого фильтра увеличивает нагрузку на двигатель и, как следствие, сокращает продолжительность работы.

ИНФОРМАЦИЯ: Ионно-литиевый аккумулятор классифицируется как расходный материал. Он имеет ограниченный срок службы и постепенно теряет способность удерживать заряд. Таким образом, время работы пылесоса будет постепенно сокращаться после повторной зарядки и разрядки на протяжении всего срока службы.

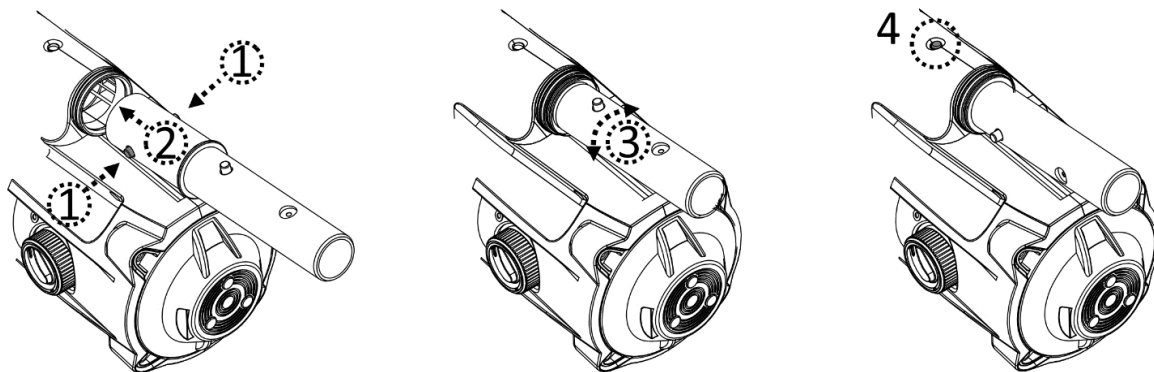
Когда срок службы батареи истечет, обратитесь к разделу «УТИЛИЗАЦИЯ АККУМУЛЯТОРА» для получения инструкций по утилизации батареи.

ПРИМЕЧАНИЕ: Дайте пылесосу отдохнуть от 30 до 40 минут, прежде чем снова зарядить его.

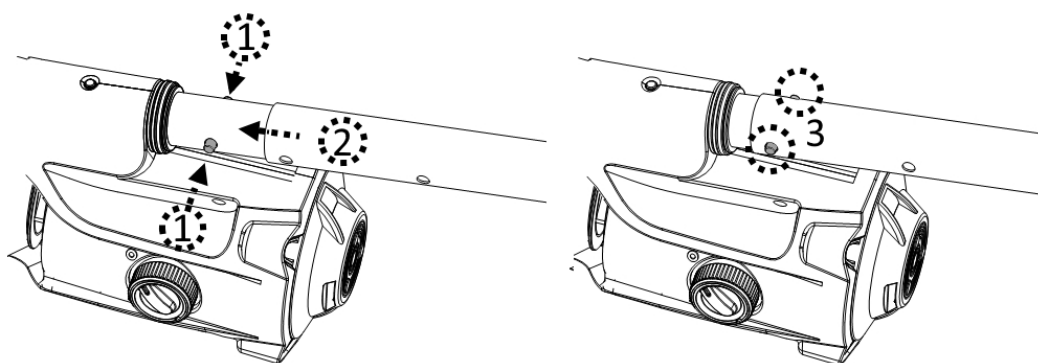
Настройка перед использованием

Сборка телескопической штанги (не входит в комплект) (только для ЕС и США)

Нажмите на боковые штифты соединительной вставки и вставьте ее в паз корпуса. Поворачивайте соединительную вставку в стороны, пока оба боковых штифта не войдут в отверстия паза.



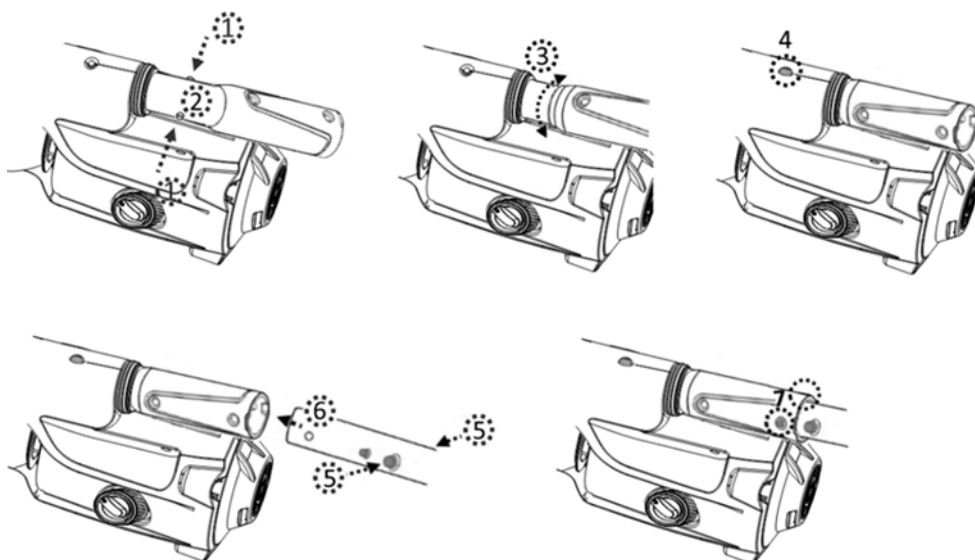
Наденьте телескопическую штангу на вставку. Нажимайте на боковые штифты вставки и сдвигайте телескопическую штангу дальше вниз, пока штифты соединительной вставки не зафиксируются внутри отверстий штанги.



Чтобы освободить телескопическую штангу, одновременно нажмите на боковые штифты и вытяните штангу.

Сборка специальной телескопической штанги (не входит в комплект) (только для Австралии / Новой Зеландии)

Вставьте конец (с двумя боковыми штифтами) специальной соединительной вставки телескопической штанги в пылесос для бассейна, как показано на рисунке, до тех пор, пока его боковые штифты не будут закреплены в фиксирующем отверстии ручки на задней части корпуса. Установите специальную телескопическую штангу (с внутренним зажимом на поперечном рычаге) на соединительную вставку штанги, как показано:



Подготовка бассейна

- Если на дне бассейна есть камни, корни или металлическая коррозия, удалите их перед использованием пылесоса. При необходимости обратитесь за помощью к квалифицированному специалисту.

- Если дно бассейна хрупкое, повреждено или помято, обратитесь к квалифицированному специалисту для выполнения необходимого ремонта или замены покрытия дна бассейна перед использованием пылесоса.
- Если вы используете бассейн с морской водой, убедитесь, что вся соль растворилась, прежде чем помещать пылесос в воду.

РАБОТА

ПРЕДУПРЕЖДЕНИЕ!

- Убедитесь, что пылесос для бассейна выключен.
 - Не используйте пылесос для бассейна при обнаружении каких-либо повреждений.
 - Масляное пятно может появиться из-за возможной утечки смазки, нанесенной на уплотнительное кольцо.
 - Не включайте пылесос для бассейна, если в воде находятся люди / домашние животные.
 - Перед тем, как включать пылесос убедитесь, что он полностью погружен в бассейн. Минимальный уровень воды, необходимый для работы пылесоса в бассейне, должен быть выше переключателя ВКЛ. / ВЫКЛ. пылесоса в бассейне, когда он находится в вертикальном положении. Использование пылесоса для бассейна при неправильном погружении может привести к повреждению устройства и аннулированию гарантии.
 - **ЗАПРЕЩАЕТСЯ** использовать пылесос для бассейна без исправного сетчатый фильтр. Использование пылесоса для бассейна без неповрежденного сетчатый фильтр **АННУЛИРУЕТ** вашу гарантию.
 - **НЕ** оставляйте пылесос в воде, когда он не используется.
 - Убедитесь, что зарядный кабель отсоединен, а зарядный порт закрыт защитным колпачком, прежде чем запускать пылесос в бассейне.
- 1) Поднесите пылесос к краю бассейна / спа. Погрузите пылесос для бассейна в воду и поверните выключатель питания в положение ON (ВКЛ.), чтобы начать работу.

ВНИМАНИЕ! Убедитесь, что пылесос для бассейна всегда смотрит вниз, когда вы погружаете его в бассейн. В противном случае он может погнуть соединительную вставку штанги и повредить ее в процессе работы.

- 2) Чтобы удалить пылесос из бассейна / спа, поднимите его, направив его вниз, чтобы вода могла вытечь через выпускной клапан. Вода будет выходить через соединитель ручки / штанги и сливные отверстия внутри камеры ручки на задней части корпуса.

ВНИМАНИЕ! Убедитесь, что пылесос для бассейна всегда направлен вниз, когда вы вынимаете его из бассейна. В противном случае он может погнуть соединительную вставку штанги и повредить ее.

- 3) Промывайте пылесос для бассейна пресной водой после каждого использования. НЕ ИСПОЛЬЗУЙТЕ моющие средства.

ОЧИСТКА ФИЛЬТРА

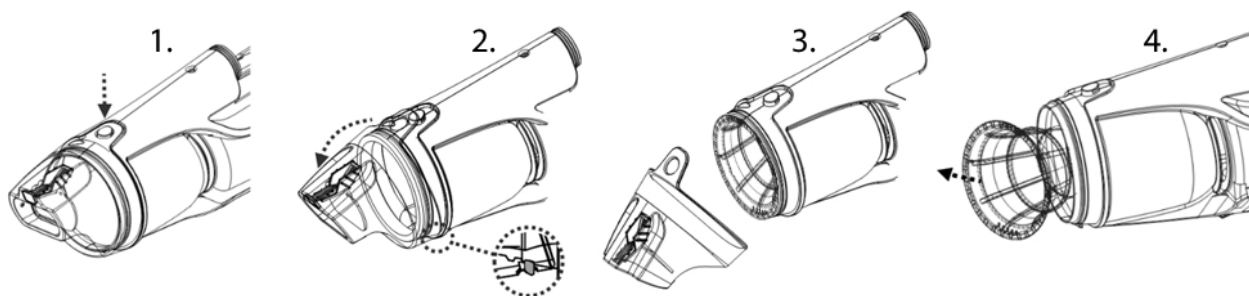
ПРЕДУПРЕЖДЕНИЕ! Использование пылесоса для бассейна без установленного сетчатый фильтр **АНнулирует** вашу гарантию.

Чтобы обеспечить максимальную эффективность пылесоса, обязательно очищайте Сетчатый фильтр до и после каждого использования.

ВНИМАНИЕ! Если пылесос заряжается, отсоедините внешний адаптер от источника питания и отсоедините пылесос для бассейна от зарядной базу. Убедитесь, что пылесос **ВЫКЛЮЧЕН**.

• Очистка сетчатый фильтр

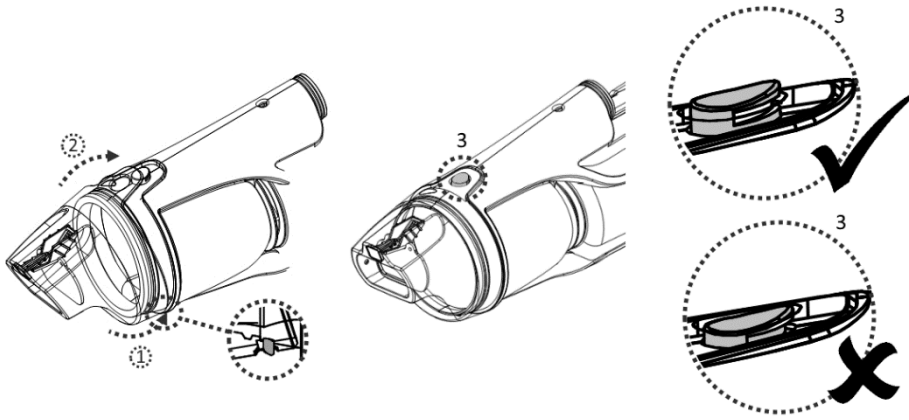
1. Установите пылесос для бассейна на устойчивую поверхность.
2. Нажимайте кнопку блокировки до тех пор, пока не освободится фиксирующее отверстие на прозрачной детали пылесоса. Сдвигайте прозрачную деталь до тех пор, пока выемка на его дне не освободится от крючка на дне основного корпуса. Извлеките сетчатый фильтр из основного корпуса.



ВНИМАНИЕ! Немедленно замените поврежденный сетчатый фильтр перед следующим использованием.

3. Удалите мусор и промойте сетчатый фильтр водой. Если необходима дополнительная чистка, используйте только мягкую щетку, чтобы аккуратно и осторожно очистить сетчатый фильтр.
4. Установите сетчатый фильтр обратно внутрь основного корпуса. Убедитесь, что сетчатый фильтр полностью вставлен в основной корпус.

Чтобы переустановить прозрачную деталь, сначала совместите выемку с крючком на основном корпусе, а затем прижмите ее к основному корпусу. Убедитесь, что фиксирующее отверстие на прозрачной части корпуса зафиксировано фиксирующей кнопкой.



ОБСЛУЖИВАНИЕ И ХРАНЕНИЕ

ПРИМЕЧАНИЕ:

1. Обязательно очищайте и высушивайте области вокруг зарядного порта и датчиков воды после каждого использования, чтобы избежать образования пятен (побочный продукт естественной химической реакции между электрическим током и водой). Если пятна все же появятся, их можно удалить легкой протиркой ватным тампоном, смоченным соком лимона или уксусом.
2. Батарея разряжается сама по себе во время хранения. Обязательно зарядите аккумуляторную батарею на 30% - 50% емкости перед хранением.
3. Когда пылесос не используется, следует заряжать аккумулятор не реже одного раза в три месяца.
 - Выньте внешний адаптер из розетки, а затем зарядную базу из внешнего адаптера.
 - Снимите аксессуары с пылесоса для бассейна. При необходимости промойте пылесос и аксессуары пресной водой. НЕ ИСПОЛЬЗУЙТЕ моющее средство.
 - Обязательно слейте воду из корпуса пылесоса, ручки и соединительной вставки перед хранением.
 - Используйте влажную ткань, чтобы очистить и высушить пылесос и его аксессуары.
 - Храните их в хорошо вентилируемом месте вдали от солнечного света, детей, тепла, источников возгорания и химикатов для бассейнов. Температура окружающей среды при хранении должна быть 10°C – 25°C (50°F – 77°F). ПРИМЕЧАНИЕ: Более высокая температура хранения может сократить срок службы батареи.

ПРЕДУПРЕЖДЕНИЕ!

- Никогда не пытайтесь разобрать пылесос для бассейна.
- Ни при каких обстоятельствах не пытайтесь самостоятельно разобрать пылесос для бассейна и заменить лопастное колесо, двигатель и аккумулятор.

ВНИМАНИЕ!

- Избыточный нагрев может повредить аккумулятор и в результате сократить срок службы вашего робота.
- Проконсультируйтесь со своим дилером по поводу замены батареи в следующих случаях:
 - Аккумулятор не заряжается полностью.

- Время работы аккумулятора до полной разрядки заметно сократилось. Измерьте и запишите время работы во время первых нескольких использований робота (при полной зарядке). Используйте это время в качестве ориентира для сравнения с временем работы в будущем.
- Аккумулятор необходимо удалить из робота перед тем, как утилизировать его.
- При извлечении аккумулятора робот должен быть отключен от сети.
- Аккумулятор следует утилизировать безопасно в соответствии с местными нормами и правилами.

ПРИМЕЧАНИЕ: Неправильное обслуживание может сократить срок службы батареи и, как следствие, повлиять на ее емкость.

УТИЛИЗАЦИЯ АККУМУЛЯТОРА (Выполняется квалифицированным техником)

Ваш робот оснащен необслуживаемой перезаряжаемой ионно-литиевой аккумуляторной батареей, которую необходимо утилизировать надлежащим образом. Пожалуйста, свяжитесь с местными властями для получения дополнительной информации.

ПРЕДУПРЕЖДЕНИЕ! Ни в коем случае не пытайтесь разобрать аккумулятор.

- Снимите все украшения, такие как кольца, браслеты, ожерелья и часы, если вы дотрагиваетесь до аккумуляторной батареи, извлеченной из робота.
- Батарея может производить ток короткого замыкания, достаточный для приваривания кольца (или подобного предмета) к металлу, вызывая при этом серьезные ожоги.
- При извлечении аккумуляторной батареи надевайте защитные очки, перчатки и защитную одежду.
- Не прикасайтесь ко всем проводам одновременно и избегайте контакта между ними и любыми металлическими предметами, так как это может вызвать искрение и / или короткое замыкание аккумулятора.
- Никогда не курите и не допускайте появления искр или пламени вблизи аккумулятора или робота.
- Не подвергайте аккумулятор воздействию огня или высоких температур, так как это может привести к взрыву.

ВНИМАНИЕ!

В случае возникновения утечки из батареи избегайте любого контакта с вытекшими жидкостями и поместите поврежденную батарею в пластиковый пакет.

- При попадании вытекшей жидкости на кожу и одежду немедленно промойте их большим количеством воды с мылом.
- Если вытекшая жидкость попала в глаза, не трите их, немедленно промойте глаза прохладной проточной водой в течение как минимум 15 минут и не трите их. Как можно скорее обратитесь за медицинской помощью.

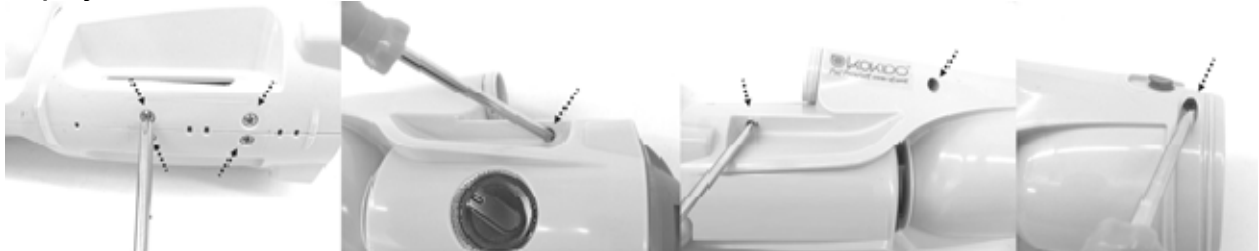
Как снять аккумулятор для утилизации (Выполняется квалифицированным техником)

Рекомендуемые инструменты (не входят в комплект): отвертка Philips и маленькая плоская отвертка.

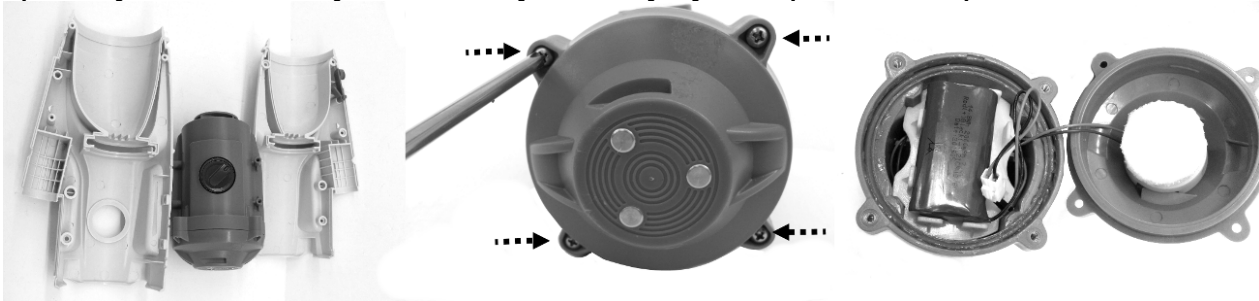
1. Нажмите кнопку блокировки и отсоедините прозрачную деталь от корпуса. Воспользуйтесь маленькой отверткой, чтобы отсоединить кольцо от корпуса. Кольцо сложно отделить отверткой, для резки используйте кусачки.



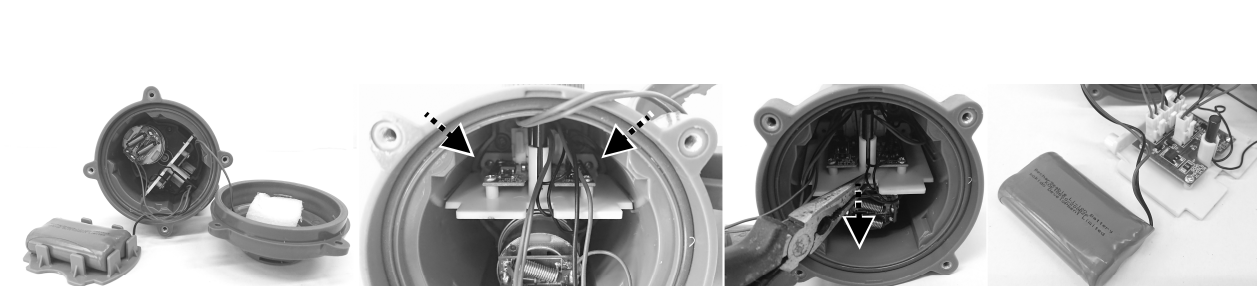
2. С помощью отвертки Philips открутите все винты на основном корпусе.



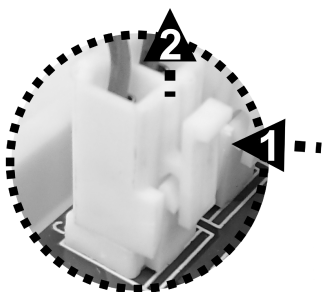
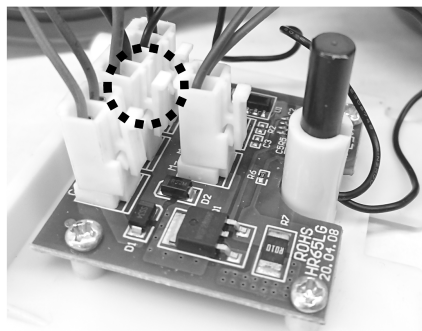
3. Разделите корпус на две половины, чтобы получить доступ к основной камере. С помощью отвертки Philips снимите торцевую крышку, чтобы получить доступ к аккумуляторной батарее.





4. С помощью крестовой отвертки открутите винт в углу опорной пластины, как показано на рисунке. Используйте зажим, чтобы захватить пластину, и вытяните ее, чтобы открыть разъемы проводов на печатной плате.



5. Найдите средний разъем, как показано, нажмите на зажим на разъеме и вытащите его. ПРИМЕЧАНИЕ: Немедленно оберните контакты изолянтной, чтобы избежать короткого замыкания, вызванного контактом обеих клемм проводов.



УСТРАНЕНИЕ ПРОБЛЕМ

Проблема	Возможная причина	Решение
Пылесос не собирает мусор	Батарея разряжается	Зарядите пылесос.
	Лопастное колесо заклинило	Выключите пылесос и осмотрите отверстие в центре пылесоса, чтобы проверить, не забито ли лопастное колесо крупным мусором. Если возможно, осторожно уберите мусор с помощью небольшого инструмента. При необходимости обратитесь к своему дилеру за дальнейшими инструкциями. ПРЕДУПРЕЖДЕНИЕ! Убедитесь, что пылесос выключен, прежде чем обслуживать аппарат.
	Лопастное колесо сломалось	Свяжитесь со своим дилером для замены.
	Сетчатый фильтр заполнен	Очистите сетчатый фильтр.
Мусор высыпается из фильтра	Сломан клапан всасывающего отверстия	Клапан всасывающего отверстия работает как дверца, предотвращая выход мусора из корпуса. Свяжитесь со своим дилером для замены клапана на новый.
	Сетчатый фильтр поврежден	Замените сетчатый фильтр на новый.
	Выпускной клапан оторвался.	Без выпускного клапана пылесос может захватывать мусор через это отверстие. Обратитесь к дилеру для замены клапана.
Не удается зафиксировать телескопическую штангу в соединительной вставке	Боковой штифт на соединительной вставке сломан.	Замените соединительную вставку новой.
Пылесос включился, хотя выключатель показывает, что он выключен.	Присутствие поблизости магнитных предметов привело к непреднамеренному включению двигателя.	Отодвиньте магнитные предметы и пылесос друг от друга.
Пылесос не заряжается / перезаряжается	Аккумулятор поврежден	Обратитесь к дилеру для замены аккумулятора. ПРЕДУПРЕЖДЕНИЕ! НЕ меняйте батарею самостоятельно. Это может привести к травмам или смертельному исходу, а также к аннулированию гарантии.
	Зарядные пластины на зарядной базе и пылесосе не контактируют должным образом	Убедитесь, что зарядная база правильно установлена на пылесосе, а их контактные пластины контактируют должным образом.
	Внешний адаптер поврежден	Обратитесь к дилеру для замены. ПРЕДУПРЕЖДЕНИЕ! Использование неподходящего внешнего адаптера приведет к повреждению пылесоса / аккумулятора и аннулированию гарантии
Время работы меньше ожидаемого	Аккумулятор заряжен не полностью	Заряжайте пылесос для бассейна не менее 6 часов. ПРИМЕЧАНИЕ: если на контактных пластинах есть пятна, удалите их с помощью ватного тампона, смоченного лимонным соком или уксусом.
Экологические программы, Европейская директива WEEE		
	Пожалуйста, соблюдайте правила Европейского Союза и помогайте защищать окружающую среду. Сдайте неработающее электрическое оборудование на предприятие, назначенное вашим муниципалитетом, которое надлежащим образом перерабатывает электрическое и электронное оборудование. Не выбрасывайте его в несортированные мусорные баки. Из предметов, содержащих съемные батареи, извлеките батареи перед утилизацией продукта.	
	© 2021 BWT Holding GmbH. 21010025 Все права защищены. Никакая часть этого документа не может быть воспроизведена или передана в любой форме и любыми средствами, электронными, механическими, путем фотокопирования, записи или иными способами, без предварительного письменного разрешения BWT Holding GmbH. (V1)	

Если вам требуется электронная копия данного руководства, пожалуйста, свяжитесь с нашей службой поддержки клиентов по электронной почте.


СОХРАНИТЕ ЭТИ ИНСТРУКЦИИ

BEZPEČNOSTNÍ POKYNY & UPOZORNĚNÍ

Informace obsažené v tomto návodu k obsluze vám pomohou bezpečně používat vysavač, chránit vás i ostatní před nebezpečím a předcházet poškození zařízení a dalšího majetku.

TYTO INSTRUKCE SI PEČLIVĚ USCHOVEJTE

UPOZORNĚNÍ!

- Tento výrobek není HRAČKA. Zajistěte, aby k tomuto bazénovému vysavači a jeho příslušenství neměly přístup děti.
- Nikdy nedovolte dětem používat tento vakuový vysavač.
- Tento výrobek není určen k používání pro osoby se sníženými fyzickými, smyslovými nebo mentálními schopnostmi nebo s nedostatkem zkušeností a znalostí, pokud jim nebyl poskytnut dohled nebo pokyny týkající se bezpečného používání spotřebiče a nerozumí možnému riziku nebezpečí.
- Děti si s ním nesmí hrát.
- Čištění vysavače ani jeho údržbu nesmí provádět děti.
- Před uvedením vakuového vysavače do provozu se ujistěte, že je zcela ponořen do bazénu. Při svislém držení zařízení musí dosahovat hladina vody v bazénu minimálně nad vypínač ON/OFF elektrického vysavače.
- Maximální provozní hloubka jsou 3 metry (9.8 stop).
- Maximální teplota vody: 5 °C (41 °F) – 35 °C (95 °F)
-  Odnímatelná napájecí jednotka (externí adaptér)
- Bazénový vysavač nabíjejte pouze externím adaptérem a nabíjecí základnou dodanou s tímto produktem.
- K nabíjení baterie používejte pouze odpojitelnou napájecí jednotku (číslo modelu adaptéru: DSS12D-0841000-B / DSS12D-0841000-C / DSS12D-0841000-D/ LX084100U), která je součástí tohoto elektrického vakuového vysavače.
- Připojte externí adaptér ke zdroji napájení přes jistič zbytkových proudů (RCD)/proudový chránič (GFCI). V případě pochybností se obraťte na kvalifikovaného elektrikáře.
- Nepoužívejte tento vysavač v případě, že zjistíte jakékoli poškození.
- Vyměňte poškozené díly za díly certifikované distributorem nebo výrobcem.
- Před odpojením bazénového vysavače od nabíjecí základny vypněte napájení, odpojte externí adaptér od zdroje napájení a odpojte externí adaptér od nabíjecí základny.
- Před prováděním pravidelné údržby – jako je například čištění filtru a desek nabíjecích kontaktů – vypojte bazénový vysavač z elektrické sítě a ujistěte se, že je vysavač VYPNUTÝ.
- **NEPOKOUŠEJTE SE** vyměnit nainstalovanou dobíjecí lithium-iontovou baterii.
- **NEMANIPULUJTE** s elektrickým vysavačem při nabíjení mokřýma

- rukama a bez bot.
- Tento elektrický vakuový vysavač byste neměli používat, pokud jsou ve vodě přítomni lidé/domácí zvířata.
 - **NEPOUŽÍVEJTE** tento bazénový vysavač bez neporušeného filtračního koše, jinak dojde ke ztrátě záruky.
 - Nebezpečí zachycení přísátím: tento elektrický vakuový vysavač vytváří sací efekt. Zabraňte kontaktu vlasů, pokožky nebo jakýchkoli částí oblečení se sacím otvorem vysavače.
 - Nikdy neumísťujte do sacího otvoru a pohyblivých částí elektrického vysavače části těla, oblečení nebo jiné předměty.
 - Tento elektrický vysavač nikdy **NEPOUŽÍVEJTE** k vysávání toxických látek, hořlavých nebo zápalných kapalin, jako je benzín nebo za přítomnosti výbušných a hořlavých výparů.
 - Za žádných okolností byste se neměli pokoušet elektrický vysavač rozebírat sami a měnit rotor, motor a baterii.
 - Nikdy se nedotýkejte rotoru prsty ani jinými předměty.
 - Vestavěnou baterii musí před likvidací vyjmout odborný technik.
 - Tento elektrický vysavač obsahuje baterii, kterou mohou vyjmout pouze kvalifikovaní pracovníci.
 - Při vyjmutí baterie musí být elektrický vysavač odpojen od sítě.
 - Podrobnosti o likvidaci baterie naleznete v části „LIKVIDACE BATERIE“ v této příručce.
 - Baterie musí být bezpečně zlikvidována v souladu s místními nařízeními nebo předpisy.
-
- Externí adaptér a nabíjecí základna:
 - Nikdy nepoužívejte externí adaptér a nabíjecí základnu k nabíjení ničeho jiného než baterie bazénového vysavače, která je součástí stejného balení.
 - Externí adaptér a nabíjecí základny by neměly být používány venku a neměly by být vystaveny dešti, vlhkosti, jakékoli kapalině nebo teplu.
 - Transformátor (nebo externí adaptér) musí být umístěn mimo zónu 1
 - Externí adaptér a nabíjecí základnu uchovávejte mimo dosah dětí.
 - Nikdy nepoužívejte externí adaptér a nabíjecí základnu, pokud zjistíte, že došlo k jejich jakékoli poškození.
 - **NEMANIPULUJTE** s externím adaptérem a nabíjecí základnou mokřýma rukama.
 - Při nabíjení **NEMANIPULUJTE** s bazénovým vysavačem, externím adaptérem a nabíjecí základnou mokřýma rukama a bez obuvi.
 - Pokud externí adaptér nepoužíváte, odpojte jej od zdroje napájení.

- Nikdy se nepokoušejte otevřít externí adaptér a nabíjecí základnu.
- Pokud je napájecí kabel externího adaptéru poškozený, musí jej vyměnit výrobce nebo jeho servisní zástupce, aby se předešlo jakémukoli nebezpečí.
- Před nabíjením se ujistěte, že je bazénový vysavač zcela suchý, a stejně tak i nabíjecí základna.

POZOR!

- Tento bazénový vysavač je určen pouze pro použití pod vodou; není to univerzální vysavač. **NEPOKOUŠEJTE** se jej použít k čištění čehokoli jiného než vašeho bazénu/vířivky.
- Používejte pouze originální příslušenství dodané s tímto výrobkem.
- **NEPOUŽÍVEJTE** tento elektrický vysavač ihned po použití chlór šoku. Doporučujeme vodu v bazénu nechat cirkulovat minimálně 24-48 hodin.
- Pokud plánujete používat bazénový vysavač v bazénu se slanou vodou, zkontrolujte, zda je veškerá sůl rozpuštěna, než do něj bazénový vysavač vložíte.
- **NEPOUŽÍVEJTE** tento vakuový vysavač s jiným elektrickým vakuovým vysavačem/čističem v bazénu/vířivce současně.
- Nevysávejte tímto vysavačem tvrdé nebo ostré předměty. Mohly by poškodit elektrický vysavač a filtr.
- Při čištění schodů bazénu buďte opatrní.
- Abyste předešli poškození externího adaptéru a nabíjecí základny, nepokoušejte se přenášet bazénový vysavač za kabel externího adaptéru/nabíjecí základny ani netahejte za kabel, abyste jej odpojili od zdroje napájení a nabíjecí základny.
- Vysavač nabíjejte v interiéru na dobře větraném místě mimo dosah slunečního světla, dětí, tepla, zdrojů zapálení a v rozsahu okolních teplot 5 °C (41 °F) až 35 °C (95 °F).
- **NENECHÁVEJTE** vysavač nabíjet déle než 10 hodin.
- Pokud nebudete vykuový vysavač delší dobu používat, ujistěte se, že je vypnutý a pomocí vlhkého hadříku vyčistěte a vysušte jeho příslušenství. Před uložením elektrického vakuového vysavače jej nabijte přibližně na 30 % až 50 % kapacity baterie. Skladujte jej na dobře větraném místě mimo dosah slunečního světla, tepla, zdrojů zapálení, chemikálií, bazénu a dětí. Elektrický vysavač dobíjejte každé tři měsíce.

Výše uvedené výstrahy a upozornění nezahrnují všechny možné zdroje rizik anebo vážných úrazů. Majitelé bazénů/vířivek by měli při používání produktu vždy dbát zvýšené opatrnosti a zdravého rozumu.

Poznámka: Fotografie/výkresy produktů/dílů obsažené v této příručce slouží pouze jako ukázka. Výrobek/díly na fotografiích/výkresech se mohou lišit v závislosti na zakoupeném modelu.

Příslušenství/díly a schéma zobrazené v této příručce a přehled dílů nemusí být nutně součástí každého modelu.

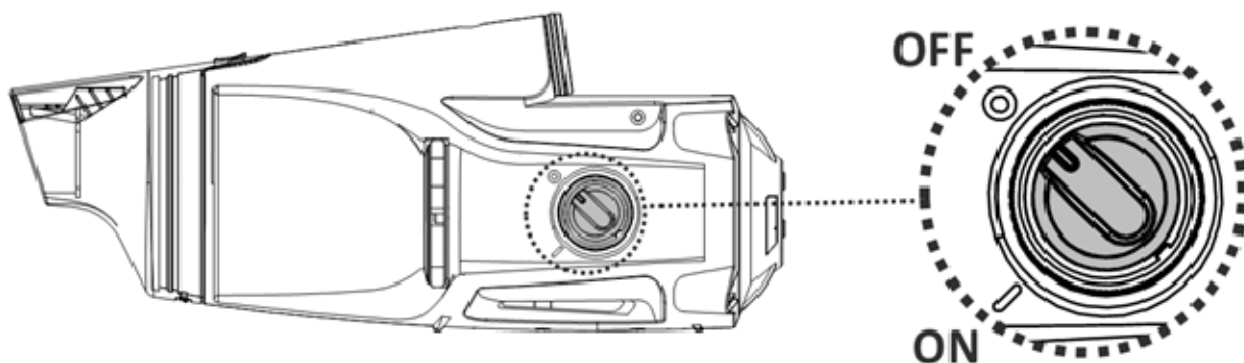
ZAČÍNÁME

Nabíjení baterie

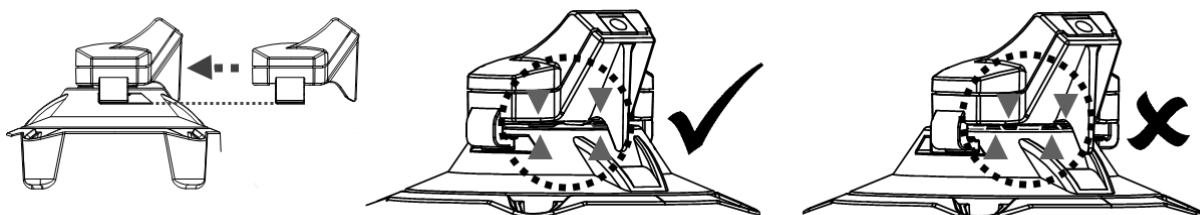
DŮLEŽITÁ POZNÁMKA: Elektrický vakuový vysavač před prvním použitím plně nabijte po dobu přibližně 6 hodin.

UPOZORNĚNÍ!

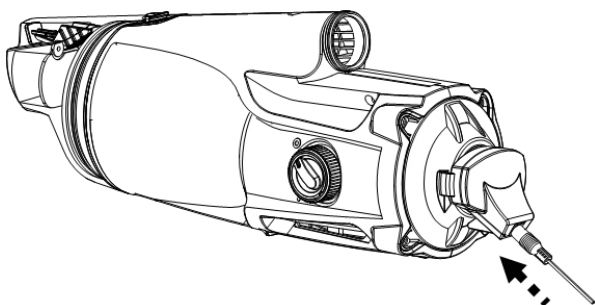
- Používejte pouze dodaný originální externí adaptér a nabíjecí základnu.
 - Před nastavením a nabíjením se ujistěte, že je bazénový vakuový vysavač čistý a suchý stejně jako nabíjecí kontaktní kolíky. (TIPY: Pomocí vatové tyčinky vysušte kolíky nabíjecích kontaktů)
 - Vysavač nabíjejte v interiéru na dobře odvětrávaném místě mimo dosah slunečního světla, dětí, tepla, zdrojů zapálení a v rozsahu okolních teplot 5 °C (41 °F) až 35 °C (95 °F).
 - Nikdy nepoužívejte externí adaptér a nabíjecí základnu, pokud zjistíte jakékoli jejich poškození.
 - Nabíjecí kolíky jsou vodotěsné. Zbytky vody v portu a kolem kolíků však mohou mít za následek přirozený výskyt skvrn (vedlejší produkt chemické reakce mezi vodou a elektrickými proudy).
 - Jinak lze skvrny odstranit lehkým vydrhnutím vatovým tamponem namočeným do šťávy z citronu nebo octa.
 - Před nabíjením se ujistěte, že je bazénový vysavač vypnutý.
1. Umístěte vysavač na rovný povrch. Před nabíjením se ujistěte, že je bazénový vakuový vysavač vypnutý otočením ON/OFF do pozice OFF.



2. Vyrovnajte a nasouvejte hák nabíjecí základny na boční zářez ve spodní části hlavního těla, dokud se nezastaví. Ujistěte se, že jsou jejich kontaktní desky ve správném kontaktu.



3. Zapojte konektor externího adaptéru do nabíjecího portu na konci nabíjecí základny.



4. Připojte externí adaptér ke zdroji napájení. Jakmile se bazénový vysavač začne nabíjet, kontrolka na externím adaptéru zčervená. Plné kapacity nabití dosáhne za 4–6 hodin. Když je bazénový vysavač téměř plně nabitý, kontrolka se rozsvítí zeleně.

POZNÁMKA: pokud motor vydává zvuk, ujistěte se, že je vypínač přepnutý do polohy „VYPNUTO“.

- Pokud zjistíte některý z následujících stavů, okamžitě odpojte USB nabíječku od zdroje napájení:
 - Nepříjemný nebo neobvyklý zápach
 - Nadměrné teplo
 - Deformace, praskliny, netěsnosti
 - Kouř

5. Po dokončení nabíjení odpojte externí adaptér od zdroje napájení a odpojte nabíjecí základnu od jednotky a externího adaptéru.

Elektrický vysavač může normálně pracovat až 30 minut na plné nabití (po 4-6 hodinách nabíjení).

POZNÁMKA: Pravidelně čistěte filtr. Nadměrné nečistoty zvyšují zatížení motoru a ve výsledku zkracují dobu provozu.

FAKT: Dobíjecí lithium-iontová baterie je klasifikovaná jako spotřební materiál. Má omezenou životnost a postupně ztrácí schopnost držet náboj. Proto se doba provozu bazénového vakuového vysavače bude po opakovaném nabíjení a vybití po celou

dobu jeho životnosti postupně snižovat.

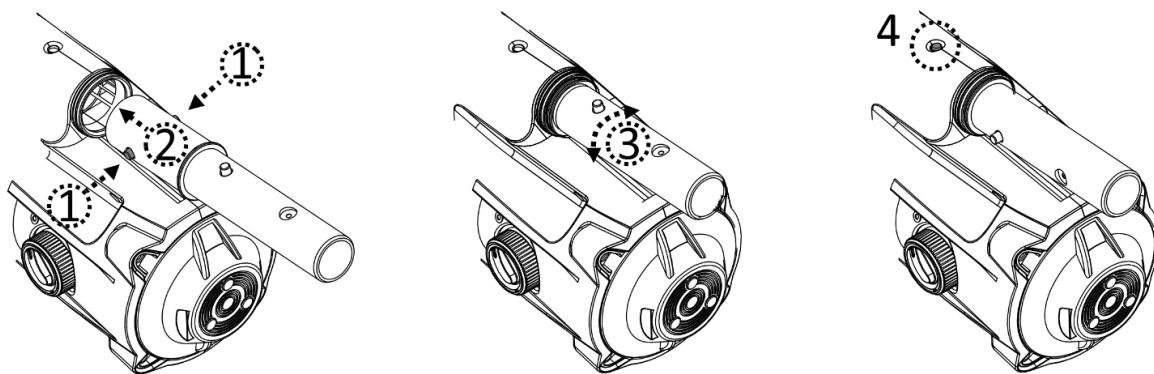
Jakmile životnost baterie dosáhne konce, pokyny týkající se likvidace baterie naleznete v části „LIKVIDACE BATERIE“.

POZNÁMKA: Před opětovným nabitím nechte robota odpočívat asi 30 až 40 minut.

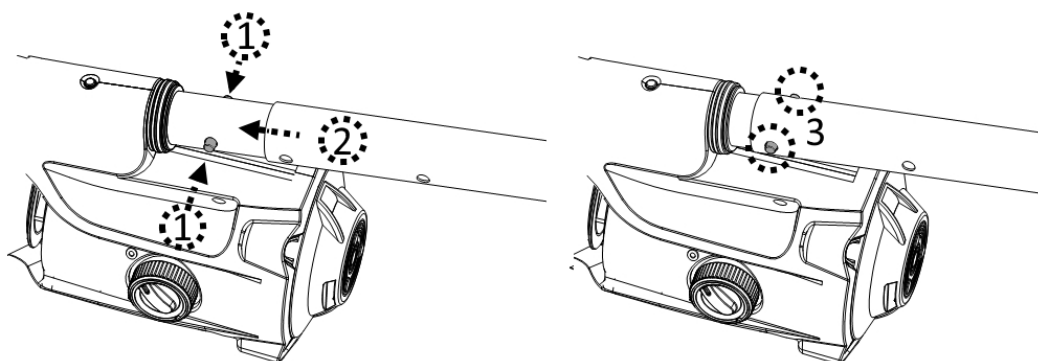
Nastavení před použitím

Montáž teleskopické tyče (pouze pro EU & USA)

Stiskněte boční kolíky konektoru teleskopické tyče a zasuňte je do hlavního těla. Otočte konektor v obou směrech, dokud není kolík zajištěn v otvoru, jak je znázorněno na obrázku.



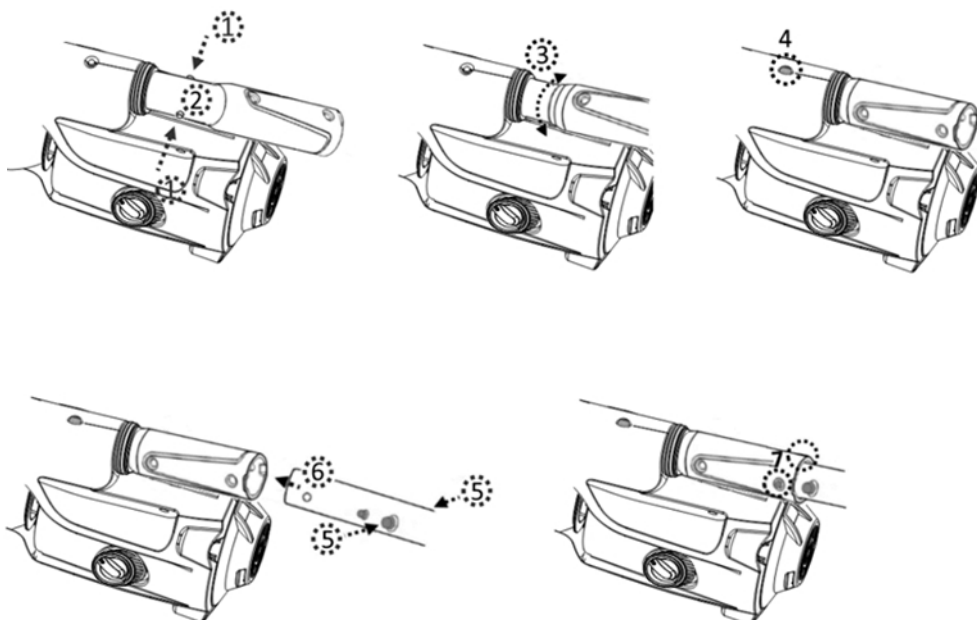
Nasuňte teleskopickou tyč na tyčový konektor. Zatlačte na boční kolíky konektoru a posuňte teleskopickou tyč dále dolů, dokud se kolíky konektoru uvnitř otvorů tyče nezajistí.



Chcete-li teleskopickou tyč uvolnit, stiskněte současně boční kolíky a tyč vytáhněte.

Montáž specifické teleskopické tyče (není součástí dodávky) (pouze pro Austrálii & Nový Zéland)

Zasuňte konec (se dvěma bočními kolíky) konektoru specifické teleskopické tyče do bazénového vysavače, jak je znázorněno na obrázku, dokud nejsou jeho boční kolíky připevněny k uzamykacímu otvoru rukojeti na zadním těle. Postup instalace specifické teleskopické tyče (s interní lichoběžníkovou sponou) do konektoru tyče je znázorněn následovně:



Příprava bazénu

- Pokud jsou na dně bazénu kameny, kořeny nebo kovová koroze, odstraňte je dříve, než začnete robota používat. V případě potřeby vyhledejte pomoc od kvalifikovaného odborníka.
- Pokud je fólie křehká, poškozená nebo zvrásněná, obraťte se před použitím vysavače na kvalifikovaného odborníka, který před použitím vysavače provede nezbytné opravy nebo provede výměnu fólie.
- Pokud používáte bazén se slanou vodou, ujistěte se, že je veškerá sůl rozpuštěna před umístěním vakuového vysavače do vody.

OBSLUHA

UPOZORNĚNÍ!

- Ujistěte se, že je vakuový vysavač vypnutý.
- Pokud zjistíte jakékoli poškození, bazénový vysavač nepoužívejte.
- Kvůli možnému úniku maziv nanesených na O-kroužek může vzniknout olejová skvrna.
- Nepoužívejte tento bazénový vysavač, pokud se ve vodě nachází lidé/domácí zvířata.
- Před uvedením bazénového vysavače do provozu se ujistěte, že je zcela ponořen do vody. Pokud je bazénový vysavač ve svislé poloze, vodní hladina potřebná k provozu bazénového vysavače musí sahat minimálně nad přepínač ON/OFF. Pokud by nebyl bazénový vysavač ponořen správně, mohlo by dojít k jeho poškození a tím i ke ztrátě záruky.

- **NEPOUŽÍVEJTE** bazénový vysavač bez neporušeného filtračního koše. Používání vašeho vakuového vysavače bazénu bez neporušeného filtračního koše bude mít za následek ztrátu záruky.
 - **NENECHÁVEJTE** bazénový vysavač ve vodě, pokud jej právě nepoužíváte.
- 1) Dejte vysavač na hranu bazénu/vířivky. Ponořte jej do vody a otočte vypínačem ON/OFF do polohy ON.

POZOR! Ujistěte se, že po umístění do bazénu směřuje vysavač vždy dolů. V opačném případě by mohlo během provozu dojít k ohnutí pólového konektoru a tím také k jeho poškození.

- 2) Chcete-li vyjmout bazénový vysavač z bazénu/vířivky, zvedněte jej tak, aby směřoval dolů a mohla z jeho výstupního ventilu vytéct voda. Voda bude vytékat přes konektor rukojeti/tyče a odvodňovací otvory uvnitř komory rukojeti na zadním těle.

POZOR! Při vyndávání bazénového vysavače z vody vždy dbejte na to, aby směřoval dolů. V opačném případě může dojít k ohnutí tyčového konektoru a poškození vakuového bazénového vysavače.

- 3) Po každém použití opláchněte elektrický vysavač vodou. **NEPOUŽÍVEJTE** žádný čisticí prostředek.

VYPRAZDŇOVÁNÍ FILTRU

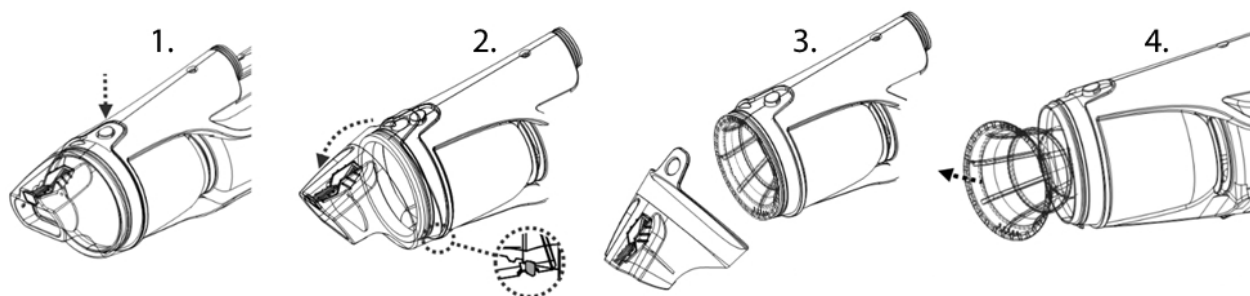
UPOZORNĚNÍ! Použití elektrického vakuového vysavače bez nasazeného filtračního koše má za následek ztrátu záruky.

Abyste zvýšili účinnost čištění vysavače na maximum, čistěte filtrační koš před a po každém použití.

POZOR! Pokud se bazénový vysavač nabíjí, odpojte externí adaptér od zdroje napájení a odpojte bazénový vysavač od nabíjecí základny. Zkontrolujte, zda je vypínač v poloze OFF.

• Vyprazdňování filtračního koše

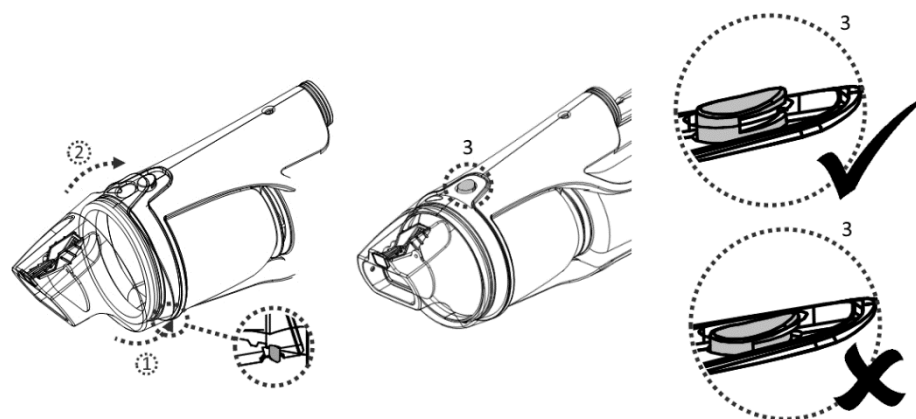
1. Postavte elektrický vakuový vysavač na rovný povrch.
2. Stiskněte aretační tlačítko, dokud se neuvolní zajišťovací otvor na průhledném krytu. Vysuňte nádobu, dokud se zářez ve spodní části otvoru nádoby neuvolní z háčku ve spodní části hlavního těla. Vyjměte filtrační koš.



POZOR! Před další manipulací vyměňte poškozený filtrační koš za nový.

3. Vyčistěte nečistoty a opláchněte filtrační koš vodou. Pokud považujete za nutné, použijte měkký kartáč a vysavač opatrně očistěte.
4. Přemístěte filtrační koš uvnitř hlavního těla. Ujistěte se, že je filtrační koš zcela zasunutý do hlavního těla.

Chcete-li kryt znovu nainstalovat, nejprve zarovnejte zárez krytu s háčkem na hlavním těle a poté kryt přitlačte na hlavní tělo. Postarejte se o to, aby byl zajišťovací otvor na průhledném krytu zajištěn zajišťovacím tlačítkem.



ÚDRŽBA & SKLADOVÁNÍ

POZNÁMKA:

1. Plochy kolem nabíjecích kolíků nezapomeňte po každém použití očistit a osušit, abyste zabránili tvorbě skvrn (vedlejší produkt přirozené chemické reakce mezi elektrickým proudem a vodou). Jinak lze skvrny odstranit lehkým vydrhnutím vatovým tamponem namočeným do šťávy z citronu nebo octa.
2. Baterie se během skladování sama vybije. Baterie by měla být skladována při pokojové teplotě, nabitá na přibližně 30 až 50 % své kapacity.
3. Pokud baterii nepoužíváte často, musíte ji dobít alespoň jednou za tři měsíce.
 - Odpojte externí adaptér ze zásuvky a poté odpojte konektor adaptéru z nabíjecí základny.
 - Odpojte od vysavače veškeré příslušenství. V případě potřeby vypláchněte přístroj a příslušenství čistou vodou. **NEPOUŽÍVEJTE** saponát.
 - Z vysavače, rukojeti a tyčového konektoru vypusťte vodu.
 - K vyčištění a usušení bazénového vysavače a jeho příslušenství použijte vlhký hadřík.

- Skladujte je na dobře větraném místě mimo dosah slunečních paprsků, tepla, zdrojů vznícení, chemikálií v bazénu a dětí. Okolní teplota pro skladování by měla být v rozmezí od 10 °C do 25 °C (50 °F–77 °F). POZNÁMKA: Vyšší teplota může snížit životnost baterie během skladování.

UPOZORNĚNÍ!

- Nikdy se nepokoušejte žádným způsobem rozebírat bazénový vysavač.
- V žádném případě se nepokoušejte sami rozebrat elektrický vysavač a vyměnit rotor, motor a baterii.

POZOR!

- Nadměrné teplo může poškodit baterii a v důsledku toho snížit životnost vašeho elektrického vysavače.

Poradte se s prodejcem ohledně výměny baterie, pokud dojde k následujícímu:

- Baterie se plně nenabije.
- Provozní doba baterie se zřetelně zkracuje. Sledujte a zaznamenávejte doby chodu prvních několika operací (při plném nabití). Tyto doby chodu použijte jako referenční bod pro srovnání s dobami provozu v budoucnu.
- Před sešrotováním baterie ji vyjměte z bazénového vysavače.
- Při vyjímání baterie musí být elektrický vakuový vysavač odpojen od elektrické sítě.
- Baterie musí být bezpečně zlikvidována v souladu s místními nařízeními nebo předpisy.

POZNÁMKA: Nesprávná údržba může snížit životnost baterie a v důsledku toho ovlivnit její kapacitu.

LIKVIDACE BATERIE (Provede autorizovaná firma)

Baterie vašeho elektrického vakuového vysavače je bezúdržbová dobíjecí lithium-iontová baterie, kterou je třeba řádně zlikvidovat. Je vyžadována recyklace; pro více informací kontaktujte vaše místní úřady.

UPOZORNĚNÍ! Baterii se nikdy nepokoušejte rozebírat

- Při odpojování baterie z bazénového vysavače si sundejte všechny osobní předměty, jako jsou prsteny, náramky, náhrdelníky a hodinky.
- Baterie může vytvořit zkratový proud dostatečně vysoký pro přivaření prstenu (nebo podobného předmětu) ke kovu a způsobit tak těžké popálení za provozu.
- Při vyjímání akumulátoru použijte kompletní ochranu očí, rukavice a ochranný oděv.
- Zabraňte vzájemnému kontaktu vodičů a jejich kontaktu s jakýmkoli kovovými díly, které by mohly způsobit jiskření anebo zkratovat baterii.
- Nikdy nekuřte ani se nepřibližujte se zdroji jisker nebo plamene k akumulátoru nebo k bazénovému vysavači.
- Baterii nevystavujte ohni nebo intenzivnímu teplu, neboť to může vést k výbuchu.

POZOR!

Dojde-li k úniku baterie, vyhněte se kontaktu s unikajícími kapalinami a vložte

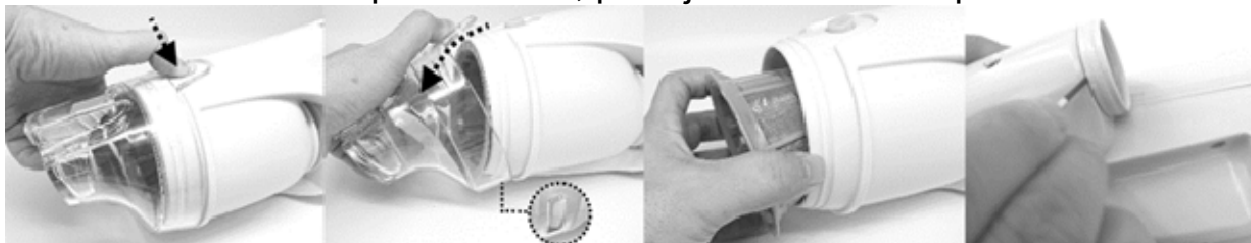
poškozenou baterii do plastového sáčku.

- Pokud se unikající kapaliny dostanou do kontaktu s kůží a oblečením, opláchněte je okamžitě velkým množstvím mýdla a vody.
- Pokud se unikající kapaliny dostanou do kontaktu s očima, oči nemněte, okamžitě vypláchněte chladnou tekoucí vodou minimálně po dobu 15 minut a nemněte. Co nejdříve vyhledejte lékařskou pomoc.

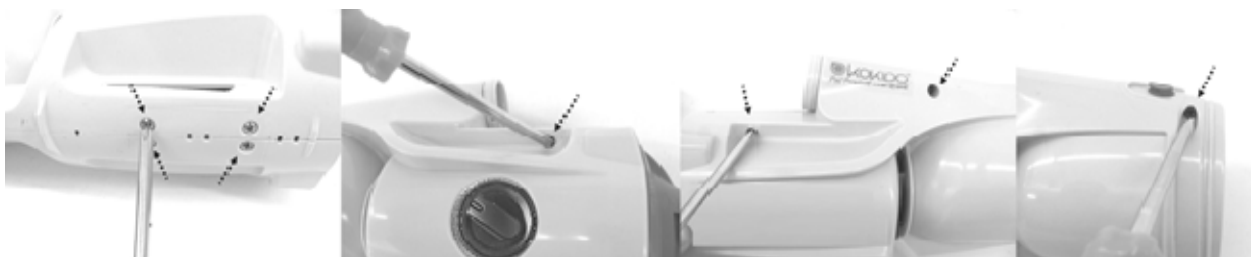
Jak vyjmout baterii pouze za účelem likvidace baterie (provede autorizovaný technik)

Doporučené nástroje (nejsou součástí dodávky): šroubovák Philips a malý plochý šroubovák

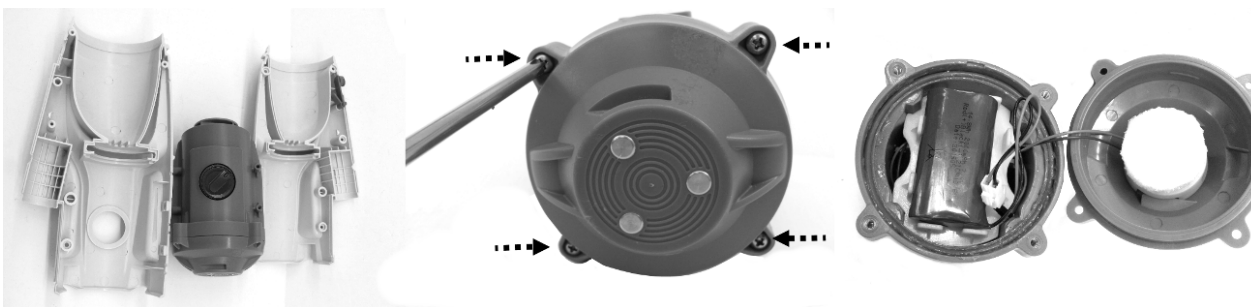
1. Stiskněte aretační tlačítko a vyjměte průhledný kryt z těla vysavače. Pomocí plochého šroubováku uvolněte z těla kroužek. Pokud je to šroubovákem obtížně proveditelné, použijte k uvolnění štípací kleště.



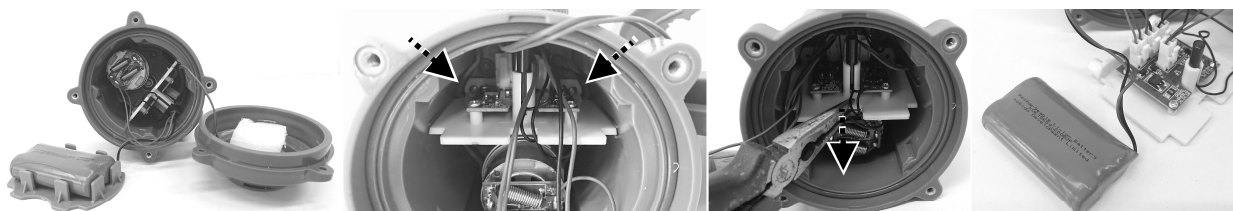
2. Pomocí šroubováku Philips odšroubujte všechny šrouby na hlavním těle.



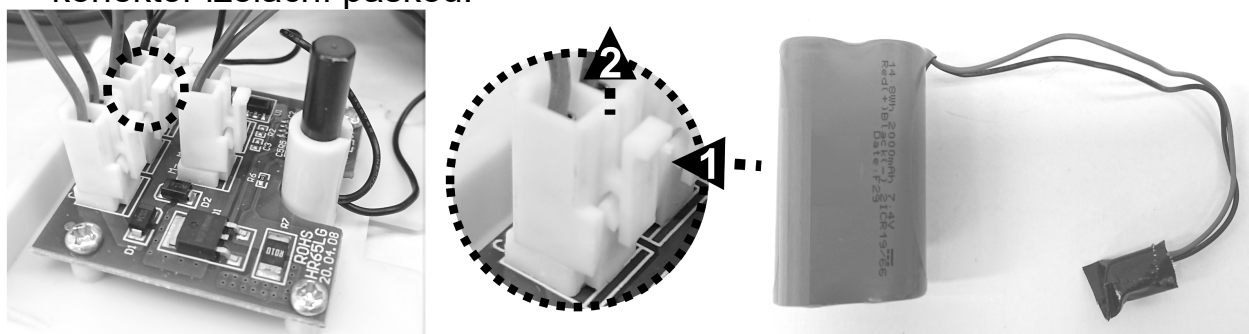
3. Abyste se dostali do hlavní komory, rozdělte tělo od sebe na dvě poloviny. Pomocí šroubováku Philips sejměte koncový kryt, čímž se dostanete k baterii.



4. Pomocí šroubováku Philips odšroubujte šroub na rohu opěrné desky tak, jak je znázorněno níže. Pomocí svorky si přichyťte desku a vytáhněte ji, čímž se dostanete ke konektorům vodičů na desce plošných spojů (PCB).





5. Najděte prostřední konektor, jak je zobrazeno na obrázku, stiskněte svorku na konektoru a vytáhněte ho. **POZNÁMKA:** Aby nedošlo ke zkratu způsobenému kontaktem obou vodičových svorek, neprodleně omotejte konektor izolační páskou.



ŘEŠENÍ POTÍŽÍ

Problém	Možná příčina	Řešení
Vakuový vysavač nesebírá nečistoty	Baterie je vybitá	Znovu dobijte baterii.
	Rotor je zaseknutý	Vypněte bazénový vakuový vysavač a zkontrolujte středový otvor vysavače, abyste zjistili, zda není rotor zablokovaný většími nečistotami. Pokud je to možné, odstraňte nečistoty pomocí malého nářadí s co možná největší šetrností a opatrností. V případě potřeby kontaktujte svého prodejce pro další pokyny. UPOZORNĚNÍ! Před opravou se ujistěte, že je bazénový vakuový vysavač vypnutý.
	Rotor je rozbitý	Pro výměnu kontaktujte autorizovaného prodejce.
	Filtrační koš je plný	Vyčistěte filtrační koš.
Z filtru unikají nečistoty	Klapka sací trysky je zlomená	Aby se zabránilo úniku nečistot z filtru, funguje klapka sací trysky jako dveře. Pro vyžádání náhradních dílů a pokynů kontaktujte prodejce.
	Filtrační koš je poškozený	Vyměňte filtrační koš za nový.
	Vypouštěcí ventil se ulomil	Bez vypouštěcího ventilu by mohl vakuový bazénový vysavač tímto otvorem nasát nečistoty. O výměnu ventilu požádejte autorizovaného prodejce.
Konektor teleskopické tyče nelze namontovat	Boční kolík na tyčovém konektoru je rozbitý	Vyměňte jej za nový tyčový konektor.
Bazénový vakuový vysavač se aktivuje, i když vypínač ukazuje, že je vypnutý	Motor nechtěně zapnul okolní magnetické předměty	Rozdělte od sebe magnetické předměty a vakuový vysavač.
Elektrický vakuový vysavač nelze nabíjet/dobíjet	Baterie je poškozená	Pro výměnu baterie kontaktujte prodejce. UPOZORNĚNÍ! NEOTVÍREJTE elektrický vakuový vysavač a nevyměňujte baterii sami. Mohlo by dojít k vážnému nebo smrtelnému zranění a rovněž ke ztrátě záruky.
	Vadný kontakt nabíjecích kolíků na nabíjecí základně bazénového vysavače	Zajistěte, aby byl bazénový vysavač na dobíjecí základnu správně dosedl a jejich kontaktní desky byly ve správném kontaktu.
	Externí adaptér je poškozený	Pro výměnu externího adaptéru kontaktujte prodejce. UPOZORNĚNÍ! Použití nesprávného externího adaptéru povede k poškození baterie bazénového vakuového vysavače a v důsledku toho ke ztrátě záruky.
Doba čištění je kratší, než jste očekávali	Baterie není plně nabitá	Bazénový vysavač nabíjejte alespoň po dobu 6 hodin. POZNÁMKA: Pokud se na deskách nabíjecích kontaktů objeví nějaké skvrny, odstraňte je pomocí vatové tyčinky namočené do citronové šťávy nebo octa.

Ekologické programy, Evropská směrnice

	Dodržujte prosím předpisy Evropské unie a pomáhejte chránit životní prostředí. Nefunkční elektrické zařízení zašlete do firmy stanovené vaším obecním úřadem pro řádnou recyklaci elektrických a elektronických zařízení. Zařízení nevyhazujte do kontejnerů s netříděným odpadem. U zařízení obsahujících vyjímatelné akumulátory vyjměte akumulátory před likvidací výrobku.
	© 2021 BWT Holding GmbH. 21010025 Veškerá práva vyhrazena. Žádná část tohoto dokumentu nesmí být reprodukována nebo předávána v žádné formě nebo žádným způsobem, elektronicky, mechanicky, foto kopírováním, záznamem nebo jiným způsobem bez předchozího písemného souhlasu BWT Holding GmbH. (V1)

Pokud požadujete kopii tohoto návodu k obsluze, kontaktujte prosím náš zákaznický servis na e-mailu.

TYTO INSTRUKCE SI USCHOVEJTE

Note / Notiz / Noter / Nota / Notare / Noteren / Notera
Huomautus / Merk / Nota / Примечание / Poznámka

- EN** We reserve the right to change all or part of the features of the articles or contents of this document, without prior notice. International patents pending
- DE** Wir behalten uns das Recht vor, Aspekte der Artikel bzw. den Inhalt dieses Dokuments jeweils ganz oder teilweise ohne vorherige Ankündigung zu ändern. International zum Patent angemeldet
- FR** Nous nous réservons le droit de modifier tout ou partie des caractéristiques des articles ou des contenus de ce document, sans notification préalable. Brevets internationaux en attente
- ES** Nos reservamos el derecho de modificar la totalidad o parte de las características de los artículos o contenidos de este documento sin aviso previo. Patentes Internacionales pendientes
- IT** Ci riserviamo il diritto di modificare integralmente o parzialmente le caratteristiche degli articoli o del contenuto del presente documento senza preavviso. Patenti internazionali in attesa
- NL** Wij behouden ons het recht voor om zonder voorafgaande kennisgeving de artikelen of de inhoud van dit document te wijzigen. In afwachting van internationale patenten
- SV** Vi förbehåller oss rätten att ändra alla eller delar av produktens funktioner eller innehållet i detta dokument, utan förvarning. Internationellt patentsökt
- FI** Pidätämme oikeuden muuttaa kokonaisuudessaan tai osittain tämän asiakirjan tekstiä tai muuta sisältöä ilman ennakkoilmoitusta. Kansainvälisiä patenteja vireillä
- NO** Vi forbeholder oss retten til å endre hele eller deler av detaljene i artiklene eller innholdet i dette dokumentet, uten forvarsel. Internasjonale patenter er under behandling
- PT** Reservamo-nos o direito a alterar a totalidade ou parte das funcionalidades dos artigos ou conteúdos deste documento sem aviso prévio. Patentes internacionais pendentes
- RU** Мы оставляем за собой право изменять полностью или частично характеристики, формат или содержание этого документа без предварительного уведомления. Ожидается получение международных патентов
- CZ** Vyhrazujeme si právo změnit všechny nebo některé části a obsah tohoto dokumentu bez předchozího upozornění. Mezinárodní probíhající patentová řízení.



BWT-V2-21010025

BWT Walter-Simmer-Str. 4 - 5310 Mondsee - Austria

Made in China / Hergestellt in China / Fabriqué en Chine / Fabricado en China / Fatto in Cina / Gemaakt in China / Tillverkad i Kina / Valmistettu Kiinassa / Laget i Kina / Fabricado na China / Сделано в Китае / Vyrobeno v Číně