



AQA DRINK DROP

EN - GENERAL INSTRUCTIONS



Devices for the treatment of drinking water.

All products comply with Ministerial Decree 25/2012 and Ministerial Decree 174/2004.

The installation must take place in compliance with current regulations and must be carried out by a qualified installer in accordance with Ministerial Decree 37/2008.

ATTENTION: this equipment needs regular periodic maintenance in order to ensure the requirements of potability of water and maintenance of improvements as stated by the manufacturer.

EC declaration of conformity

The equipment indicated in this installation manual use and maintenance of the BWT AQA DRINK DROP comply with the general safety requirements laid down in the following legislation:

D.M. 25/12 regulation laying down technical provisions concerning equipment for the treatment of drinking water.

D.M. 174 of 6 April 2004 concerning materials and objects that can be used in fixed installations for the collection, treatment, abstraction and distribution of water intended for human consumption.

Legislative Decree No. 31/2001 "implementation of Directive 98/83 / EC on the quality of water intended for human consumption".

Directive 2014/30/CE EMC Electromagnetic Compatibility

Directive 2014/35/CE LVD Low Voltage Directive

Regulation Reach n.1907/2006

Rules 2002/95/CE (Restriction of Hazardous Substances Directive)

73/23/EEC and meets the specific requirements of the UNI EN ISO 12100-1:2005 and UNI standards

For electrical equipment, the appliance complies with EN 60204-1 (1992), 44/5 (1993) CEI 64-8 (1993) EN 60335 and EN 60335-2-24 (safety of electrical installations for domestic and similar use) and with the electromagnetic compatibility standards EN 50081-50082.

D.L. 151 of 22 July 2005 on the reduction of the use of hazardous substances in electrical and electronic equipment, as well as waste disposal.

BWT operates with a certified Quality System in compliance with the requirements of UNI EN ISO 9001:2008, with Certificate no. 677 issued by CERTIQUALITY

GENERAL

Dear Customer,

Thank you for choosing a BWT branded product.

The device you purchased was designed and built in Italy by highly qualified personnel.

The construction highlights the high quality standards that have always distinguished our equipment.

The appliance does not present a danger to the user when used in accordance with the manufacturer's instructions.

The user must consult them and follow the instructions provided on the same.

Before undertaking any operation on the device, it is essential to read this manual carefully,

paying particular attention to the "SAFETY WARNINGS".

Keep the manual near the appliance, in a dry place protected from atmospheric agents.

The manual must be kept until the equipment is finally dismantled and, in

In case of change of owner, it will be handed over to the new owner.



AQA DRINK DROP

GLOSSARY

- MANUFACTURER:** this term is used to identify the manufacturer of the tap, with his name on the EC Declaration of Conformity
- EXPOSED PERSON:** any person in the vicinity of the device
- RESIDUAL RISKS:** this term identifies all dangers that are not obvious and cannot be eliminated at the tap design stage

GENERAL WARNINGS

ATTENTION:

- Read this manual carefully before using the device .
- The technical information contained in this manual is the property of BWT ; Reproduction of this manual, even partial, is prohibited
- Conserve the manual carefully and deliver it to the new owner in case of transfer of the appliance;
- Make sure that the appliance has not been damaged during transport. Packaging materials, being potential sources of danger, must not be left within the reach of children, they must also be disposed of in compliance with current regulations.
- Not use damaged appliances. In case of abnormal operation (short circuits, sudden shutdowns, water leaks, etc.) turn off the appliance, close the shut-off valve of the feed water of the appliance and remove the power supply, finally call the authorized technical service center. The manufacturer rejects any responsibility in case of modifications and errors of electrical and hydraulic connection, caused by non-compliance with the instructions in the installation manuals of the equipment. Circumstances of use of the equipment for purposes other than those intended are prohibited. **FAILURE TO COMPLY WITH THESE INDICATIONS DETERMINES THE IMMEDIATE LOSS OF THE GUARANTEES.**

SAFETY WARNINGS

ATTENTION:

- Read the instruction manual carefully and store it carefully in a dry, protected place; keep it close to the appliance so that it can be consulted if necessary.
- Do not leave the material used for packaging (box, bag, staples, etc.) within the reach of children. It is advisable to keep the packaging for future reuse; otherwise dispose of the materials according to the regulations in force.
- If the appliance is damaged or has visible defects or malfunctions, it is recommended not to use it and not to attempt to disassemble or tamper with it. You should contact your dealer directly for repair.
- Place the appliance on the ground on a flat and stable surface; in a suitable and weathered place (sun, rain, frost, etc.).
- Do not overlap the appliance with other appliances.
- Place the appliance away from heat sources .
- Installation, extraordinary maintenance and repairs must be carried out only and exclusively by qualified and specialized personnel authorized by the manufacturer; always contact your dealer or authorized technical assistance center of BWT

The installation must be carried out by qualified personnel able to issue a regular declaration of conformity in accordance with the provisions of Ministerial Decree No. 37 of 22 January 2008 relating to the reorganization of the provisions on the installation of systems inside buildings.

ATTENTION: The feed water of the appliance must be exclusively drinking water, with characteristics that meet the limits set by Legislative Decree 31/2001, relating to the quality of water intended for human consumption.

It is absolutely forbidden to connect the appliance to sources of water other than drinking. Do not use the appliance to dispense volumes of water greater than those indicated in the technical data or at pressures below 2.5 or greater than 4 bar.

- If the power cord is damaged, it must be replaced by the dealer or technical assistance service of BWT in order to prevent any risk.
- Do not crush the electrical cable or place heavy objects on it.
- Do not use adapters to connect the appliance to the electrical outlet.
- Do not unplug from the electrical outlet with damp or wet hands.
- Do not pull the power cord or appliance to unplug from the electrical outlet.
- In case of anomalies (water leakage or other), disconnect the power supply and position the valves so as to leave the appliance in by-pass.
- Do not use the appliance in explosive environments.
- The appliance must remain electrically powered at all times. Do not climb or sit on the machine.
- Use only original accessories.
- Do not immerse the appliance in water at all. Do not clean the appliance with water jets.
- Perform all start-up, cleaning or maintenance operations with the appliance off, in the absence of water supply and with the electrical plug disconnected from the 230V 50Hz socket.
- In case of improper use, not in accordance with the instructions for use, or tampering with the device, the Manufacturer is not responsible for any damage caused to people, animals or things.
- When the appliance is taken out of use by scrapping, it must be rendered unusable and subsequently disposed of in accordance with the relevant provisions in force.
- When positioning the machine, ensure that the support surface is adequate for the weight of the machine.

The manufacturer exempts himself from any responsibility in the specific case contemplated below:

- improper use of the appliance;
- use contrary to specific national regulations (power supplies, installation and maintenance); installation performed by unauthorized personnel;
- power defects (electric shocks, power surges, overpressures water supply, low water pressure);
- unsuitable operating environment temperature ;
- deficiencies in planned maintenance;
- unauthorized modifications or interventions ;
- use of spare parts that are not original or not specific to the model;
- total or partial non-compliance with the instructions.

HYGIENIC/SANITARY PRECAUTIONS

- For hygienic reasons, during maintenance, do not touch the internal parts of the appliance without first having complied with normal hygiene procedures.
- If the appliance has been switched off for more than 24 hours, dispense at least 5 liters of water (according to the needs and quality of the water).
- If no water has been supplied for more than 24 hours, dispense at least 2 liters of water before consumption. The appliance must be used in full compliance with hygiene regulations to ensure water quality.

PACKAGING OPENING

PACKAGING

The device is generally shipped on a pallet protected in a cardboard box and with plastic film: polyethylene bag and bubble wrap. In addition, the stainless steel panelling is protected by a suitable plastic protection thread that can be easily removed.



The packaging can be removed before bringing the appliance to the installation site while waiting for the technician. The packaging must be opened starting from the top. Remove the adhesive tape and the closure straps.

Avoid damaging the surface of the stainless steel or painted panels according to the luminaire model. It is advisable to store the packaging for future reuse. Once the packaging has been removed, check that the appliance has not been damaged during transport. If so, contact the retailer. Check for supplied accessories that must be contained inside the box. The manufacturer recalls that the warranty does not cover damage deriving from transport or from the unloading and handling phases. Do not leave packaging materials unattended because they are potential sources of danger. If necessary, dispose of it in accordance with local provisions in force.

GOODS CONTROL

Once the packaging has been removed, check that the machine has not been damaged during transport. If so, contact the retailer. Check for supplied accessories that must be contained inside.

APPLIANCE DESCRIPTION

BWT AQA DRINK DROP is an ELECTRONIC TAP .

ELECTRONIC TAP : these are connected to remote chillers distant from the dispensing point (the latter usually represented by a "tower") to which they are connected via a refrigerate pipes.

A solenoid valve box should be connected between the electronic faucet and the dispenser as shown in the diagram below.

To the solenoid valve box will come the Ø6mm pipes from the ambient/chilled and sparkling water dispenser and the pipe to be connected to the electronic faucet will come out.

Between the solenoid valve box and the electronic faucet must also be connected the supplied 5-pin electrical connector for lighting and button operation.

The solenoid valve box must be powered at 230v .

If recirculation is provided, it has a pump located inside the chiller draws cold water from the tank and pushes it through one of the recirculation tubes to the column. Once it reaches the column, through a special fitting the water returns through the second pipe to the chiller. This continuous flow of cold water keeps the python at an optimal temperature.

Undercounter devices are widely used both because of their versatility and because there are many aesthetic column solutions available on the market.

Restrictions on use

It is absolutely forbidden to connect the appliance to sources of water other than drinking. Do not use the appliance to dispense volumes of water greater than those indicated in the technical specifications.

Environmental conditions

While waiting for installation, the appliance must be stored in an upright position at an ambient temperature between 5°C and 40°C.

Maximum humidity without condensation 80%.

At the time of installation and commissioning, the environmental conditions must be those indicated on the attached technical data sheet (see table below)



TECHNICAL DATA



APPARATUS Mod. BWT AQA DRINK DROP

The structure is SPECIAL METACRYLATE; faucet in stainless steel with satin -finishing .

- The appliance is made of materials suitable for contact with drinking water (D.M. 174/04) NOTE: The coil for the passage of water is made in LDPE PIPE Food & Drinking Compliant

AQA drink COMBI TOWER.	
Water Inlet Pressure	max 10 bar
Operating Temperature	2°C - 35° C
Power Supply	220V / 50Hz
Power consumption (W)	30W
Tap dimension dimensions (WxDxH mm)	260x300x460mm
Water Pump	NA
Flow rate of treated water	FROM THE CHILLER
Ice Bank Control	FROM THE CHILLER
Paneling and lid	METACRYLATE 4mm
Ø Water Inlet PIPE	8 Mm
Water ambient Temperature Min. /max.	5 - 30 °C
Environment Temperature Min. /max	5 - 40 °C
Room Related humidity .max.	70%
Weight	3 kg
Anti vandal backlit push button	AMBIENT / COLD / SPARKLING

General technical data valid for all dispenser in the range.

POSITIONING

The device must be handled with care; Falls and bumps can damage it even without external damage. The appliance must be installed only by authorized technical personnel, who will take care of its maintenance and sanitation at the first and periodic installation. Place the appliance away from heat sources and flammable materials. Electricity and water supplies must be available in the vicinity of the machinery in accordance with the specifications supplied by the manufacturer. To ensure a minimum perimeter space of 20 cm.

WARNING: It is forbidden to place the appliance near direct or indirect heat sources, or on top of other appliances or appliances.

INSTALLATION

After positioning the machine, it is necessary to proceed with the operations of connecting the power supplies.

The warranty is automatically void in case of:

- unauthorized installation or, without having followed the instructions provided;
- problems due to power defects;
- comply with the national regulations in force in the country of installation.

Do not make temporary links.

It is mandatory to insert a water interception tap on the connection point. The mains water supply must ensure:

- that there is no overpressure;
- a pressure as reported in the technical characteristics table ;
- Maximum recommended water pressure from chiller is 10 bar.

Must ensure that the characteristics of the water system comply with the manufacturer's instructions.

Use only certified fitting pipes for food (food use).

Proceed with the connection of the connection pipe to the water supply after insertion of the BWT-BEWAPUR filter (optional) preceded by a hydraulic shut-off valve (excluded from delivery),
Check the hydraulic seal.

It is advisable to insert an additional pre-filter in series with the water supply line in case of drinking water that is not perfectly clean.

Before connecting the power plug to the 230V 50Hz socket, open the water.

Hydraulic connections must be made before powering the system!!.

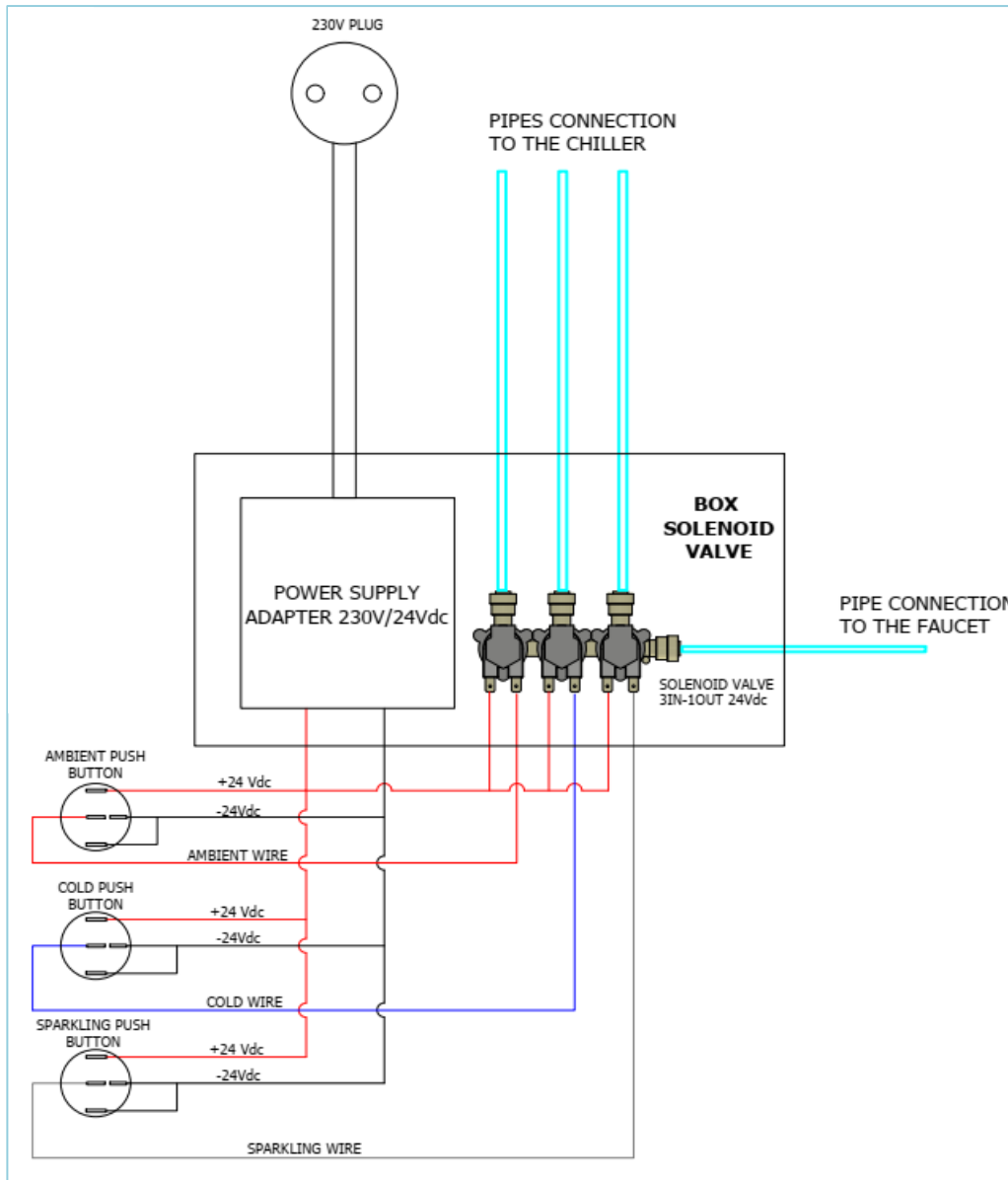
The connections are made using quick couplings such as John Guest or similar and specific pipe.

WARNING: Smaller diameters than expected may cause malfunctions of the entire system!!

Using the system of quick couplings it is necessary to pay attention to the cutting of the pipe that must be carried out with a special pipe t, so that it is clear, perpendicular and the cutting edge is not crushed under penalty of losing the joint. In addition, the pipe must be pressure-plugged all the way into the fitting.

Insert the safety clip on each fitting.

Installation diagram of an AQA DRINK DROP :



MAINTENANCE

All maintenance operations, whether ordinary or extraordinary, must be carried out with the appliance off and with the power and water supplies disabled. Any operation on the apparatus should be performed only after reading the requirements listed in Chapter "SAFETY WARNINGS".

During the warranty period we are not liable for any damage or malfunction if due to failure to comply with the regulations in force.

The buyer is authorized to intervene on the machine only in the cases listed on the following pages.

As for interventions not described or extraordinary, they can only be performed by the Technical Assistance Center or by the Reseller

PERIODIC CLEANING AND SANITIZATION OF THE EQUIPMENT

Replace the water in the tub at least once a year or whenever it is dirty.

The following table provides a guide to the planned cleaning and sanitation operations that need to be carried out on the appliance, according to the suggested periodicity.

PART OF THE APPARATUS	TYPE OF INTERVENTION	Frequency	
		Weekly	Monthly
Enclosure / Condenser	cleanliness	✓	
Device hydraulic circuit	sanitization	✓	
Total dispenser	sanitization. /cleanup.		✓

NOTE: The times given in the table are approximate maximums, and refer to normal conditions of use. In any case, refer to the local health regulations (Municipality and/or Country). The frequency of intervention is directly proportional to the severity of use of the machine.

EXTERNAL CLEANING: for a good conservation of the appliance, it is necessary to follow a scrupulous cleaning. The general cleaning of the machine must be carried out when the machine is switched off using neutral detergents, diluted in water.

TOTAL SANITIZATION OF THE APPLIANCE:

At the first machine installation, or after a period of inactivity, it is absolutely mandatory to perform a complete sanitization process as described below.

It is also a good idea (essential in conditions at risk) to sanitize the appliance completely maximum every month of dispensing to avoid possible bacterial contamination of the same. For this operation we recommend requesting the intervention of technical personnel qualified and equipped for this purpose, by contacting the dealer or authorized service center. If the equipment had not been used for a long time (discharged for one or more weeks eg. holiday period) or when replacing the cartridge of the BWT Bewapure HQ® filtro if present, it is mandatory to carry out the sanitization periodic following the following procedures:

a) Dispense at least 10 liters of water by alternately pressing the individual buttons of the dispenser (excluded from delivery) for a minimum time of second each;

b) Healthcare is carried out by introducing a specially designed healthy product into the appliance. such as BWT-ALLSIL2,5, Fontesana following the recommended procedure.

BWT-ALLSIL, Fontesana is a product specially designed for the disinfection and sanitation of water and systems. The BWT-ALLSIL, Fontesana is very effective, does not give rise to by-products, leaves no residues of taste or smell on the water then subsequently dispensed and which, as a final result, enriches the water with oxygen improving its quality and eliminating any microorganisms present. Chlorine-based products which denote particular odours and fragrances, which make drinking water unpalatable and unpalatable and, if used in different concentrations, would exceed the daily intake levels of chlorine should not be recommended for the health of the appliance.

NOTE: For cases where a high risk of pollution is feared, it is advisable to contact your dealer or authorized service center.

PROBLEM	CAUSE	REMEDY
The dispenser does not dispense water	Main water tap closed	Open the shut-off valve
	Pipe connecting to the water supply crushed or throttled	Check the path of the food tube ac - here drinkable
	Frozen water in the coil	Contact Technical Support
	Lack of power supply	Check correct insertion of the plug into the socket 230V or blown fuse
Dispenser delivers little water	Clogged filter	Provisionand replacement of the filter
	Fully closed compensator	Set sparkling water
	Low inlet water pressure	Contact Technical Support
The dispenser cools little	Check the location of your thermostat on the CHILLER	Lower the temperature by rotating the hand - pulley of the thermostat.
	The rear ventilation of CHILLER grille may be clogged with dust.	Wipe with a brush or soffiare with air com - press.
	Refrigeration unit refrigerant discharge	Contact Technical Support .
The appliance leaks water	Close the main tap immediately and unplug the ₂ electric power supply	Contact Technical Support .
With demand of sparkling water ways - only gas dispensed	Block pump	Switch off the power for 30 seconds by tur - ning off the chiller appliance using the ON/OFF switch and/or removing the plug from the 230V socket, using the appropriate button if pre - sent. If the problem persists, contact the Tech - nical Assistance Service.

DECOMMISSIONING AND SCRAPPING EQUIPMENT

TEMPORARY DECOMMISSIONING

The machine can remain unused or be switched off for a long time. In these cases, when you want to put it back into operation, you must observe some requirements:

- A) In the event that the dispenser has been switched off for more than 24 hours, dispense at least 5 liters of water (as needed and water quality);
- B) If no water has been dispensed for more than 24 hours, dispense at least 2 liters of water before consumption;
- C) Sanitize the dispenser as needed;
- D) If the dispenser is equipped with filters or other water treatment systems, replace them in accordance with the manufacturer's instructions ;
- E) The dispenser must be managed in full compliance with hygiene regulations to guarantee the quality of the product dispensed.

FINAL DECOMMISSIONING FOR SCRAPPING

When the device is put out of use, it must be rendered unusable by removing the plug from the socket and cutting the power plug of the cable. Disconnect the appliance from the water supply line.

The materials constituting the device do not require special treatments other than to be divided and grouped according to the type (eg ferrous, plastics, rubber, etc.).

Follow the regulations in force in the municipality and/or country where the appliance will be scrapped. The waste must be disposed of in accordance with current national practice, possibly using a recognised and authorised company for this service, or using municipal waste collection centres.

GUARANTEE

For this equipment, the statutory warranty terms apply. Exclusion of warranty rights

- 1) Failure to comply with the requirements for assembly and the duties of the operator will result in the exclusion of warranty rights
- 2) Failure of the appliance or poor performance caused by an incorrect combination of materials, a supply of corrosive products or deposits of iron and manganese, or for damage resulting from these reasons, BWT assumes no liability.
- 3) The manufacturer declines all responsibility in the event of changes and errors in electrical and hydraulic connection, determined failure to comply with the instructions in the manuals for installing or using the equipment under conditions other than those for which it was designed.
- 4) Failure to check and/or replace parts subject to wear will automatically invalidate the warranty.

DISPOSAL WARNINGS



The electrical and electronic components used in support of this equipment must not be disposed of with other waste at the end of their life but collected at the end of their life cycle .

Proper separate collection helps to avoid potential negative consequences for the environment and health and encourages the reuse and recycling of the materials of which the equipment is composed. The symbol shown on the product or on the packaging and in these instructions for use indicate that the electrical and electronic components used with this equipment must be subject to separate collection in accordance with Legislative Decree 14/03/14, no. 49 implementing Directive 2012/19/EU on waste electrical and electronic equipment (WEEE).

The user is invited to separate the electrical and electronic components from other types of waste by delivering it to the appropriate authorised collection centres in accordance with local regulations or, if coming from a household, by handing it over to the distributor when purchasing a new appliance of an equivalent type. For the management of the recovery/disposal of its electrical and electronic equipment BWT adheres to a collective system in the form of a consortium according to articles 2602 et seq. of the civil code.

INITIAL CHECK LIST

Once the installation is complete and before starting, check that all operations have been carried out correctly. Use this form to request a free initial visit to our service centers throughout the country.

REGISTER	CHECKLIST	YES	NO
User:	Is the venue accessible?	<input type="checkbox"/>	<input type="checkbox"/>
Retailer:	Is there sufficient room to operate and to allow maintenance?	<input type="checkbox"/>	<input type="checkbox"/>
Installer:	Is there a BWT filter before the device (suggested)?	<input type="checkbox"/>	<input type="checkbox"/>
Type of device:	Is there a non-return valve upstream of the dispenser?	<input type="checkbox"/>	<input type="checkbox"/>
Code:	Is there a socket powered by 230V and protected, at a maximum distance of 1.5 m?	<input type="checkbox"/>	<input type="checkbox"/>
Serial number :	Is the appliance constantly supplied with potable water?	<input type="checkbox"/>	<input type="checkbox"/>
Manufacture date:	Is the water pressure from main constant and between 2 and 4 dynamic bar ?	<input type="checkbox"/>	<input type="checkbox"/>
Inlet pressure:	You have declarations of conformity in accordance with current food regulations ?	<input type="checkbox"/>	<input type="checkbox"/>
Date: dd/mm/yy			

If one of the items in the CONTROL LIST is not respected, it will not be possible to put the device into operation.



bwt.com

FOR YOU AND PLANET BLUE.