



Contents and colours may vary

Cartridge style Drinking Water Kits

A convenient and simple to install drinking water filter system that can provide fresh tasting water straight from a tap next to your sink..

Models : These instructions cover the following two models:

1. Model No. N-RLK
2. Model No. N-RBK

Introduction

Thank you for purchasing a BWT drinking water kit. For your safety, the following instructions should be adhered to when installing, replacing or undertaking any maintenance to the unit. If you are unsure or have any questions regarding installation, please contact BWT's technical helpline on 01494 838100.

Contents

This BWT product has been designed to provide you with excellent quality drinking water for your home. The kit comes complete with all the major components you will require to complete a typical home installation.

Including:

- 2 x Filter housing c/w mounting brackets (and screws)
- 2 x Push Fit fittings (for touch tap and self cutting tap).
- Self cutting tap assembly
- Drinking water tap and fixing kit see diagram for details
- 2 x 3/4" BSP reduced to 10mm tube
- 2 x Filter Bowl and head assemblies
- 2 x Filters
- Flexible pipe
- Filter wrench for removing filter housings.

Section 1 : Preparation for installation

This product should only be installed on a water supply approved for drinking. Protect your installation from freezing .

Ensure the area in which you are to work is safe and clear of obstacles

Switch off the water to the area you will be working in and release any residual pressure in the system by opening a suitable tap

NOTE! Always leave a sufficient gap underneath the filter housing for a container to catch any excess water when changing the cartridges. Allow an additional 75mm clearance underneath each housing to facilitate future cartridge changes.

Always comply with your local water and building regulations

Max working pressure 5 BAR.

Section 2: Touch Flow tap Installation

Important please take note all information given in section 1. before starting your installation. Please install your BWT Touch Flow tap as outlined below.

Mounting the Tap

Select a suitable position for the Touch Tap assembly. The unit can be fitted either through a worktop or through a stainless steel sink.

Using a pencil, mark the work surface to indicate the centre of the tap and drill a 1/2" hole where marked

Slide the small black rubber washer (A) over the threaded part of the tap.

Next slide the chrome cup washer (B) followed by the larger rubber washer (C) over the threaded part of the tap

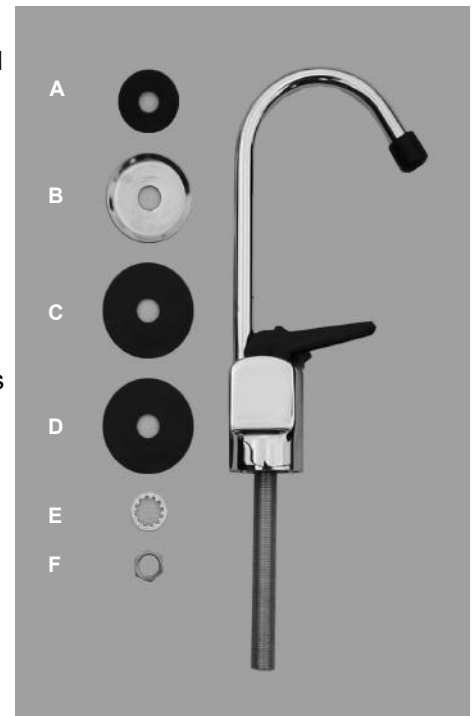
Insert the threaded section of the tap body into the 1/2" hole you have drilled.

Next pass the plastic washer (D) over the threaded part of the tap as it protrudes through the hole followed by the shake proof washer (E) and brass locking nut (F)

Twist the tap to your desired position and lock in place using the brass nut and a suitable spanner.

Where tap is not supplied with tube attached: Screw the Push-Fit tube adaptor (not shown) on the shaft of the tap using a suitable spanner to ensure a water tight joint (take care not to over tighten).

The connecting tube can be attached when you are ready by inserting one end of the tube into the push-fit connector until it stops then pull back slightly to complete the joint



Section 3: How to install the self cutting Tap

Ensure the water supply is turned off and any residual pressure is released from the system before starting the installation

Position the back plate behind the 15mm cold water pipe

Clamp the saddle to the back plate using the screws provided. A moulded boss on one of the screw holes ensures the two units are fitted the correct way round

Ensure the two faces are in full contact with each other

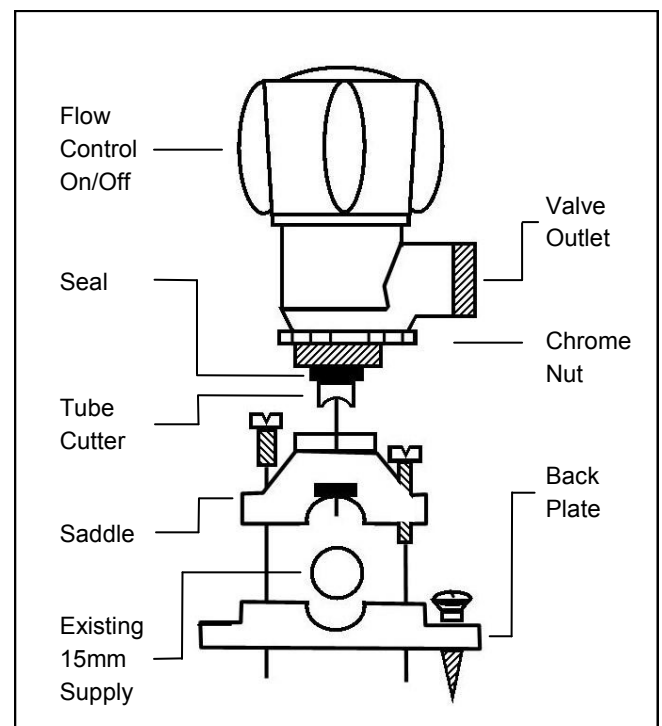
Remove the saddle from the back plate

Screw the back plate to the wall making sure that the copper pipe sits properly in the groove of the back plate use a packing piece if necessary to aid alignment.

Screw the chrome locknut hand tight against the shoulder of the tap body.

Screw the male thread of the tap body into the saddle so that the tube cutter cuts into the copper pipe

Cont.



Section 3: How to install the self cutting Tap (Cont.)

Position the tap body so that the flexible pipe can be connected from the tap to the cartridge without kinking (Do not unscrew the tap body more than half a turn in this process)

Tighten the chrome locknut against the saddle using a suitable spanner being careful not to over tighten.

Fit the push fit connector supplied to the outlet of the self cutting tap

Section 4: Filter Housing Assembly.

Select a suitable position for the filter housing taking note of the length of connecting tube available (remember the tube supplied needs to be cut and used for the connections on both sides of the filter system).

Join the two filter housing together using the 3/4" fitting provided. Ensure joint is tight Do Not over tighten as this can lead to damage to the filter housing.

Affix the mounting bracket supplied to the top of the filter head assembly

Position the completed assembly in your chosen location and mark the position for the wall bracket on the wall or cupboard side remove and drill any pilot holes if necessary.

Screw the two threaded reducers into the inlet and outlet of the filter heads; (no PTFE tape is needed),

If your filters are not packaged separately, unscrew each filter bowl and place on a level surface. Remove the cartridge from inside each one and remove all its packaging. Place the filter cartridges back inside the filter housing bowl. Re-attach the filter bowl and tighten to ensure a water tight seal

Now carefully mount the completed filter assembly in your chosen location.

Section 5: Final Assembly.

Cut the flexible pipe into two lengths suitable to reach from the filter head to both the self cutting tap and the touch tap.

Firmly push the tube into the push-fit fitting on the self cutting tap pulling back slightly to ensure the tube is locked in place. Carefully route the pipe taking care not to kink it to the inlet side of your filter assembly and push the other end of the pipe into the inlet connector.

Repeat the process and connect the touch tap to the outlet side of the filter housing

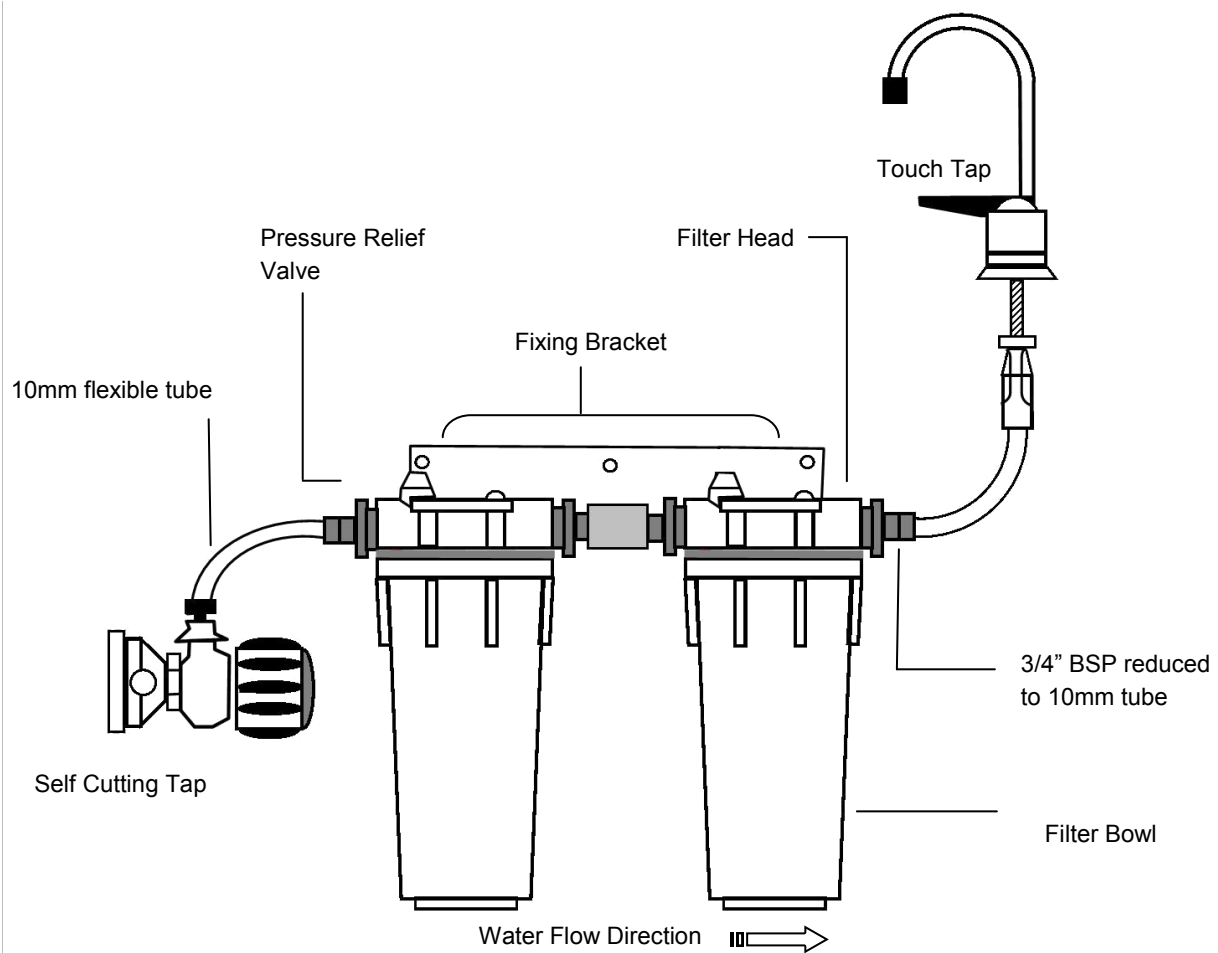
Check all connections are tight and well made

Open the touch tap by lifting up the control lever and turn on the main water supply

Gently open the newly installed self cutting tap and as the system fill check for leaks.

Allow the water to run freely for a minimum of 3 minutes or until 15 litres of water has been dispensed. This will allow any trapped air to escape and initial discoloration or settlement particles to disperse.

Section 6: Completed Assembly.



NOTE! To ensure sufficient contact time between the cartridge and the water, the water flow should not exceed 2 litres per minute. If the flow of water exceeds this then reduce the flow-using tap on the self cutting tap

This product should only be installed on a water supply approved for drinking. Protect your installation from freezing .

Contact

Europe's No. 1 in Water Technology

BWT UK Limited

BWT House, The Gateway Centre,
Coronation Road, High Wycombe,
Buckinghamshire, HP12 3SU
Tel: 01494 838100
Email: Enquires@bwt-uk.co.uk

BWT 2013. In the interests of product development, we reserve the right to alter specifications without prior notice. All photographs and dimensions are given for guidance only. Terms and conditions apply. E&OE.