



# INSTALLATION INSTRUCTIONS

Thank you for choosing a Waterside Water Softener. Please read the following installation instructions which if followed should ensure the installation is trouble free. If you have any queries please feel free to contact our Technical Department, on 01376 348383.

### PLANNING THE INSTALLATION

Always observe the Water bye-laws. Ensure there is only one rising main to the property. Check the water pressure (see note 1) locate the rising main, drain facilities and electricity supply. Allow room for access, maintenance and filling with salt.

### SITING THE SOFTENER

Where possible this should be close to the rising main. Take care to allow for hard water draw off points, i.e. drinking tap and outside tap. The distance between the unit and a drain should be as short as possible. IMPORTANT - DO NOT locate unit where it or its connections (including the drain and overflow lines) will ever be subject to room temperatures under 32°F (0°C) or over 120°F (49°C). If siting the softener within a cupboard ensure that the base is adequately supported. If you are planning to install the water softener above ground level, e.g. in the loft, the following instructions should be strictly adhered to. The softener should be installed within a container of not less than 25 gallons capacity, to which there shall be connected an overflow pipe not less than  $\frac{3}{4}$  inch in diameter. The overflow shall be connected not less than 6 inches below the height of any electrical components mounted on the softener.

### PLUMBING SYSTEMS

#### *Types of Plumbing Systems:*

#### *Traditional:*

For traditional plumbing systems with storage tanks our standard models are recommended and should be installed using the kit supplied.

#### *Systems Using Combination Boilers*

#### *and Unvented Fully Pressurised Systems:*

For these systems we recommend that the installation kit is not used as it will reduce the water flow through the system. Copper tube and fittings should be used instead to ensure adequate flow is maintained.

### BACKFLOW PREVENTION DEVICE

In single dwellings a check valve complying with BS6282 part 1 should be correctly fitted. All other installations require a double check valve.

### DRINKING WATER

The tap to be used for drinking water must be left on the hard water supply (see Fig.2).

### WATERSIDE

1 Crittall Drive  
Springwood Industrial Estate  
Braintree  
Essex CM7 2RT

Reg. Office  
Protean House  
High Street, Lane End  
High Wycombe  
Bucks HP14 3JF

## CHECK MATERIALS

Before commencing ensure you check the contents of the installation kit.

1 Pair of Inlet Hoses	1 Test Kit
1 Drain and Overflow Hose (3m)	1 Hose Clip
1 Set of Bypass Valves	4 3/4" Washers
1 Single Non-return Valve	

## 1. PRESSURE TEST

It is VERY IMPORTANT and must be carried out before you commence any further work. Low or high pressure could result in damage or non-operation of the softener (see Fig.1). Test the pressure with a gauge at the kitchen tap or outside tap. If in doubt we advise you to fit a pressure limiting valve. If daytime pressure is above 70 psi fit a pressure limiting valve. If daytime pressure is less than 25 psi a pressure pump is required.

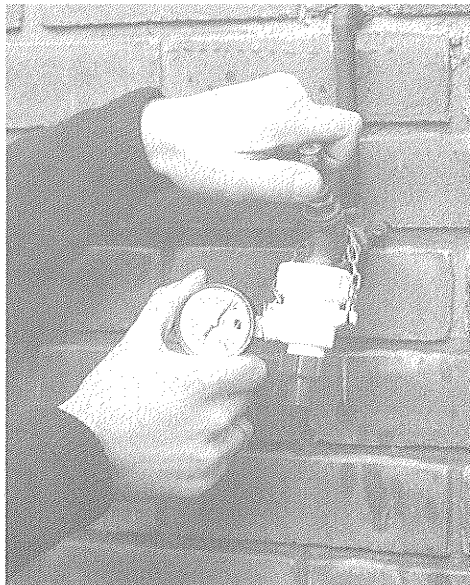


FIG 1

## 2. CONNECT BYPASS VALVES

Use the three valves provided to form a bypass, arrangements as shown in Fig.2. Tee off to hard water services as shown. The non-return valve must be fitted to the rising main prior to the inlet valve. NOTE ensure there is only one rising main to the property, also bear in mind the possibility of the rising main being teed off to other locations before the main stopcock.

## 3. INLET AND OUTLET CONNECTIONS

The inlet and outlet connections may be run in hose as shown (supplied with kit) or in copper tube. DO NOT use washing machine hoses as they will contaminate the

water. If using the supplied hoses screw onto inlet and outlet connections (Fig.3). We recommend the use of hose as it facilitates plumbing and any subsequent servicing. (Read PLUMBING SYSTEMS on page 1).

## 4. DRAIN CONNECTION

Push the flexible drain hose onto the yellow barbed connector as shown in Fig.3 and secure with the jubilee clip provided. Run the drain hose to a stand pipe or to a drain. A minimum air gap of 20mm must exist between the end of the drain hose and the top of the drain grid.

Softened water will have no adverse effect on a septic tank. You may extend the hose using 15mm copper tube if required. You can extend up to 9m if you have 40 psi daytime pressure. Drain hose must not be kinked or restricted in any way as this will cause overflowing.

## FROST PROTECTION

If the drain hose is run outside it must be vented, to empty the pipe after regeneration, or insulated. This is to prevent freezing which would otherwise prevent regeneration and cause overflowing.

NOTE: A Drain Vent is available from the supplier if required.

## RAISED DRAIN HOUSE

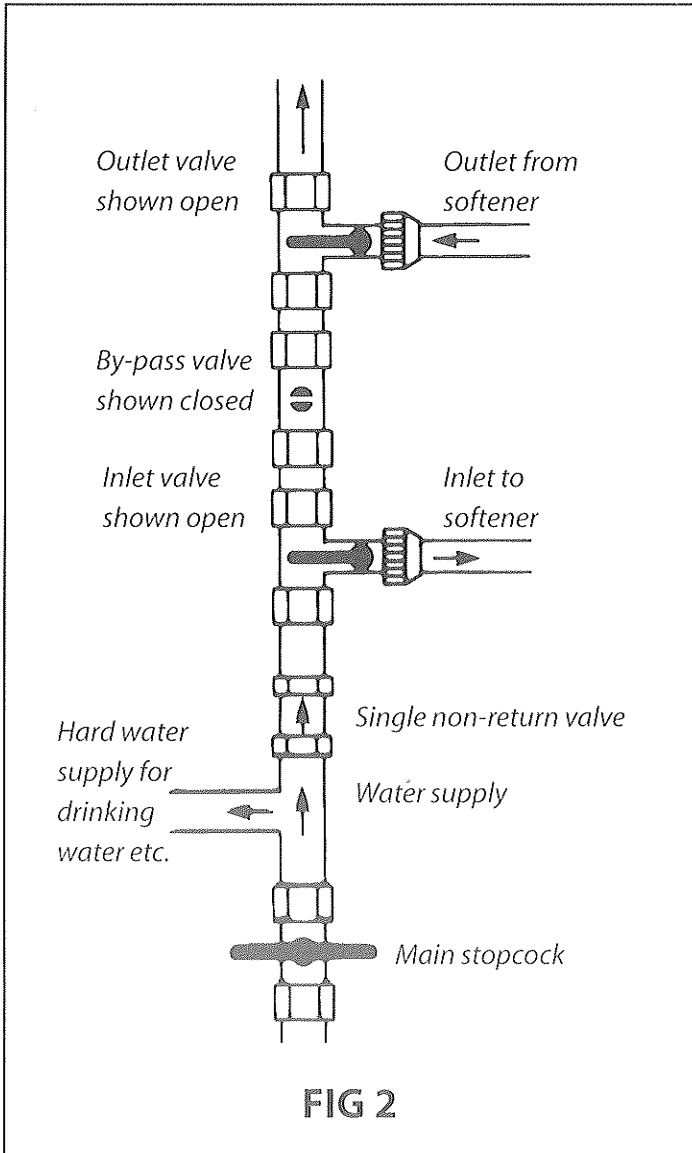
If you have a water pressure of 40 psi or more you can raise the drain a maximum of 2m.

## 5. OVERFLOW CONNECTION

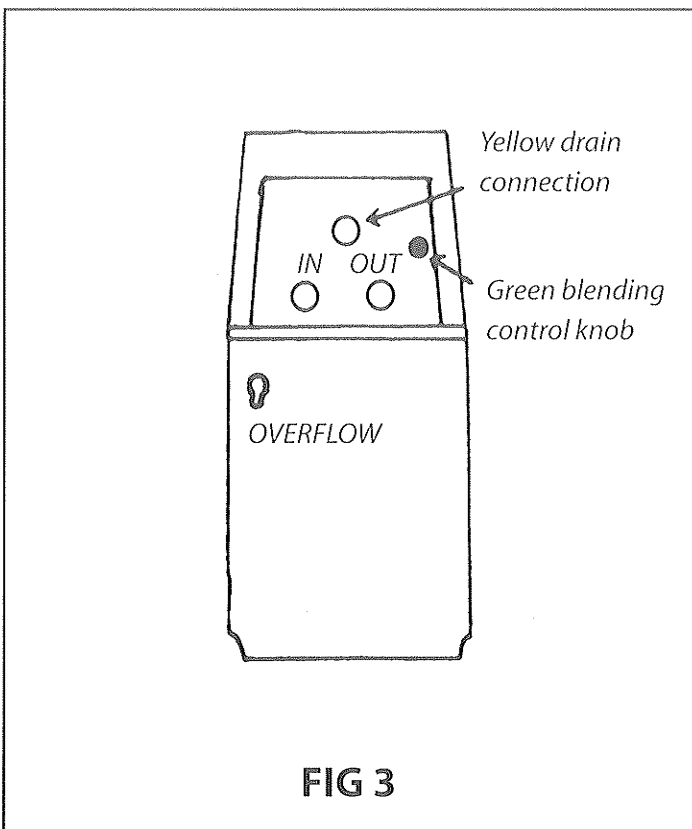
The hose for the overflow should be cut from the length of drain hose. The overflow hose should be connected to the 1/2 hose spigot on the rear of the cabinet. (see Fig.3). No clip is required. Run the hose downhill to the outside of the building without kinks or restrictions or to a stand pipe. Take care that overflow does not discharge where damage could occur. If the softener is fitted in a cellar the overflow can be run to a storage tank. Do not elevate overflow hose.

## 6. TEST AND CHECK ALL MODELS FOR LEAKS

Turn on main stopcock slowly, set the bypass valve to shut position, inlet and outlet valves to open positions. CHECK FOR LEAKS!!! The softener is now letting water pass through it to the drain. The first water produced may be amber coloured, this is quite normal.



**FIG 2**



**FIG 3**

## 7. ELECTRICAL CONNECTION

Connect the transformer supplied to a suitable electrical supply and plug the end of the fly lead to the socket on the bottom left hand side of the control facia. The motor will now run and drive the control to the soft water position, this can take up to 10 minutes.

## 8. SET PROGRAMMER

Obtain your water hardness by using test kit provided. To set programmer refer to instructions on facia panel.

## 9. FILL WITH SALT

Now fill cabinet, about three to six inches from the top with tablet salt. If using granular salt only fill the cabinet half way. Maximum salt capacity 50 lbs.

## 10. PRIME SALT TANK

Pour 2 gallons of tap water into the cabinet.

## 11. INSTALLATION COMPLETE

Your installation is now complete and will provide you with softened water.

## 12. BLENDING CONTROL

All machines are factory set to produce water which is 100% soft. If you prefer water which is less soft turn the green blending control knob (see Fig.3) anti-clockwise until the water meets your requirements.

Our Service Department is here to help. If you have any queries or problems please contact us on 01376 550577 for Service or 01376 348383 for technical advice.

Before calling out one of our Service Engineers please check through the installation and programming instructions as call-outs not attributable to a fault on the softener are chargeable.

# USER INSTRUCTIONS

## 1. REGENERATION

You may on occasion hear water running to drain. This would indicate that your water softener is regenerating. During regeneration the timer display will show any of the following to indicate that your water softener is in regeneration mode: RE, R1, R4, R5 or R6.

Should your machine display an error code, e.g. E1/E2, contact the service department.

## 2. TO BYPASS WATER SOFTENER

Turn the inlet, outlet and bypass taps through 90° as shown opposite (Fig. 4). Switch off electrical supply.

## 3. USER MAINTENANCE

Your Waterside softener requires minimal maintenance, simply keep topped up with salt. The softener will require topping up when the red line can be seen inside the cabinet, (See 9). In the unlikely event that a high water level occurs within the cabinet, please take the following action:

1. Bail out excess water in cabinet.

**NB:** The water level inside the cabinet under normal circumstances should be one third to half full, without the addition of salt.

2. Initiate a manual regeneration by means of pushing the two water droplets on the keypad (see below).

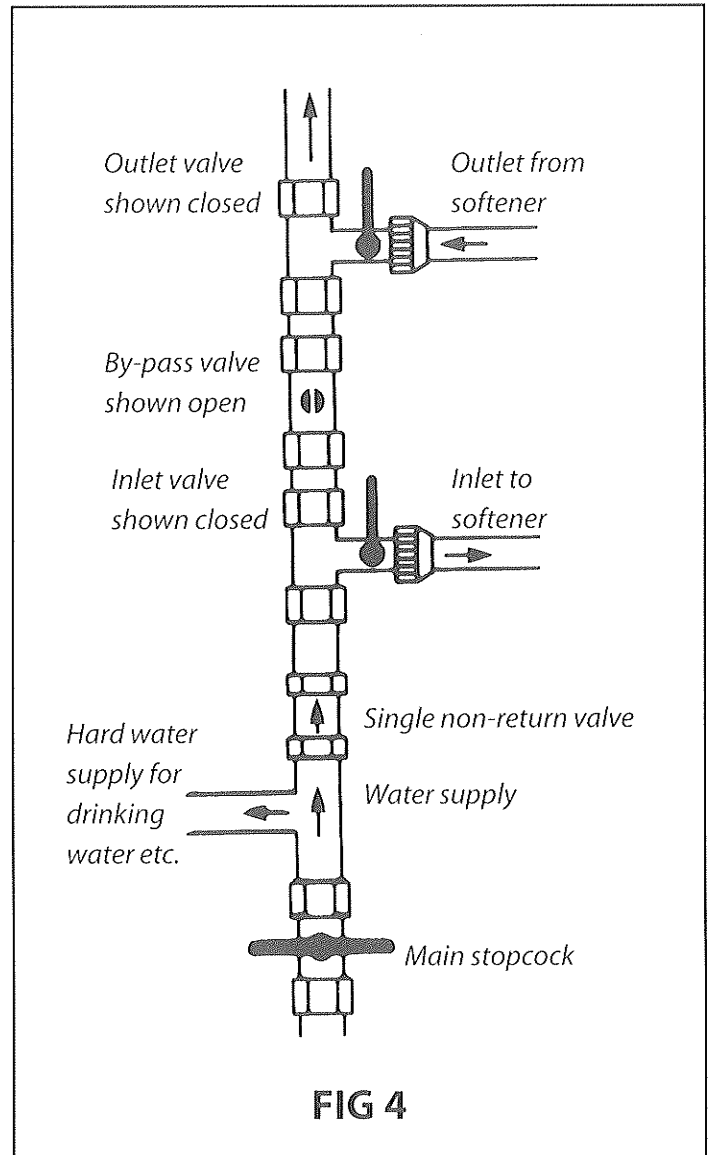
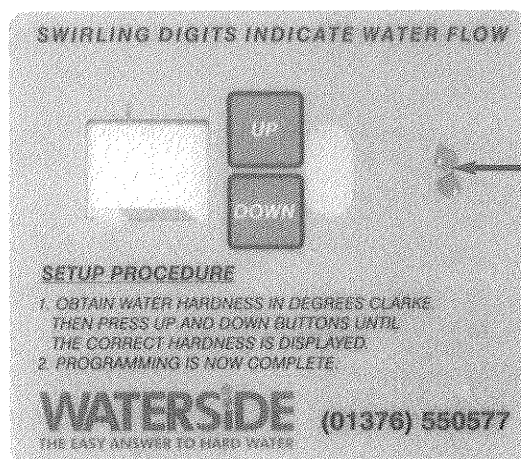


FIG 4



Whilst we would expect your machine to provide you with trouble free softened water, we do recommend that the machine is serviced on a bi-annual basis.

For a competitive quote please contact our service department.